

FITTINGS FOR TOUGHENED GLASS INTERNAL DOORS



MEDIO
STUDIO
JUNIOR

New standard for all Studio locks from week 4, 2015 | Adjustable handle follower +1,5/-1*
Low noise whisper functionality | Lock tested according to DIN EN 12209

*For all lock versions except "non locking locks - lever in front position"



CONTENTS



MEDIO
6 – 9



STUDIO RONDO
10 – 22

New lock insert



STUDIO CLASSIC
24 – 32

New lock insert

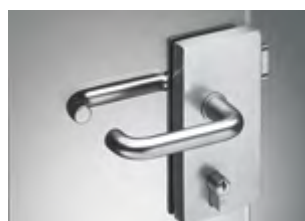


STUDIO GALA
34 – 42

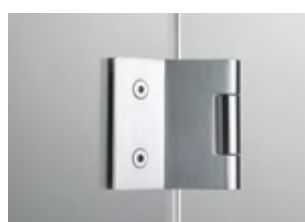
New lock insert



JUNIOR OFFICE
44–51



JUNIOR OFFICE CLASSIC
52 – 65



**SPEZIAL HINGES
ACCESSORIES**
66 – 76

FITTINGS FOR TOUGHENED GLASS INTERNAL DOORS OFFERING UNLIMITED POSSIBILITIES FOR YOU TO CHOOSE

No matter where you are thinking of installing internal glass doors; regardless of door design, door size or door type – locks, levers, hinges and accessories will meet all your technical, aesthetic and budget requirements.

Simple glass preparation, firm fixing

DORMA-Glas has long experience with constructional glass, and has developed the fittings so that the glass preparation is reduced to the quick and easy drilling of a few holes. The carefully thought out design provides maximum clamping area and optimum clamping action.

Reliable operation

Quality materials and robust construction are their own guarantee of an unsurpassed standard of durability and reliability.

Restricted use in swimming pools, saunas and brine baths

Due to chemicals (e. g. chlorine) that may occur in the air of swimming pools, saunas and brine baths the fittings are as a rule not suitable for use in such environments. If you intend to realise an application such as this nevertheless, we will be pleased to advise you further.

Features

Door weight, max. kg

Door width, max. mm

Frame depth, standard, mm

Lock and latch types

Low-noise “whisper” functionality

(Whisper latch = latch head partially plastic-sheated / damped latch motions)

Adjustable lever handle follower $\pm 1^\circ$ for avoidance of “lever handle sag” droop

Adjustable lever handle follower $\pm 1,5^\circ / -1^\circ$ for avoidance of “lever handle sag” droop**

Free adjustable force for lever handle spring - e.g. for optimization when using knobs instead of lever handles

Spring supported clamp follower

Non-locking latch

Non-locking latch, with levers forward

Prepared for Europrofile cylinder

External compliance approval to DIN EN 12209

Compliance approval to DIN EN 12209

Public building type DIN 18 251, Class 3

Prepared for KABA

Warded lever lock with nightlatch function

Warded lever lock without nightlatch function

Bathroom lock function

Strike box for double doors

Lock designs

With follower for door levers without roses

For door levers with roses

Hinge designs

For frame pivots

With frame pivot for aluminium frame

With frame pivot for timber frame

With frame pivot for steel frame

For project doors

For fixing to side panels

Page

*depending on the used door hinge. **For all lock versions except *non locking locks - lever in front position*

MEDIO

Unobtrusive restraint.

The MEDIO lock is small but perfectly formed. With its graceful straight lines, it blends in unobtrusively with any glass design.

Lock MEDIO

8

Frame pivots

40

Strike plates/Profile cylinder

40

Applications

9

Hinges

18 - 21, 31, 39, 49 - 51, 57 - 59

Special hinges

66 - 70

Door rails

71 - 73

Door bolts/Accessories

73 - 74

Mounting of door closers

75 - 76

Finishes and colours

78



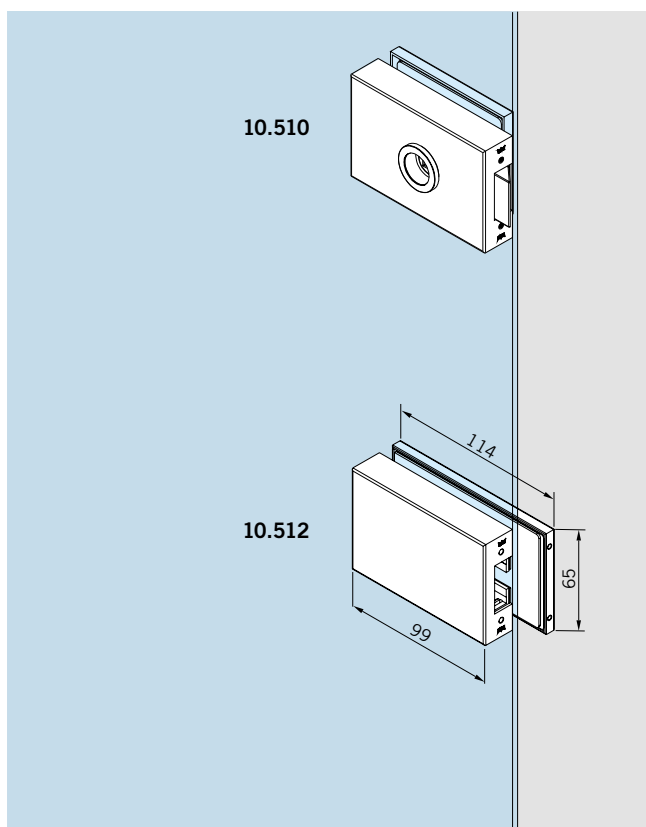
LOCKS WITH FOLLOWER

According to DIN 18251, class 3, according to type testing
(see page 4 – 5)

Locks for 8 mm glass thickness / 24 mm rebate depth,
10 mm glass thickness / 26 mm rebate depth resp.

Prepared for all levers without roses with 8 mm square spindles,
spindle length for 44 mm lock thickness and 18 mm \varnothing follower,
max. 8 mm long.

The hinges can be combined with hinges of one's one choice
(ARCOS Studio, ARCOS Office, Studio Rondo, Studio Classic,
Studio Gala, Junior Office und Junior Office Classic).



MEDIO lock,

non-locking

Art. No. 10.510

Weight in kg: alumin. 0.840

MEDIO strike box,

short

for pairs of doors

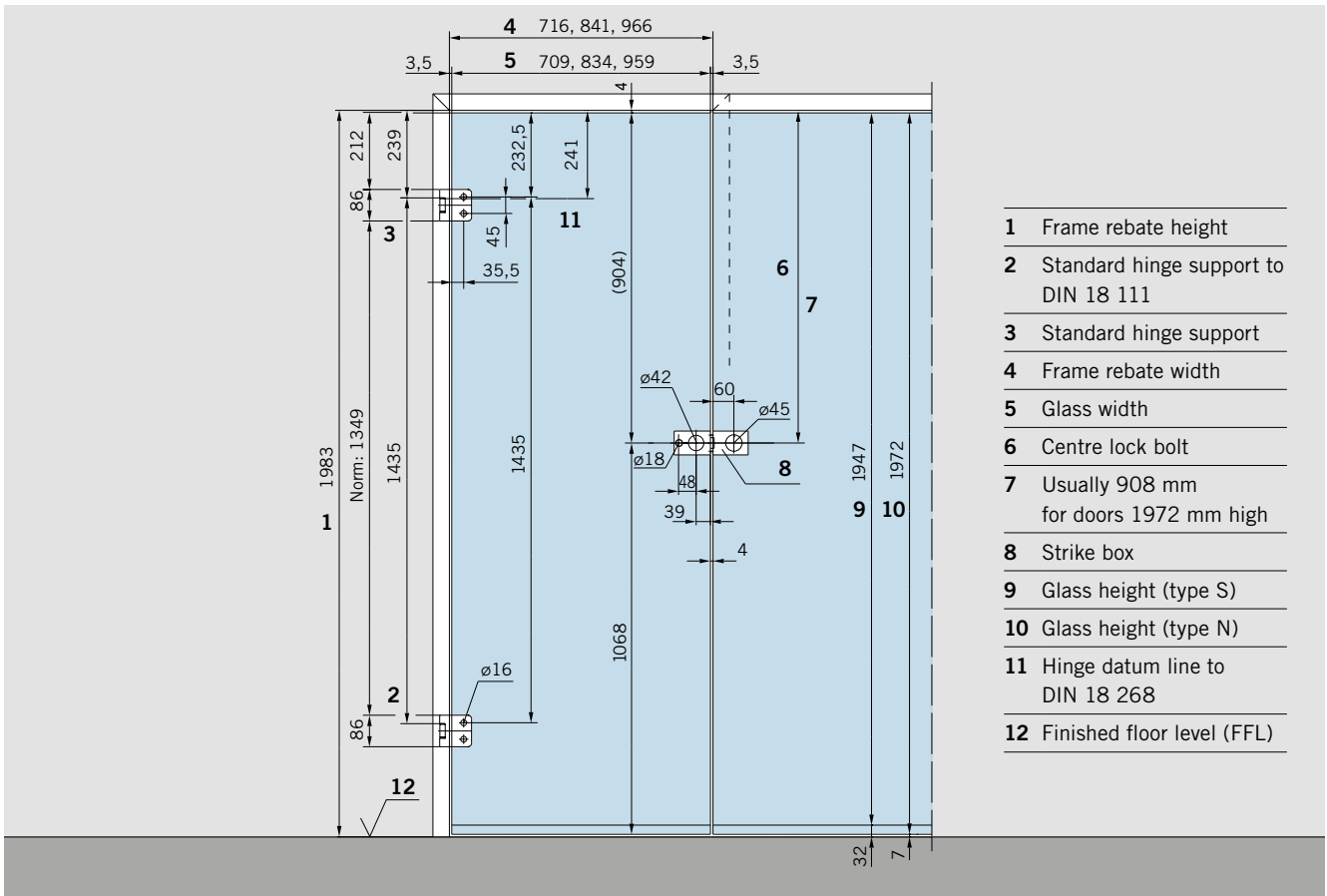
Art. No. 10.512

Weight in kg: alumin. 0.610

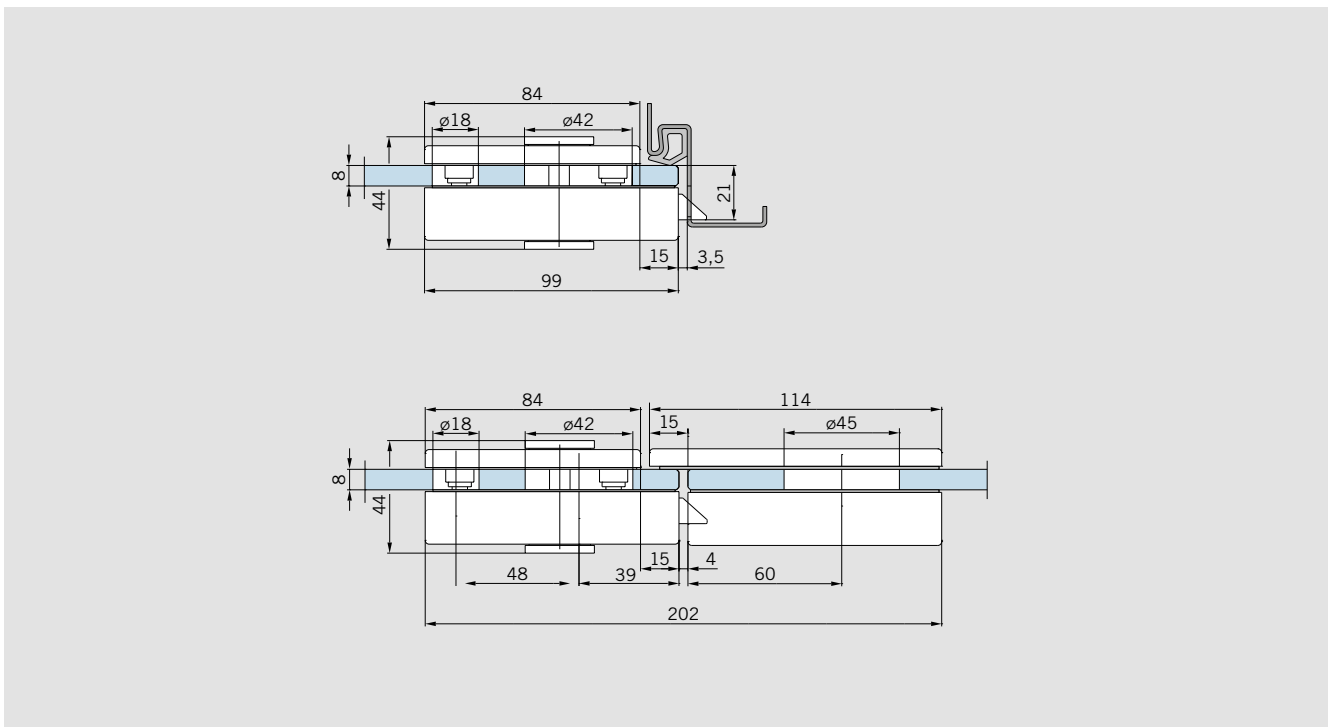
Sets of levers

see pages 22, 32, 39

CONSTRUCTION DIMENSIONS FOR FRAME PIVOTS (as to page 40)



SECTION MEDIO



STUDIO RONDO

Studio Rondo have a charm and neatness in their simple, uncluttered lines that serve to enhance the inherent beauty and character of tempered glass doors. The extended colour options provide a wide range of creations.

Lock Studio Rondo

12 – 17

Hinges

18 – 21

Sets of levers

22

Frame pivots

40

Strike plates / Profile cylinder

40

Applications

41 - 42

Special hinges

66 - 70

Door rails

71 – 73

Door bolts/Accessories

73 – 74

Mounting of door closers

75 – 76

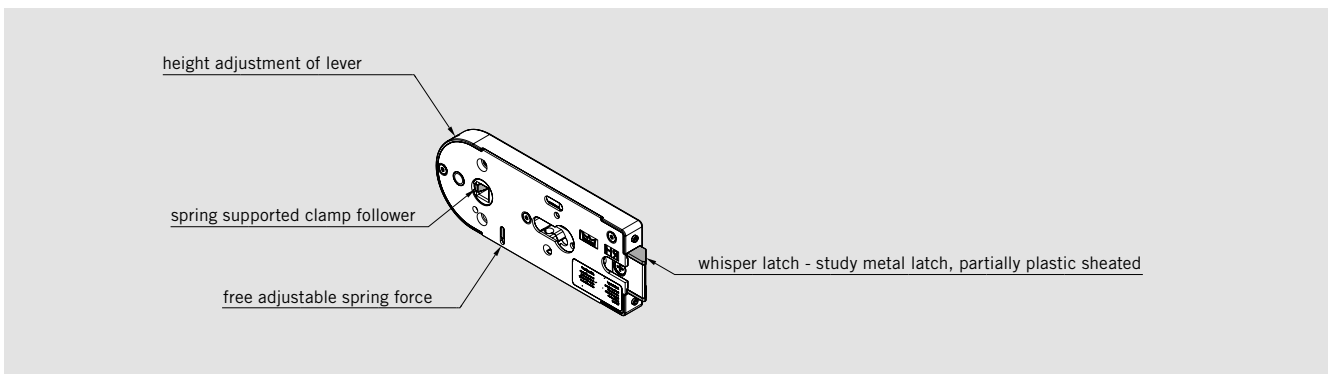
Finishes and colours

78

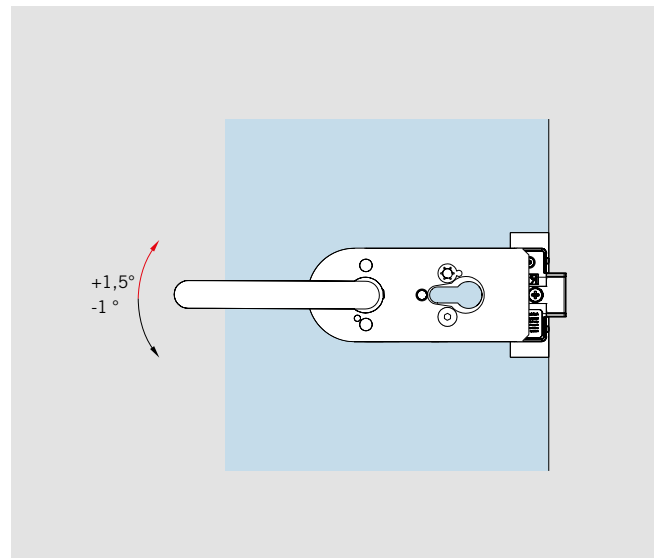
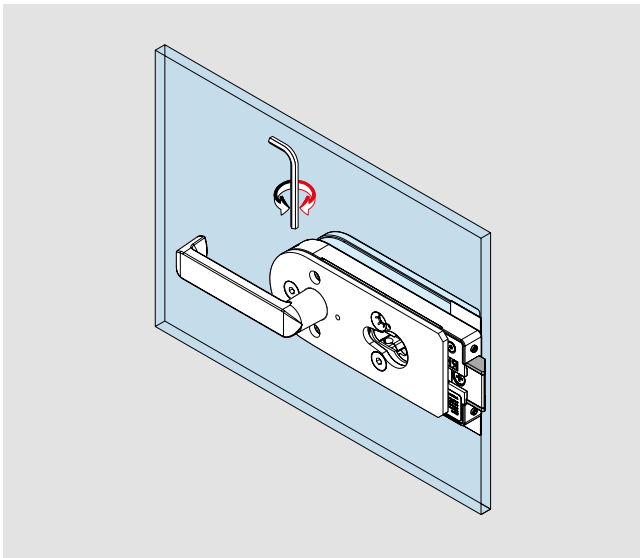


NEW TECHNICAL FEATURES

- Adjustable lever handle follower $+1,5^\circ/-1^\circ$, for avoidance of “ lever handle sag” (droop).*
- Lock insert with low-noise “whisper” functionality as standard. The whisper latch (study metal latch – partially plastics-sheathed and damped latch motions for noise minimisation) satisfy particularly high expectations, including the requirements of government agencies and public authorities.
- A special spring supported clamp follower holds the lever handle perfectly secure.
- The fully closed lock case provides optimum protection for the internal components which themselves are of rugged unit construction.
- Locks comply to the current DIN EN 12209. They are designed for use in public buildings.
- Locks were tested successfully with 200,000 latch and locking bolt operating cycles.
- Integrated spring-strength reduction (free adjustable) – e.g. for optimization when using knobs instead of lever handles.



Height adjustment of lever



*For all lock versions except "non locking locks - lever in front position"

COMPLETE DOORSETS FOR 8 AND 10 MM GLASS THICKNESS, LOCKS WITH FOLLOWER

Complying to DIN EN 12209.

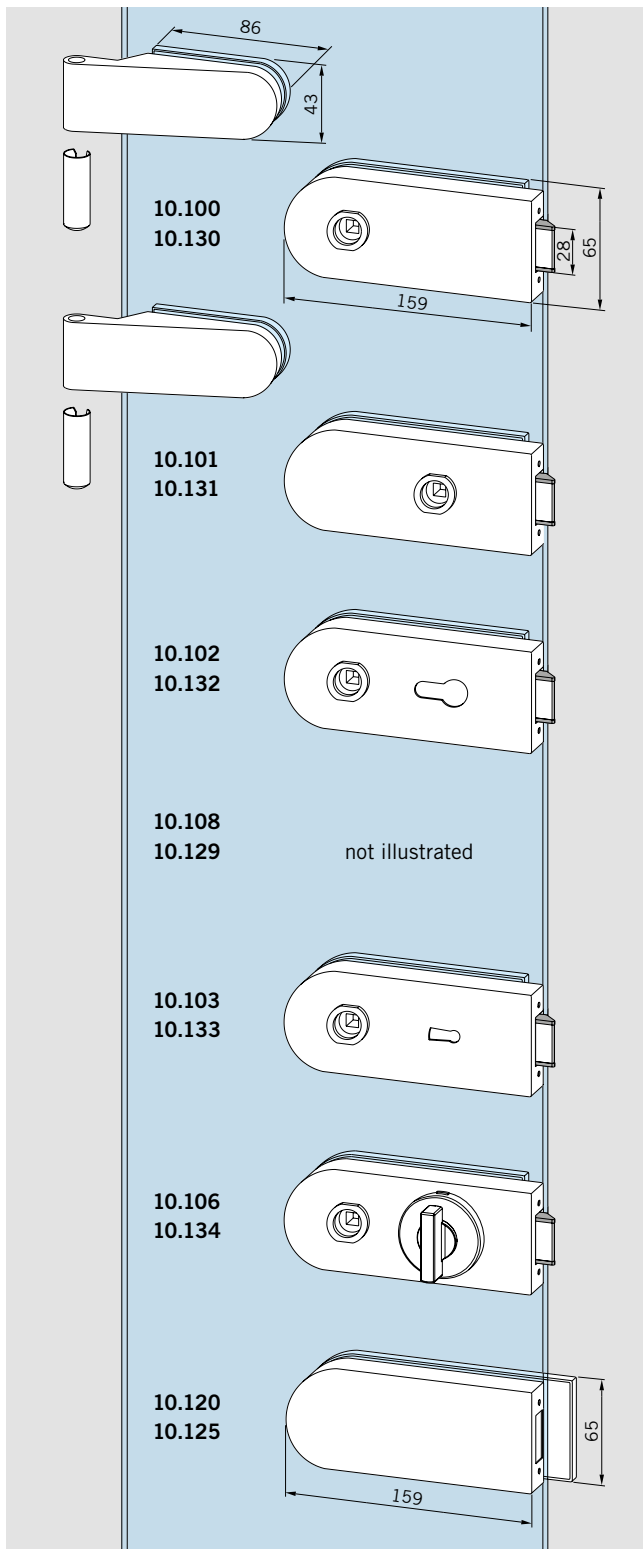
Door weight max. 45 kg, door width max. 1000 mm.

Rebate depth 24 mm (for 8 mm glass thickness),

26 mm (for 10 mm glass thickness)

Prepared for all levers without roses with 8 mm square spindles, spindle length for 44 mm lock thickness and 18 mm \varnothing follower, max. 8 mm long.

Hinges also to suit doors with no over-rebate and prepared for rebate depth 28 – 40 mm see page 15 and following.



Lock with 2 hinges,
non-locking lock,
hinges with sleeves,
extended colour options

8 mm glass thickness

Art. No. 10.100

10 mm glass thickness

Art. No. 10.130

Weight in kg: alumin. 1.580

brass 2.485

Lock with 2 hinges,
non-locking lock
for lever forward,
hinges with sleeves,
extended colour options

8 mm glass thickness

Art. No. 10.101

10 mm glass thickness

Art. No. 10.131

Weight in kg: alumin. 1.625

brass 2.505

Lock with 2 hinges,
lock prepared for Europrofile
cylinder, nightlatch function,
hinges with sleeves,
extended colour options

8 mm glass thickness

Art. No. 10.102

10 mm glass thickness

Art. No. 10.132

Weight in kg: alumin. 1.565

brass 2.465

Lock with 2 hinges,
lock prepared for KABA,
nightlatch function,
hinges with sleeves,
extended colour options

8 mm glass thickness

Art. No. 10.108

10 mm glass thickness

Art. No. 10.129

Weight in kg: alumin. 1.563

Lock with 2 hinges,
lever lock, nightlatch
function, 2 keys supplied, hin-
ges with sleeves,
extended colour options

8 mm glass thickness

Art. No. 10.103

10 mm glass thickness

Art. No. 10.133

Weight in kg: alumin. 1.630

brass 2.530

Lock with 2 hinges,
WC-toilet door, hinges with
sleeves, extended colour
options

8 mm glass thickness

Art. No. 10.106

10 mm glass thickness

Art. No. 10.134

Weight in kg: alumin. 1.745

brass 2.755

Strike box with 2 hinges,
for pairs of doors,
hinges with sleeves,
extended colour options

8 mm glass thickness

Art. No. 10.120

10 mm glass thickness

Art. No. 10.125

Weight in kg: alumin. 1.380

brass 2.295

COMPLETE DOORSETS FOR 8 AND 10 MM GLASS THICKNESS, LOCKS FOR LEVERS WITH ROSES

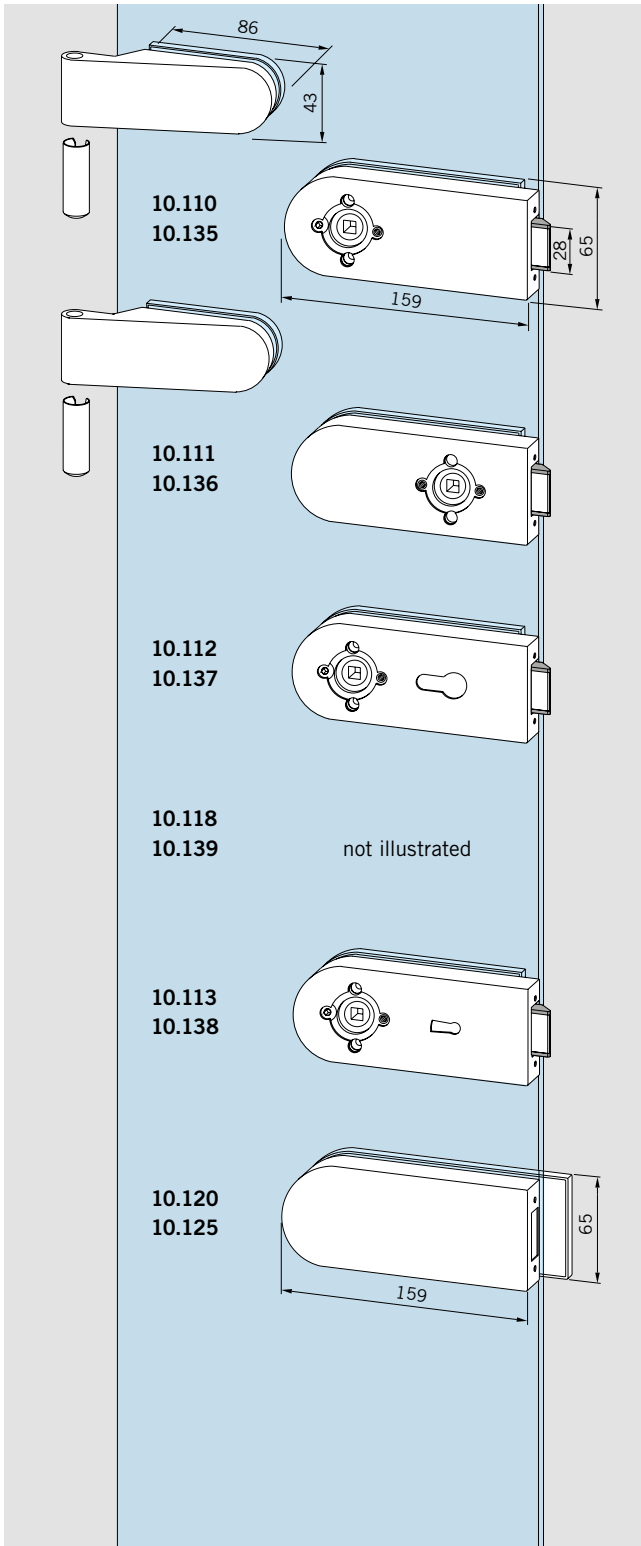
Complying to DIN EN 12209.

Door weight max. 45 kg, door width max. 1000 mm.

Rebate depth 24 mm (for 8 mm glass thickness),

26 mm (for 10 mm glass thickness)

Hinges also to suit doors with no over-rebate and prepared for rebate depth 28 – 40 mm see page 15 and following.



Lock with 2 hinges,
non-locking lock,
hinges with sleeves

8 mm glass thickness

Art. No. 10.110

10 mm glass thickness

Art. No. 10.135

Weight in kg: alumin. 1.580

Lock with 2 hinges,
non-locking lock
for lever forward,
hinges with sleeves

8 mm glass thickness

Art. No. 10.111

10 mm glass thickness

Art. No. 10.136

Weight in kg: alumin. 1.585

Lock with 2 hinges,
lock prepared for Europrofile
cylinder, nightlatch function,
hinges with sleeves

8 mm glass thickness

Art. No. 10.112

10 mm glass thickness

Art. No. 10.137

Weight in kg: alumin. 1.565

Lock with 2 hinges,
lock prepared for KABA,
nightlatch function,
hinges with sleeves

8 mm glass thickness

Art. No. 10.118

10 mm glass thickness

Art. No. 10.139

Weight in kg: alumin. 1.563

Lock with 2 hinges,
lever lock, nightlatch
function, 2 keys supplied, hin-
ges with sleeves

8 mm glass thickness

Art. No. 10.113

10 mm glass thickness

Art. No. 10.138

Weight in kg: alumin. 1.575

Strike box with 2 hinges,
for pairs of doors,
hinges with sleeves

8 mm glass thickness

Art. No. 10.120

10 mm glass thickness

Art. No. 10.125

Weight in kg: alumin. 1.380

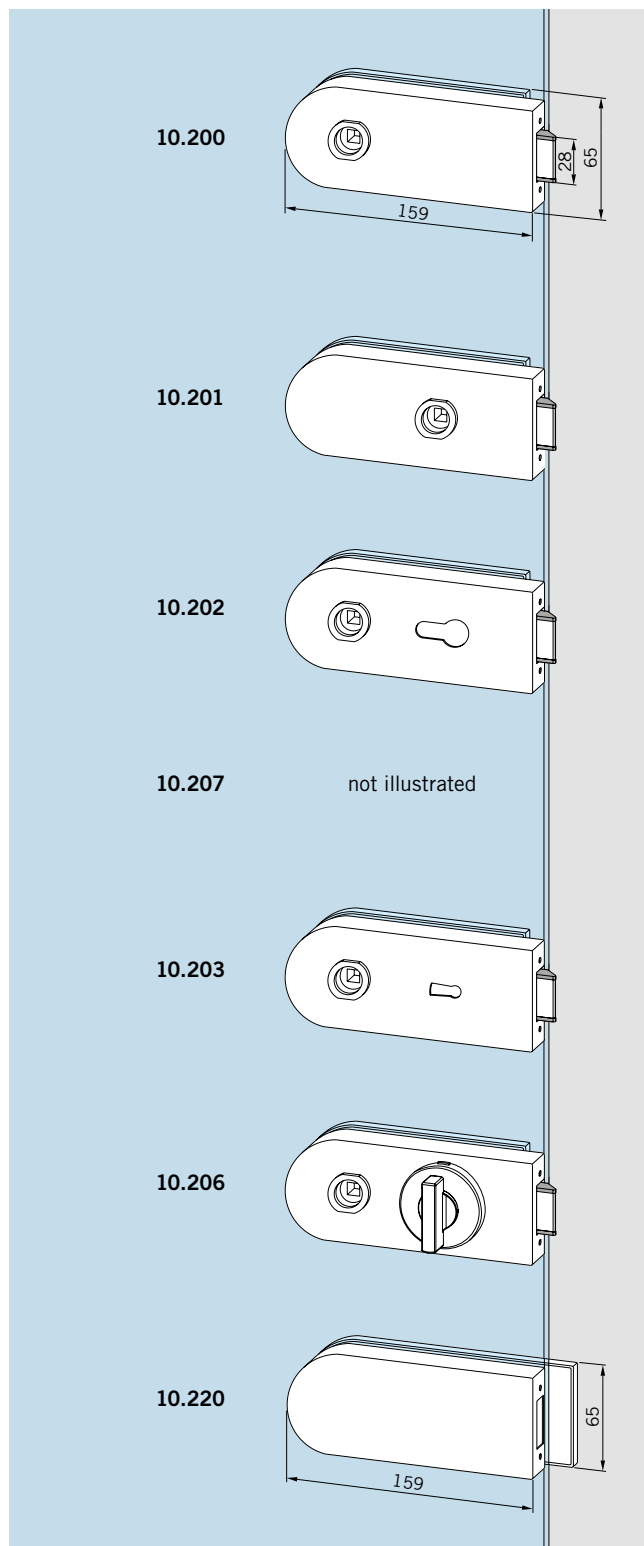
LOCKS WITH FOLLOWER

Complying to DIN EN 12209.

Locks for 8 mm glass thickness / 24 mm rebate depth,
10 mm glass thickness / 26 mm rebate depth resp.

Prepared for all levers without roses with 8 mm square spindles,
spindle length for 44 mm lock thickness and 18 mm \varnothing follower,
max. 8 mm long.

Hinges also to suit doors with no over-rebate and prepared
for rebate depth 28 – 40 mm see page 13 and following.



Lock,
non-locking, extended colour
options

Art. No. 10.200
Weight in kg: alumin. 0.840
brass 1.055

Lock,
non-locking, with follower
forward, extended colour options

Art. No. 10.201
Weight in kg: alumin. 0.845
brass 1.055

Lock,
prepared for Europrofile
cylinder, nightlatch function,
extended colour options

Art. No. 10.202
Weight in kg: alumin. 0.815
brass 1.030

Lock,
prepared for KABA, nightlatch
function, extended colour options

Art. No. 10.207
Weight in kg: alumin. 0.813

Lock,
lever lock, nightlatch function,
2 keys supplied, extended
colour options

Art. No. 10.203
Weight in kg: alumin. 0.850
brass 1.090

Lock,
WC-toilet door, extended colour
options

Art. No. 10.206
Weight in kg: alumin. 1.106
brass 1.398

Strike box,
for pairs of doors, extended
colour options

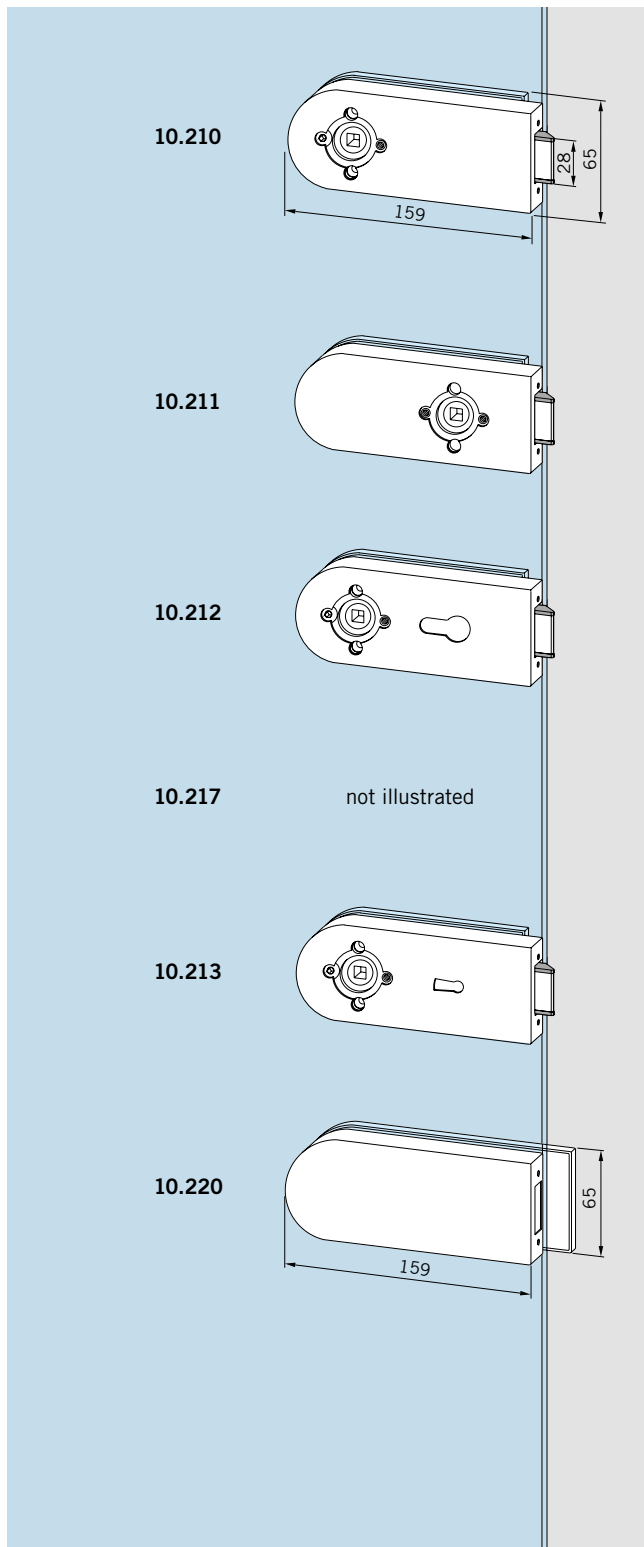
Art. No. 10.220
Weight in kg: alumin. 0.610
brass 0.903

LOCKS FOR LEVERS WITH ROSES

Complying to DIN EN 12209.

Locks for 8 mm glass thickness / 24 mm rebate depth,
10 mm glass thickness / 26 mm rebate depth resp.

Hinges also to suit doors with no over-rebate and prepared for rebate depth 28 – 40 mm see page 13 and following.



Lock,
non-locking, extended colour options
Art. No. 10.210
Weight in kg: alumin. 1.580
brass 2.485

Lock,
non-locking, with follower forward, extended colour options
Art. No. 10.211
Weight in kg: alumin. 1.625
brass 2.505

Lock,
prepared for Europrofile cylinder, nightlatch function, extended colour options
Art. No. 10.212
Weight in kg: alumin. 1.565
brass 2.465

Lock,
prepared for KABA, nightlatch function, extended colour options
Art. No. 10.217
Weight in kg: alumin. 0.810

Lock,
lever lock, nightlatch function, 2 keys supplied, extended colour options
Art. No. 10.213
Weight in kg: alumin. 1.630
brass 2.530

Strike box,
for pairs of doors, extended colour options
Art. No. 10.220
Weight in kg: alumin. 0.610
brass 0.903

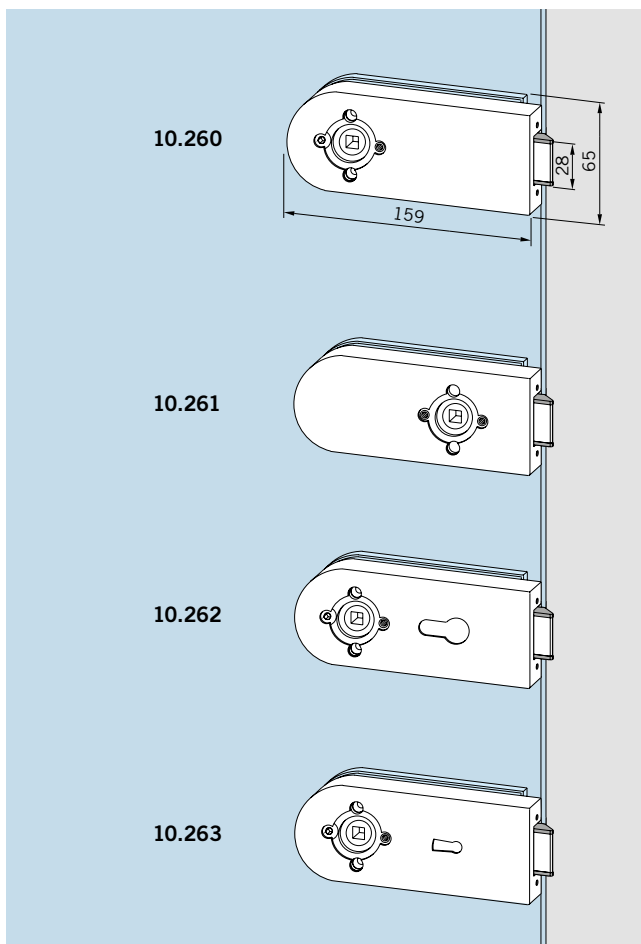
LOCKS, PREPARED FOR D-LINE LEVERS WITH ROSES

Complying to DIN EN 12209.

Locks for 8 mm glass thickness / 24 mm rebate depth,
10 mm glass thickness / 26 mm rebate depth resp.

Lever on site. Please specify exact lock type when ordering lever at your supplier and left or right hand application.

Hinges also to suit doors with no over-rebate and prepared for rebate depth 28 – 40 mm see page 13 and following.



Lock,
non-locking, extended colour
options

Art. No. 10.260
Weight in kg: alumin. 0.840
brass 1.055

Lock,
non-locking, with follower
forward, extended colour options

Art. No. 10.261
Weight in kg: alumin. 0.845

Lock,
prepared for Europrofile
cylinder, nightlatch function,
extended colour options

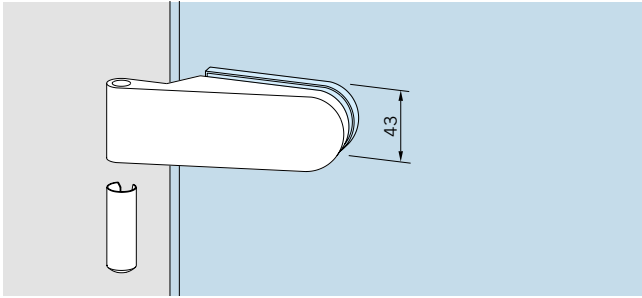
Art. No. 10.262
Weight in kg: alumin. 0.815
brass 1.030

Lock,
lever lock, nightlatch function,
2 keys supplied, extended
colour options

Art. No. 10.263
Weight in kg: alumin. 0.850

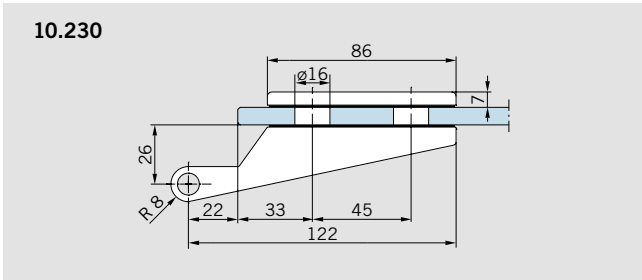
HINGES FOR 8 MM GLASS THICKNESS

Door width max. 1000 mm



Hinge with frame pivot,
complete with sleeve,
to suit rebate depth 20 mm,
extended colour options
door weight max. 45 kg

Art. No. 10.230
Weight in kg: alumin. 0.319
brass 0.688



Hinge with frame pivot,
complete with sleeve, to suit
rebate depth 28 – 30 mm,
door weight max. 38 kg

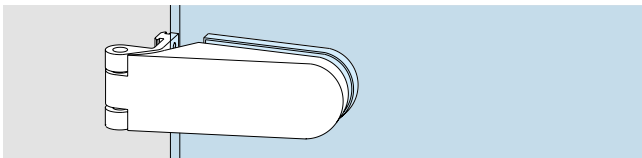
Art. No. 10.233 (not illustr.)
Weight in kg: alumin. 0.336
brass 0.806

Filler piece with screws
for rebate depth 31 – 39 mm,
(please indicate),
door weight max. 38 kg, used in
combination with hinge 10.230

Art. No. 10.420 (not illustr.)
Weight in kg: alumin. 0.144

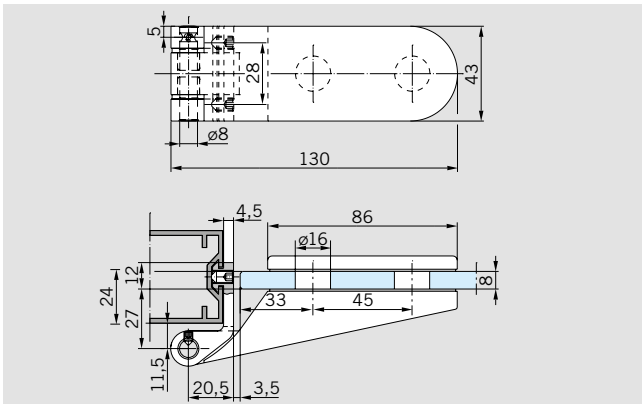
Hinge with frame pivot,
complete with sleeve and filler
piece to suit 40 mm rebate
depth, door weight max. 38 kg

Art. No. 10.234 (not illustr.)
Weight in kg: alumin. 0.486



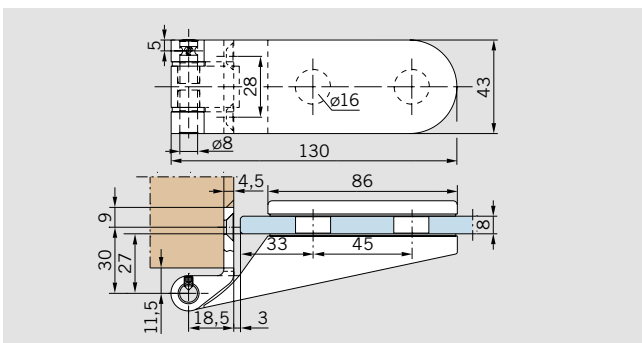
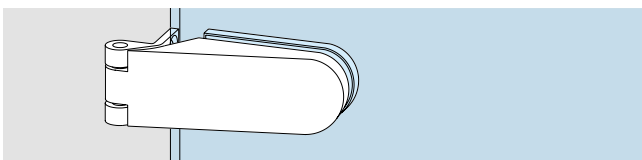
**Hinge with frame pivot for
aluminium frames,**
stainless steel pin,
door weight max. 35 kg

Art. No. 10.231
Weight in kg: alumin. 0.329



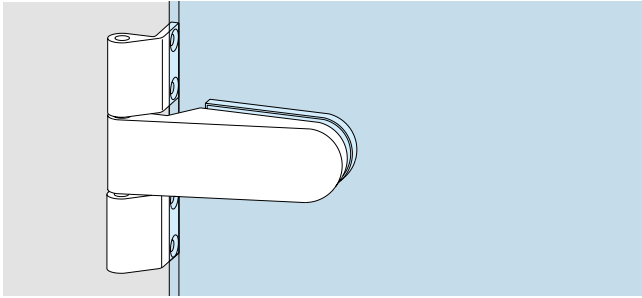
**Hinge with frame pivot for
wooden frames,**
hinge flap for mortising into
frame, stainless steel pin,
door weight max. 35 kg

Art. No. 10.232
Weight in kg: alumin. 0.321



HINGES FOR 8 MM GLASS THICKNESS

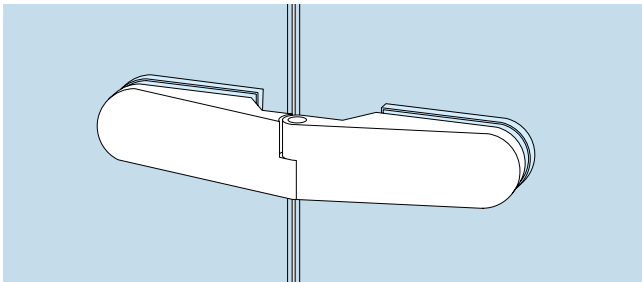
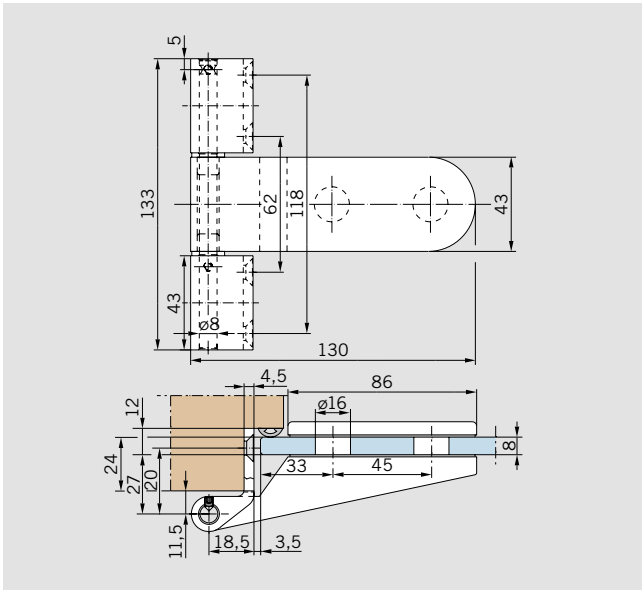
Door width max. 1000 mm



Strengthened hinge with frame pivot for wooden frames,
hinge flap for mortising into frame, stainless steel pin,
door weight max. 45 kg

Art. No. 10.235

Weight in kg: alumin. 0.433

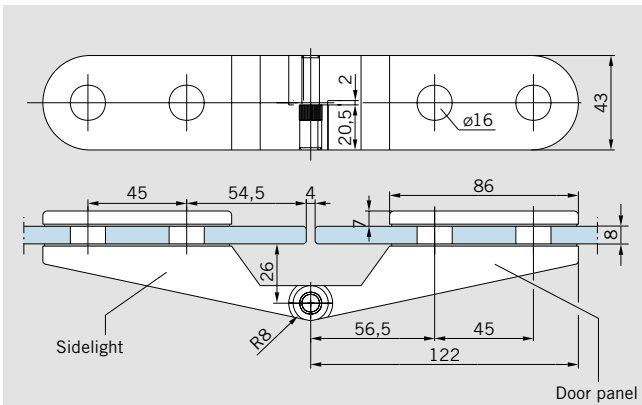


Hinge for mounting onto sidelight,
stainless steel pin,
door weight max. 35 kg

Art. No. 10.244 L (as illustr.)

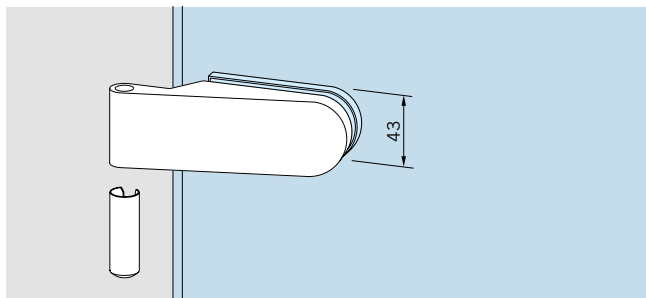
Art. No. 10.246 R

Weight in kg: alumin. 0.557



HINGES FOR 10 MM GLASS THICKNESS

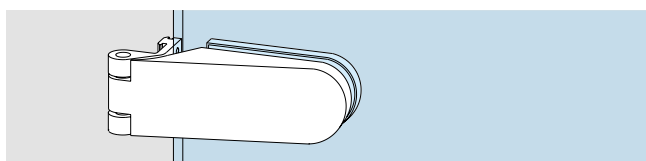
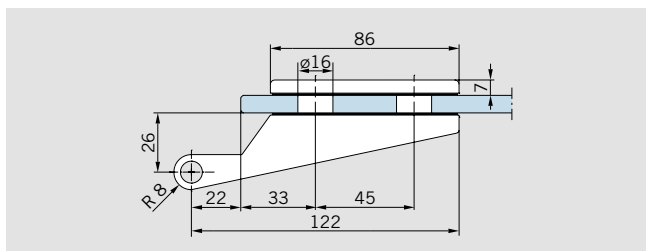
Door width max. 1000 mm



Hinge with frame pivot,
complete with sleeve,
rebate depth 26 mm,
extended colour options,
door weight max. 45 kg

Art. No. 10.236

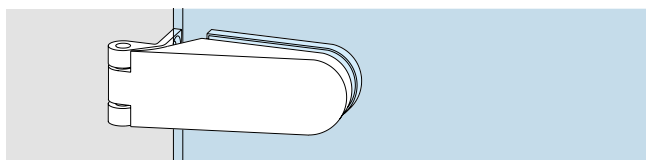
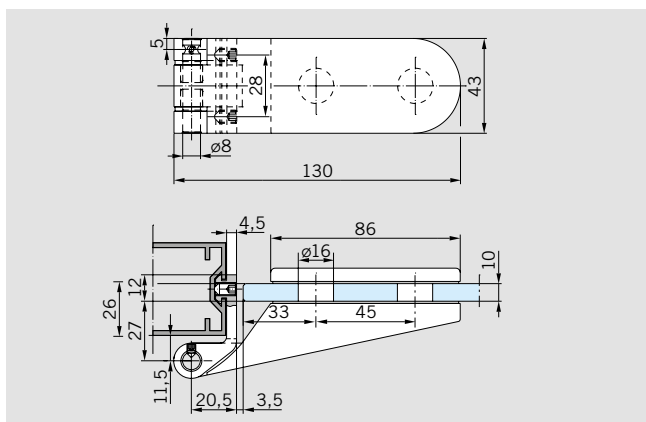
Weight in kg: alumin. 0.319
brass 0.688



Hinge with frame pivot for aluminium frames,
stainless steel pin,
door weight max. 35 kg

Art. No. 10.237

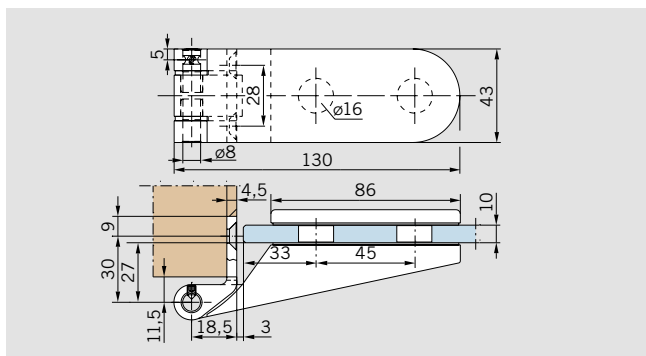
Weight in kg: alumin. 0.329



Hinge with frame pivot for wooden frames,
hinge flap for mortising into frame, stainless steel pin,
door weight max. 35 kg

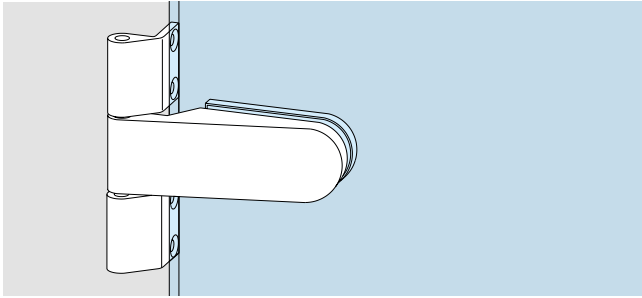
Art. No. 10.238

Weight in kg: alumin. 0.321



HINGES FOR 10 MM GLASS THICKNESS

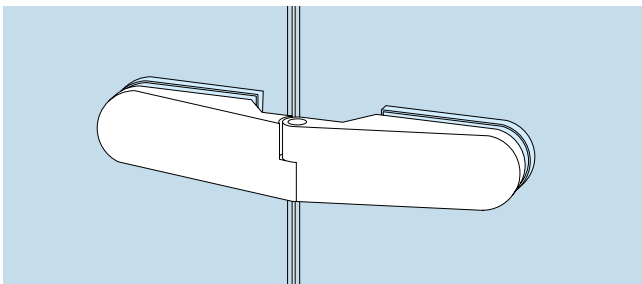
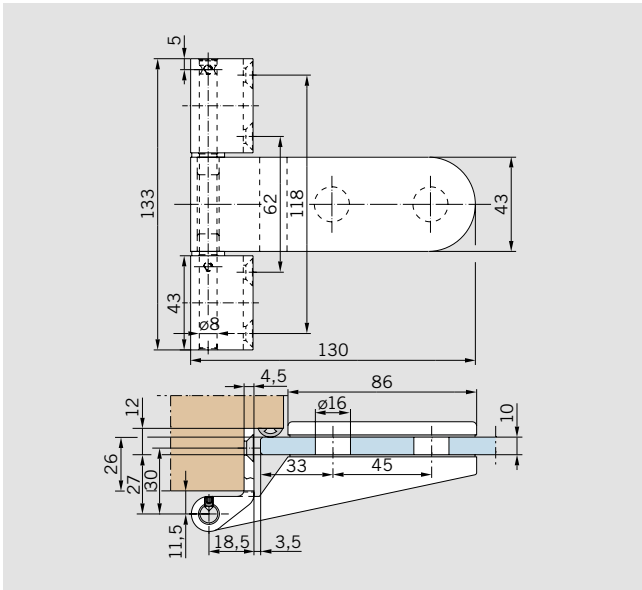
Door width max. 1000 mm



Strengthened hinge with frame pivot for wooden frames,
hinge flap for mortising into frame, stainless steel pin,
door weight max. 45 kg

Art. No. 10.239

Weight in kg: alumin. 0.433

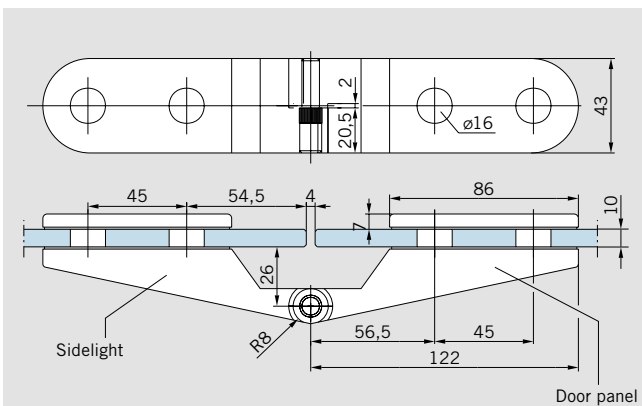


Hinge for mounting onto sidelight,
stainless steel pin,
door weight max. 35 kg

Art. No. 10.245 L (as illustr.)

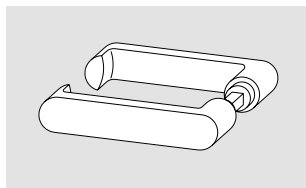
Art. No. 10.247 R

Weight in kg: alumin. 0.557

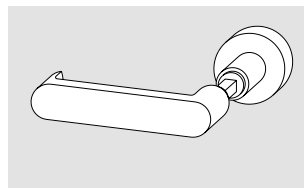


Note: Opening angle max. 100°

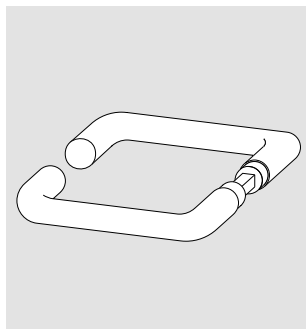
SETS OF LEVERS FOR LOCKS WITH FOLLOWER



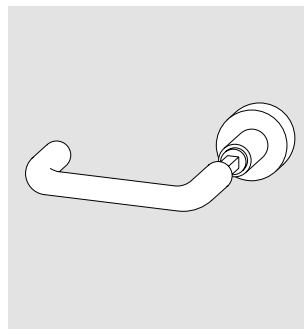
Set of levers, with flat hand part, extended colour options
Art. No. 10.314
 Weight in kg: alumin. 0.290
 brass 0.760



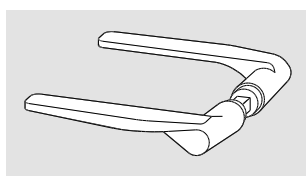
Lever and knob set, lever with flat hand part, fixed knob, for use with nightlatch function locks
Art. No. 10.304
 Weight in kg: alumin. 0.270



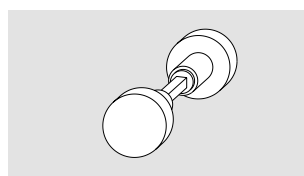
Set of levers, tubular, for follower
Art. No. 10.301
 Weight in kg: alumin. 0.320
 brass 0.450



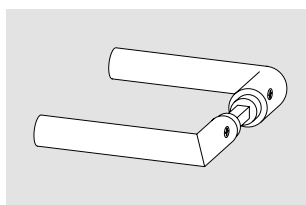
Lever and knob set, tubular lever with free turning knob (turning without function)
Art. No. 10.316
 Weight in kg: alumin. 0.335



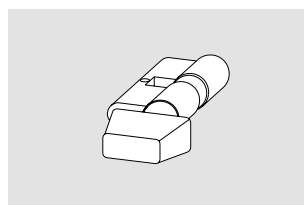
Set of levers, with cantilevered hand part
Art. No. 10.300
 Weight in kg: brass 0.650



Set of knobs, turning knob
Art. No. 10.305
 Weight in kg: alumin. 0.255

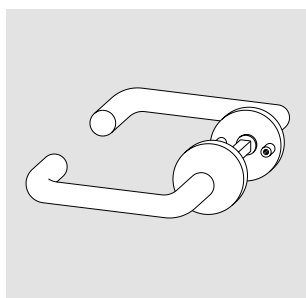


Set of levers, Junior levers – stainless steel
Art. No. 11.299
 Weight in kg: stainless steel 0.336

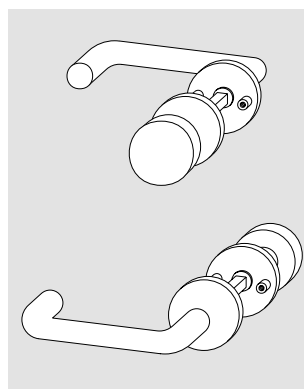


Thumbturn cylinders (WC), for locks prepared for Euro-profile cylinder, thumbturn in aluminium, extended colour options
Art. No. 10.310
 Weight in kg: 0.225

SETS OF LEVERS FOR LOCKS PREPARED FOR LEVERS WITH ROSES



Set of levers, tubular, with roses
Art. No. 10.307
 Weight in kg: alumin. 0.320



Lever and knob set, tubular lever with fixed knob, with roses
Art. No. 10.318
 Weight in kg: alumin. 0.400

Set of levers, tubular, with roses, with stainless steel square drive
Art. No. 10.325
 Weight in kg: alumin. 0.382

Lever and knob set, tubular lever with knob, with roses
Art. No. 10.319
 Weight in kg: alumin. 0.400

Further sets of levers see pages 22, 32, 39, 49, 57.

STUDIO CLASSIC

Studio Classic fits perfectly into functional designed surroundings, and with its slim shape it underlines the appearance of glass interior doors.

Lock Studio Classic

26 – 30

Hinges

31

Sets of levers

32

Frame pivots

40

Strike plates / Profile cylinder

40

Applications

41 - 42

Special hinges

66 - 70

Door rails

71 – 73

Door bolts/Accessories

73 – 74

Mounting of door closers

75 – 76

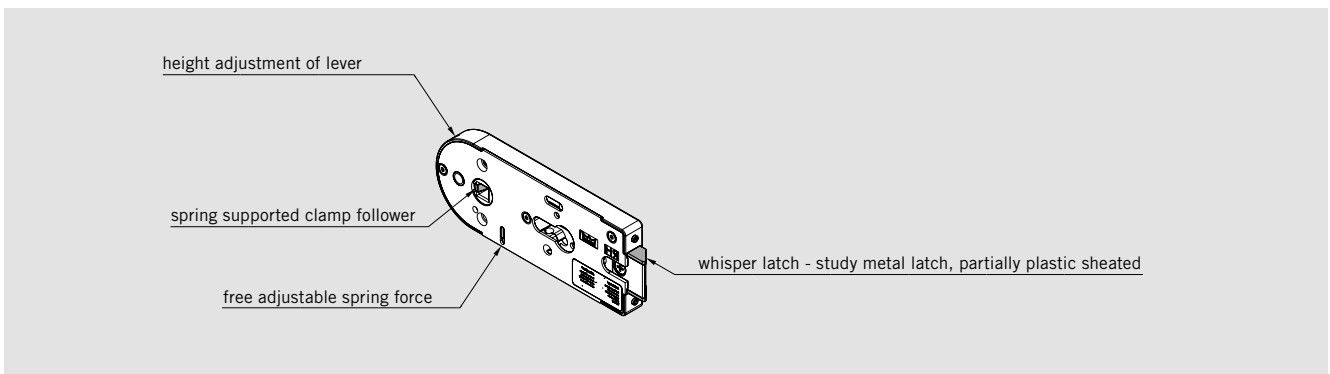
Finishes and colours

78

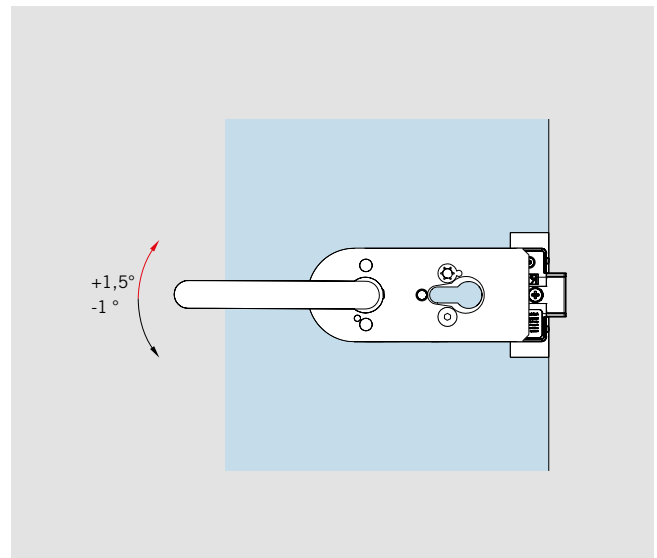
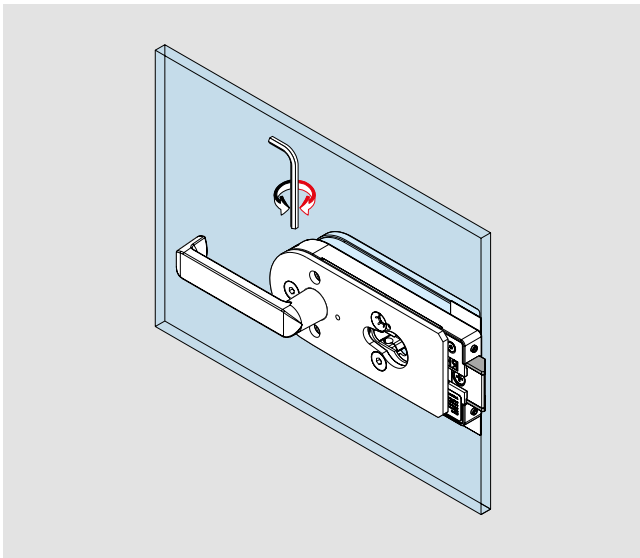


NEW TECHNICAL FEATURES

- Adjustable lever handle follower $+1,5^\circ/-1^\circ$, for avoidance of “ lever handle sag” (droop).*
- Lock insert with low-noise “whisper” functionality as standard. The whisper latch (study metal latch – partially plastics-sheathed and damped latch motions for noise minimisation) satisfy particularly high expectations, including the requirements of government agencies and public authorities.
- A special spring supported clamp follower holds the lever handle perfectly secure.
- The fully closed lock case provides optimum protection for the internal components which themselves are of rugged unit construction.
- Locks comply to the current DIN EN 12209. They are designed for use in public buildings.
- Locks were tested successfully with 200,000 latch and locking bolt operating cycles.
- Integrated spring-strength reduction (free adjustable) – e.g. for optimization when using knobs instead of lever handles.



Height adjustment of lever



*For all lock versions except "non locking locks - lever in front position"

COMPLETE DOORSETS FOR 8 AND 10 MM GLASS THICKNESS, LOCKS WITH FOLLOWER

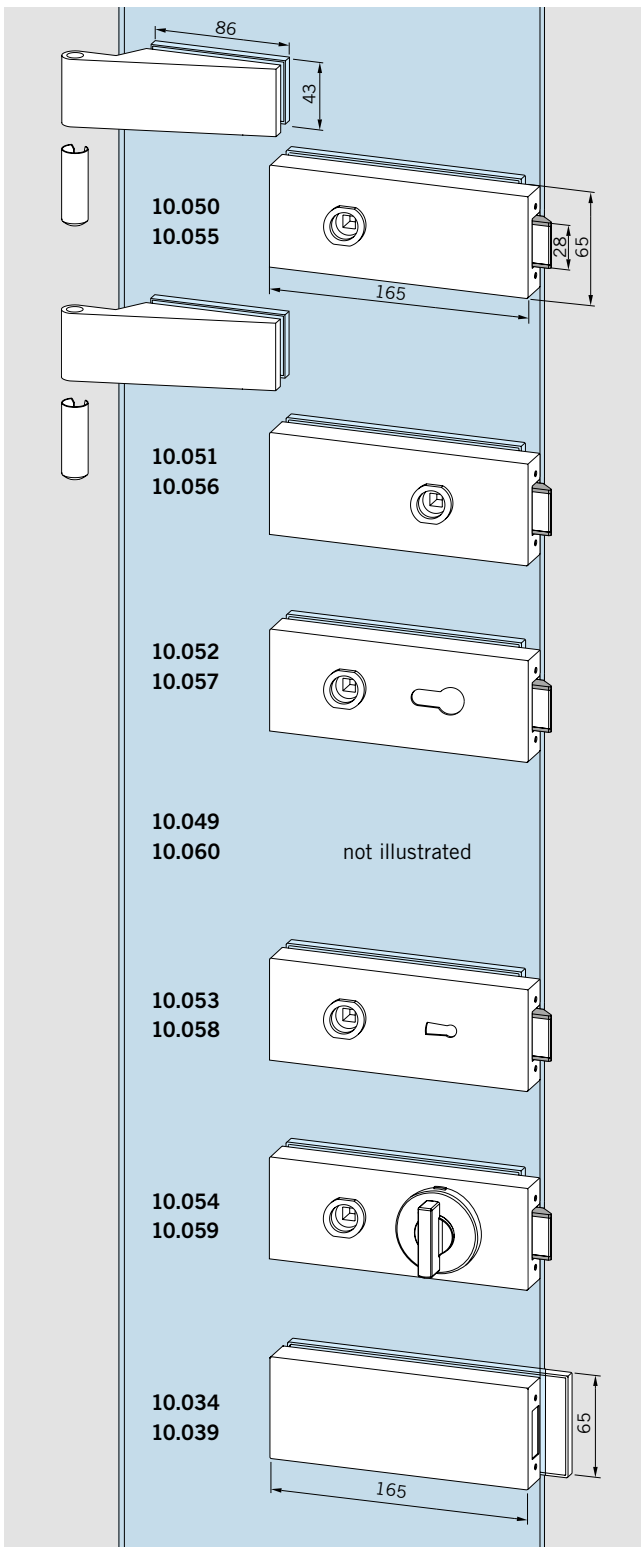
Complying to DIN EN 12209.

Door weight max. 45 kg, door width max. 1000 mm.

Rebate depth 24 mm (for 8 mm glass thickness),

26 mm (for 10 mm glass thickness)

Prepared for all levers without roses with 8 mm square spindles, spindle length for 44 mm lock thickness and 18 mm Ø follower, max. 8 mm long.



Lock with 2 hinges,
non-locking lock,
hinges with sleeves

8 mm glass thickness

Art. No. 10.050

10 mm glass thickness

Art. No. 10.055

Weight in kg: alumin. 1.580

Lock with 2 hinges,
non-locking lock with
follower forward,
hinges with sleeves

8 mm glass thickness

Art. No. 10.051

10 mm glass thickness

Art. No. 10.056

Weight in kg: alumin. 1.625

Lock with 2 hinges,
lock prepared for Europrofile
cylinder, nightlatch function,
hinges with sleeves

8 mm glass thickness

Art. No. 10.052

10 mm glass thickness

Art. No. 10.057

Weight in kg: alumin. 1.565

Lock with 2 hinges,
lock prepared for KABA,
nightlatch function,
hinges with sleeves

8 mm glass thickness

Art. No. 10.049

10 mm glass thickness

Art. No. 10.060

Weight in kg: alumin. 1.563

Lock with 2 hinges,
lever lock, nightlatch function,
2 keys supplied,
hinges with sleeves

8 mm glass thickness

Art. No. 10.053

10 mm glass thickness

Art. No. 10.058

Weight in kg: alumin. 1.630

Lock with 2 hinges,
WC-toilet door,
hinges with sleeves

8 mm glass thickness

Art. No. 10.054

10 mm glass thickness

Art. No. 10.059

Weight in kg: alumin. 1.721

Strike box with 2 hinges,
for pairs of doors,
hinges with sleeves

8 mm glass thickness

Art. No. 10.034

10 mm glass thickness

Art. No. 10.039

Weight in kg: alumin. 1.380

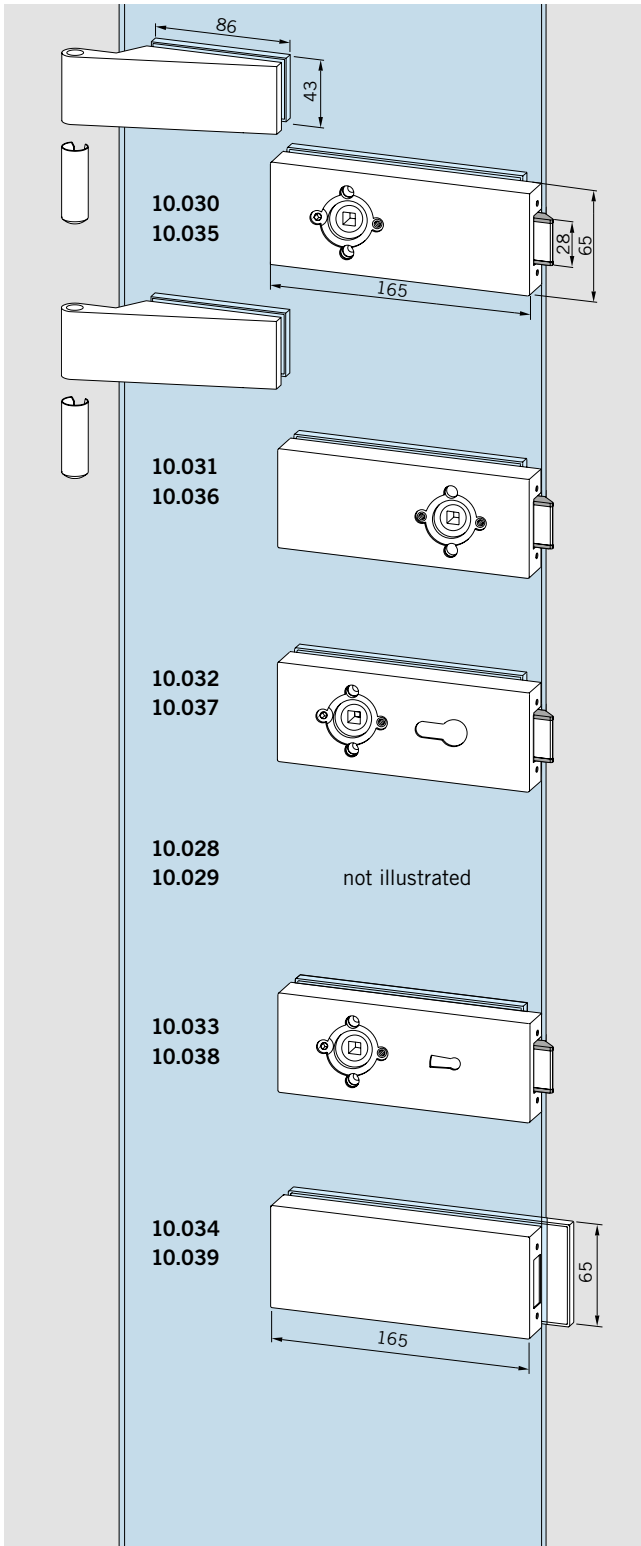
COMPLETE DOORSETS FOR 8 AND 10 MM GLASS THICKNESS, LOCKS FOR LEVERS WITH ROSES

Complying to DIN EN 12209.

Door weight max. 45 kg, door width max. 1000 mm.

Rebate depth 24 mm (for 8 mm glass thickness),

26 mm (for 10 mm glass thickness)



Lock with 2 hinges,
non-locking lock,
hinges with sleeves

8 mm glass thickness

Art. No. 10.030

10 mm glass thickness

Art. No. 10.035

Weight in kg: alumin. 1.580

Lock with 2 hinges,
non-locking lock
for lever forward,
hinges with sleeves

8 mm glass thickness

Art. No. 10.031

10 mm glass thickness

Art. No. 10.036

Weight in kg: alumin. 1.585

Lock with 2 hinges,
lock prepared for Europrofile
cylinder, nightlatch function,
hinges with sleeves

8 mm glass thickness

Art. No. 10.032

10 mm glass thickness

Art. No. 10.037

Weight in kg: alumin. 1.565

Lock with 2 hinges,
lock prepared for KABA,
nightlatch function,
hinges with sleeves

8 mm glass thickness

Art. No. 10.028

10 mm glass thickness

Art. No. 10.029

Weight in kg: alumin. 1.563

Lock with 2 hinges,
lever lock, nightlatch
function, 2 keys supplied, hin-
ges with sleeves

8 mm glass thickness

Art. No. 10.033

10 mm glass thickness

Art. No. 10.038

Weight in kg: alumin. 1.575

Strike box with 2 hinges,
for pairs of doors,
hinges with sleeves

8 mm glass thickness

Art. No. 10.034

10 mm glass thickness

Art. No. 10.039

Weight in kg: alumin. 1.380

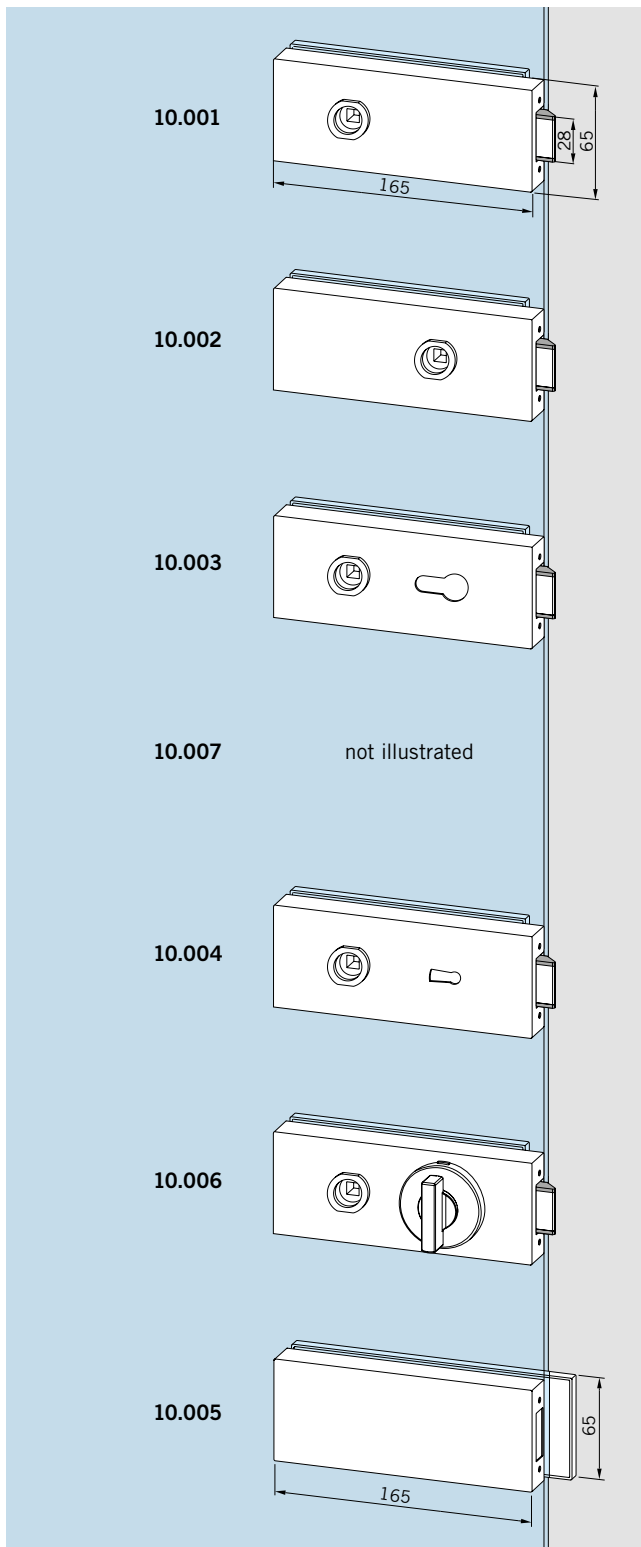
LOCKS WITH FOLLOWER

Complying to DIN EN 12209.

Locks for 8 mm glass thickness / 24 mm rebate depth,
10 mm glass thickness / 26 mm rebate depth resp.

Prepared for all levers without roses with 8 mm square spindles,
spindle length for 44 mm lock thickness and 18 mm \varnothing follower,
max. 8 mm long.

Hinges see page 31.



Lock,
non-locking,

Art. No. 10.001

Weight in kg: alumin. 0.840

Lock,
non-locking, with follower
forward

Art. No. 10.002

Weight in kg: alumin. 0.845

Lock,
prepared for Europrofile
cylinder, nightlatch function

Art. No. 10.003

Weight in kg: alumin. 0.815

Lock,
prepared for KABA, nightlatch
function

Art. No. 10.207

Weight in kg: alumin. 0.813

Lock,
lever lock, nightlatch function,
2 keys supplied

Art. No. 10.004

Weight in kg: alumin. 0.850

Lock,
WC-toilet door

Art. No. 10.006

Weight in kg: alumin. 1.111

Strike box,
for pairs of doors

Art. No. 10.005

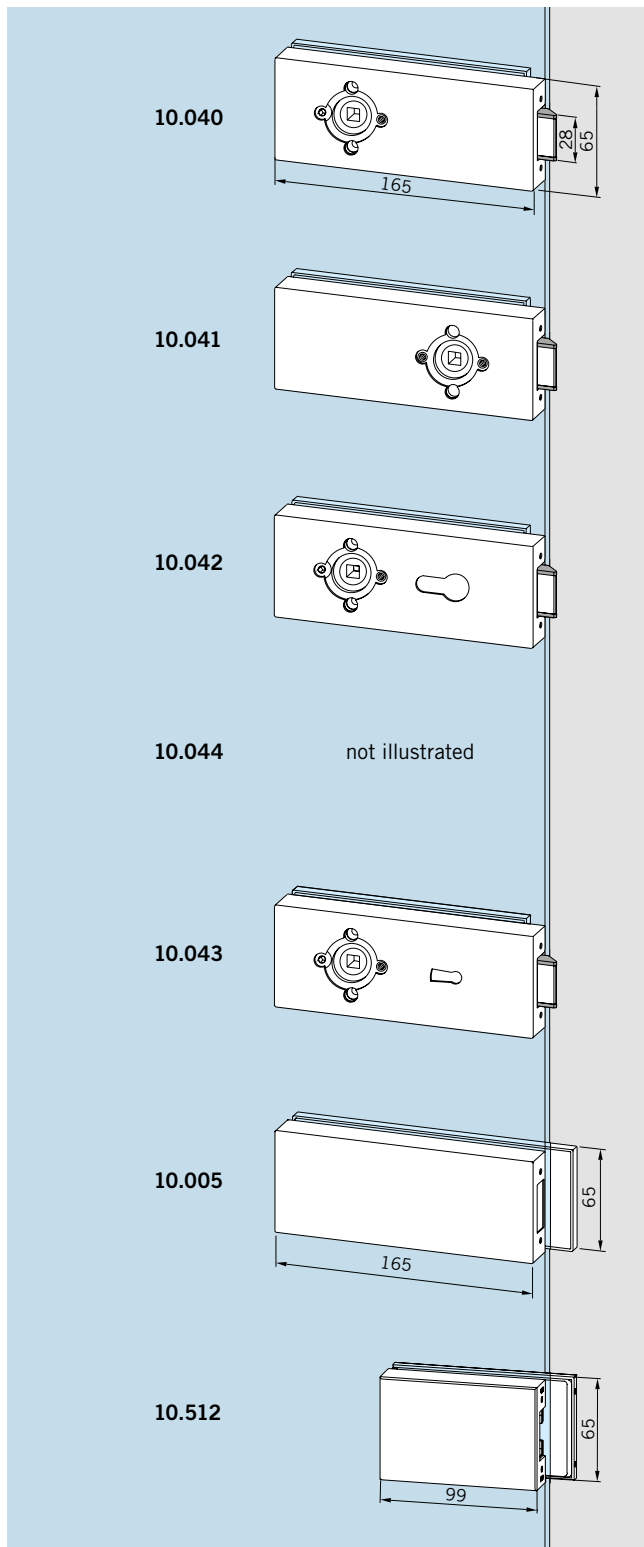
Weight in kg: alumin. 0.610

LOCKS FOR LEVERS WITH ROSES

Complying to DIN EN 12209.

Hinges see page 31.

Locks for 8 mm glass thickness / 24 mm rebate depth,
10 mm glass thickness / 26 mm rebate depth resp.



Lock,
non-locking,

Art. No. 10.040
Weight in kg: alumin. 1.580

Lock,
non-locking, with follower
forward

Art. No. 10.041
Weight in kg: alumin. 0.845

Lock,
prepared for Europrofile
cylinder, nightlatch function

Art. No. 10.042
Weight in kg: alumin. 0.815

Lock,
prepared for KABA, nightlatch
function

Art. No. 10.044
Weight in kg: alumin. 0.813

Lock,
lever lock, nightlatch function,
2 keys supplied

Art. No. 10.043
Weight in kg: alumin. 0.850

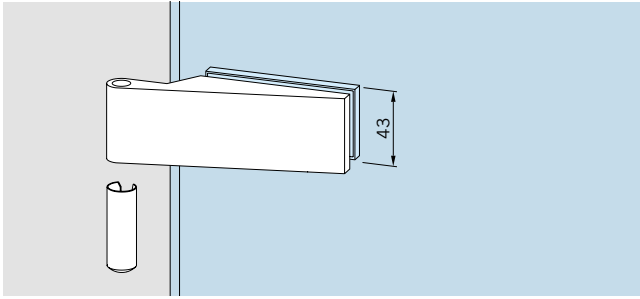
Strike box,
for pairs of doors

Art. No. 10.005
Weight in kg: alumin. 0.610

Strike box short
for pairs of doors

Art. No. 10.512
Weight in kg: alumin. 0.610

HINGES FOR 8 MM AND 10 MM GLASS THICKNESS



Hinge with frame pivot,
complete with sleeve

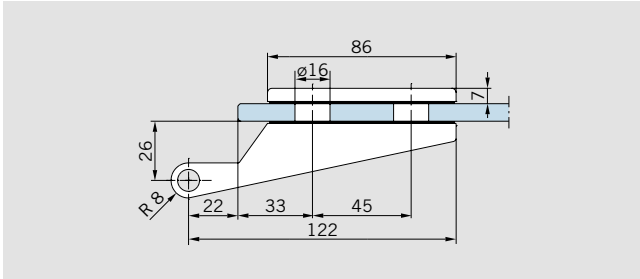
for 8 mm glass thickness,
24 mm rebate depth

Art. No. 10.021

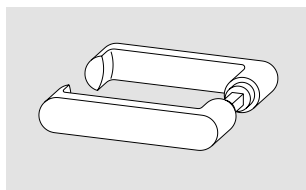
for 10 mm glass thickness,
26 mm rebate depth

Art. No. 10.020

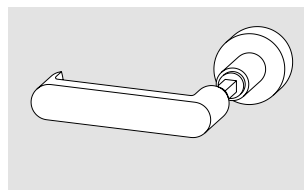
Weight in kg: alumin. 0.319



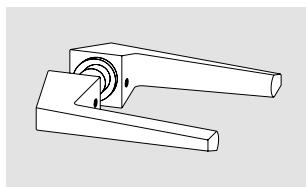
SETS OF LEVERS FOR LOCKS WITH FOLLOWER



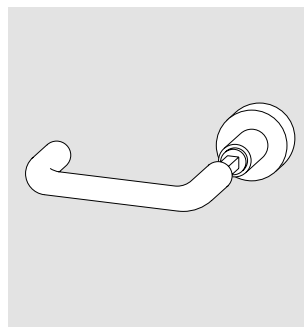
Set of levers,
with flat hand part, extended
colour options
Art. No. 10.314
Weight in kg: alumin. 0.290
brass 0.760



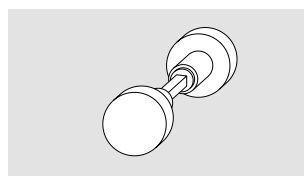
Lever and knob set,
lever with flat hand part, fixed
knob, for use with nightlatch
function locks
Art. No. 10.304
Weight in kg: alumin. 0.270



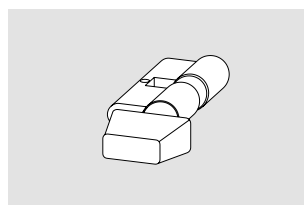
Set of levers,
with angular hand part
Art. No. 10.010
Weight in kg: alumin. 0.392



Lever and knob set,
tubular lever with free
turning knob
(turning without function)
Art. No. 10.316
Weight in kg: alumin. 0.335



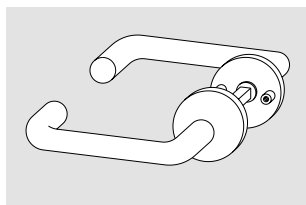
Lever and knob set,
tubular lever with turning knob
Art. No. 10.317
Weight in kg: alumin. 0.345



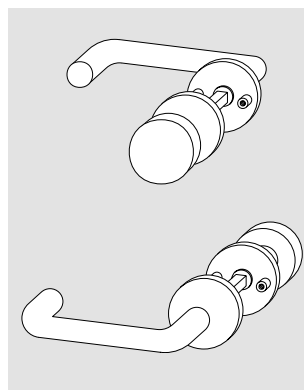
Set of knobs, turning knob
Art. No. 10.305
Weight in kg: alumin. 0.255

Thumbturn cylinders (WC),
for locks prepared for
Europrofile cylinder,
thumbturn in aluminium,
extended colour options
Art. No. 10.310
Weight in kg: 0.225

SETS OF LEVERS FOR LOCKS PREPARED FOR LEVERS WITH ROSES



Set of levers,
tubular, with roses
Art. No. 10.307
Weight in kg: alumin. 0.320



Lever and knob set,
tubular lever with fixed knob,
with roses
Art. No. 10.318
Weight in kg: alumin. 0.400

Lever and knob set,
tubular lever with knob,
with roses
Art. No. 10.319
Weight in kg: alumin. 0.400

Further sets of levers see pages 39, 49, 57.

STUDIO GALA

Studio Gala emphasises the complete harmonic shape of locks and handles in a superior ambience.

Lock Studio Gala

36 - 38

Hinges

39

Sets of levers

39

Frame pivots

40

Strike plates/Profile cylinder

40

Applications

41 - 42

Special hinges

66 - 70

Door rails

71 - 73

Door bolts/Accessories

73 - 74

Mounting of door closers

75 - 76

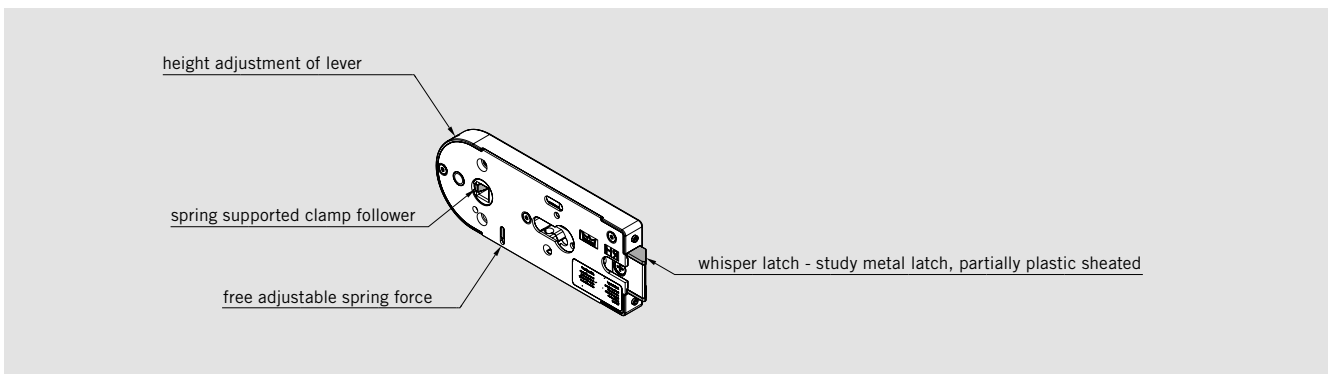
Finishes and colours

78

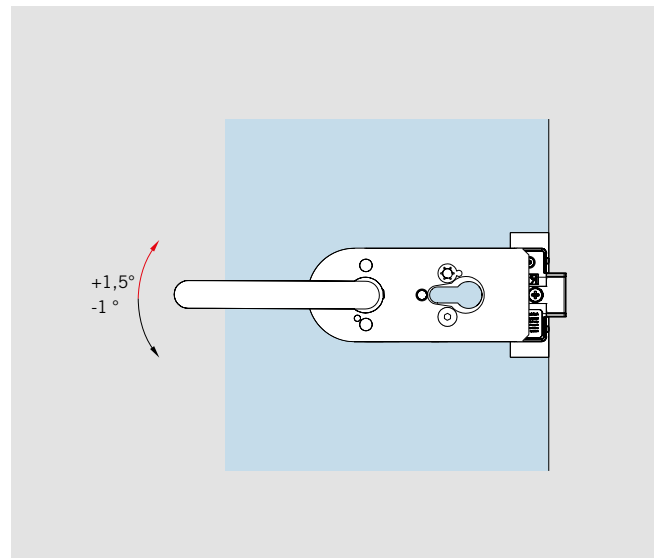
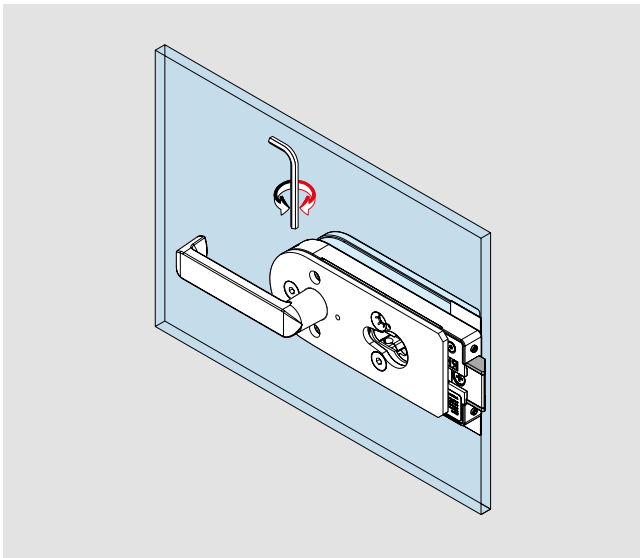


NEW TECHNICAL FEATURES

- Adjustable lever handle follower $+1,5^{\circ}/-1^{\circ}$, for avoidance of “ lever handle sag” (droop).*
- Lock insert with low-noise “whisper” functionality as standard. The whisper latch (study metal latch – partially plastics-sheathed and damped latch motions for noise minimisation) satisfy particularly high expectations, including the requirements of government agencies and public authorities.
- A special spring supported clamp follower holds the lever handle perfectly secure.
- The fully closed lock case provides optimum protection for the internal components which themselves are of rugged unit construction.
- Locks comply to the current DIN EN 12209. They are designed for use in public buildings.
- Locks were tested successfully with 200,000 latch and locking bolt operating cycles.
- Integrated spring-strength reduction (free adjustable) – e.g. for optimization when using knobs instead of lever handles.



Height adjustment of lever



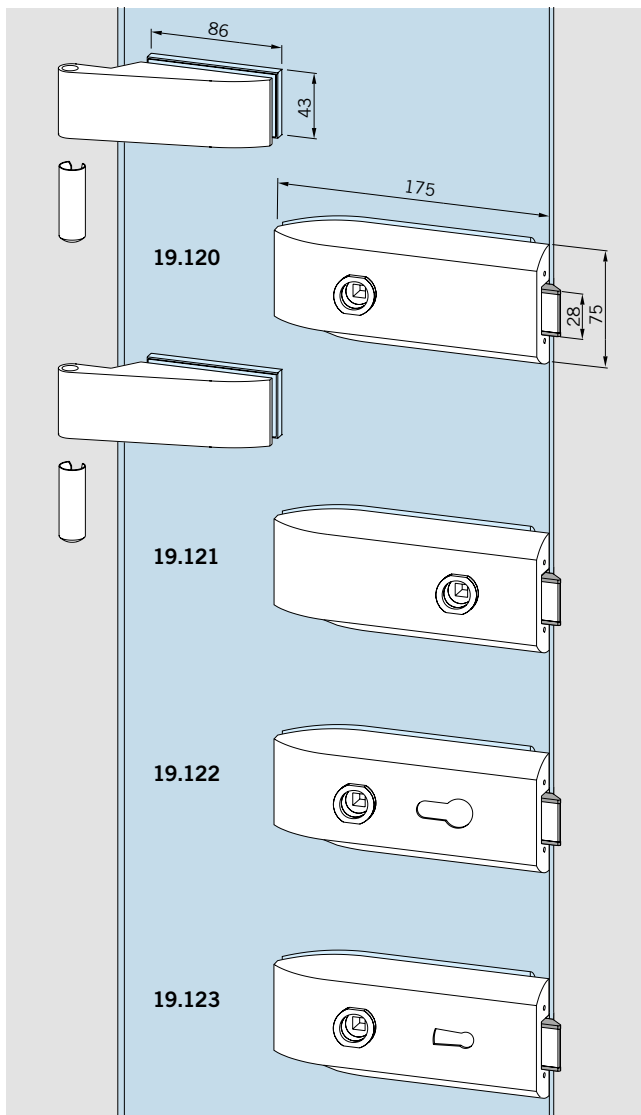
*For all lock versions except "non locking locks - lever in front position"

COMPLETE DOORSETS FOR 8 MM GLASS THICKNESS, LOCKS WITH FOLLOWER

Complying to DIN EN 12209.

Door weight max. 45 kg, door width max. 1000 mm
rebate depth 24 mm (for 8 mm glass thickness)

Prepared for all levers without roses with 8 mm square spindles,
spindle length for 44 mm lock thickness and 18 mm \varnothing follower,
max. 8 mm long.



Lock with 2 hinges,
non-locking lock,
hinges with sleeves

Art. No. 19.120

Weight in kg: alumin. 1.920
brass 2.660

Lock with 2 hinges,
non-locking lock with
follower forward,
hinges with sleeves

Art. No. 19.121

Weight in kg: alumin. 1.880
brass 2.645

Lock with 2 hinges,
lock prepared for Europrofile
cylinder, nightlatch function,
hinges with sleeves

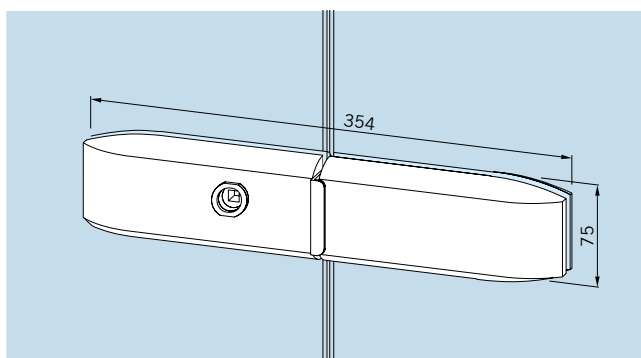
Art. No. 19.122

Weight in kg: alumin. 1.915
brass 2.660

Lock with 2 hinges,
lever lock, nightlatch function,
2 keys supplied,
hinges with sleeves

Art. No. 19.123

Weight in kg: alumin. 1.965
brass 2.700



Doorset for pairs of doors,
consisting of:
Lock without free glass edge,
levers forward, strike box,
4 hinges with sleeves,
door bolt and door catch

Art. No. 19.111

Weight in kg: alumin. 3.200
brass 4.214

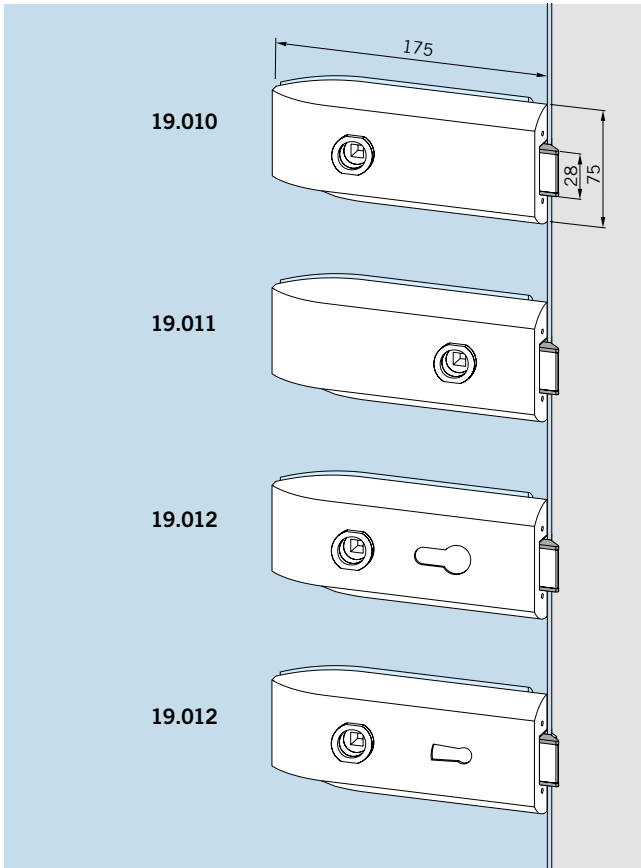
LOCKS WITH FOLLOWER

Complying to DIN EN 12209.

Locks for 8 mm glass thickness / 24 mm rebate depth

Prepared for all levers without roses with 8 mm square spindles, spindle length for 44 mm lock thickness and 18 mm Ø follower, max. 8 mm long.

Hinges see page 39.



Lock,
non-locking

Art. No. 19.010

Weight in kg: alumin. 0.690
brass 0.972

Lock,
non-locking, with follower
forward

Art. No. 19.011

Weight in kg: alumin. 0.679
brass 0.957

Lock,
prepared for Europrofile cylinder,
nightlatch function

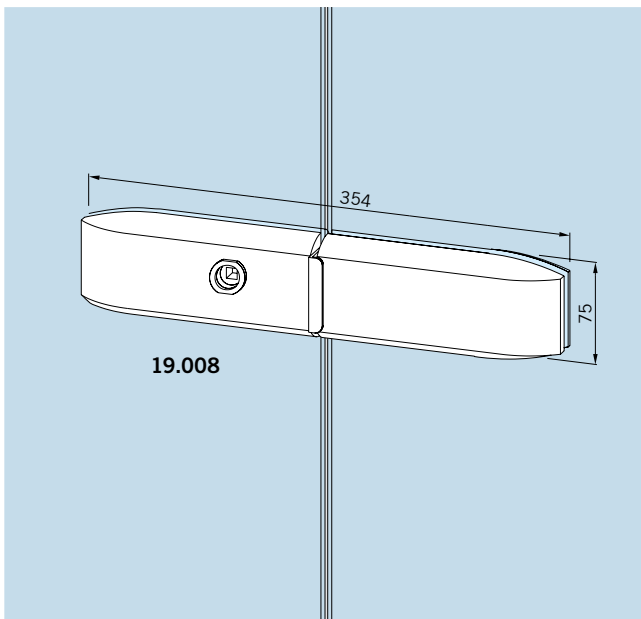
Art. No. 19.012

Weight in kg: alumin. 0.690
brass 0.972

Lock,
lever lock, nightlatch function,
2 keys supplied

Art. No. 19.013

Weight in kg: alumin. 0.718
brass 1.012



Locks with follower, without free glass edge, with angle stulp bracket for 2 panel system with strike boxes

Not illustrated:

Lock,
non-locking

Art. No. 19.015

Weight in kg: alumin. 0.723
brass 1.020

Lock,
non-locking, with follower
forward

Art. No. 19.008

Weight in kg: alumin. 0.723
brass 1.005

Not illustrated:

Lock,
prepared for Europrofile
cylinder, nightlatch function

Art. No. 19.016

Weight in kg: alumin. 0.723
brass 1.020

Not illustrated:

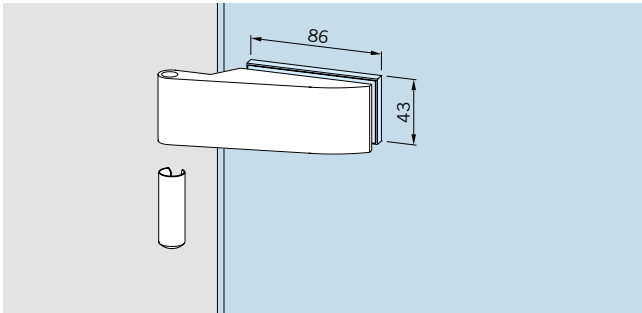
Lock,
lever lock, nightlatch function,
2 keys supplied

Art. No. 19.017

Weight in kg: alumin. 0.763
brass 1.060

HINGES

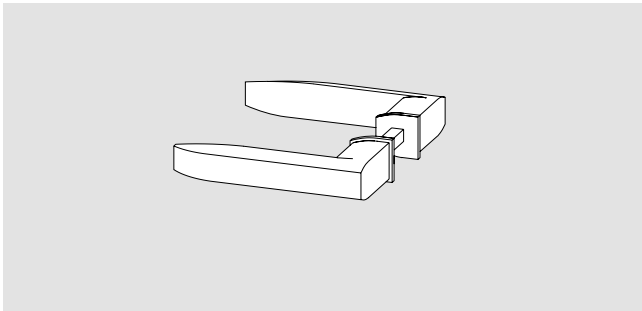
Door weight max. 45 kg, door width max. 1000 mm
 rebate depth 24 mm



Hinge with frame pivot,
 complete with sleeve

Art. No. 19.005
 Weight in kg: alumin. 0.342

SETS OF LEVERS

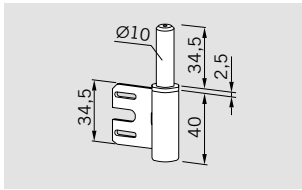


Set of levers

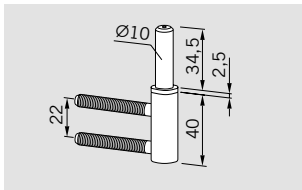
Art. No. 19.009
 Weight in kg: alumin. 0.350

Further sets of levers see pages 32, 39, 49, 57.

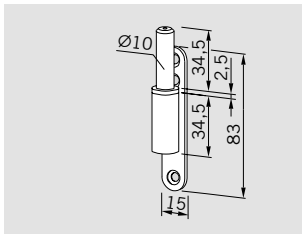
FRAME PIVOTS



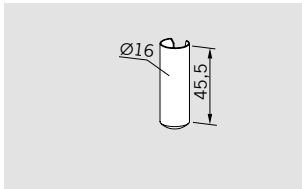
Frame pivot for steel frames,
with extra enhanced pivot pin
for Studio hinges, zinc plated
steel, plastic coated pivot pin
Art. No. 10.423
Weight in kg: 0.078



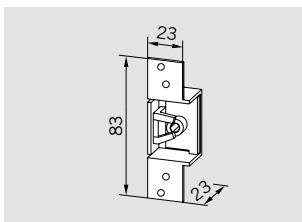
Frame pivot for wooden frames,
with extra enhanced pivot pin
for Studio hinges, zinc plated
steel, plastic coated pivot pin
Art. No. 10.424
Weight in kg: 0.090



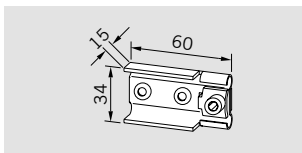
Screw-on frame pivot,
with extra enhanced pivot pin
for Studio hinges, zinc plated
steel, plastic coated pivot pin
Art. No. 10.407
Weight in kg: 0.094



Push-on sleeve for frame pivots
Art. No. 10.400, 10.404,
10.407
Art. No. 10.408
Weight in kg: alumin. 0.002
brass 0.006

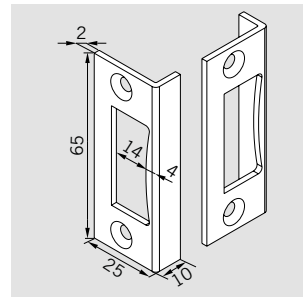


Frame pocket for steel frame,
zinc plated steel
Art. No. 10.406
Weight in kg: 0.073

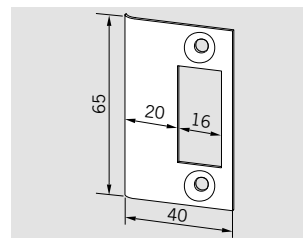


Frame pocket for wooden frame,
zinc plated steel
Art. No. 10.405
Weight in kg: 0.060

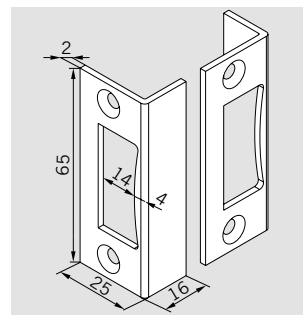
STRIKE PLATES



Corner strike plate
Art. No. 10.401
Weight in kg: alumin. 0.008

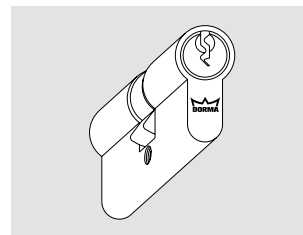


Strike plate
Art. No. 10.421
Weight in kg: s/s 0.019



Corner strike plate
with 16 mm side piece
Art. No. 10.411
Weight in kg: alumin. 0.008

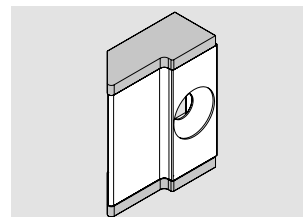
PROFILE CYLINDER



Profile cylinder,
length 61 mm, differently keyed,
with DORMA Logo
Art. No. 05.001

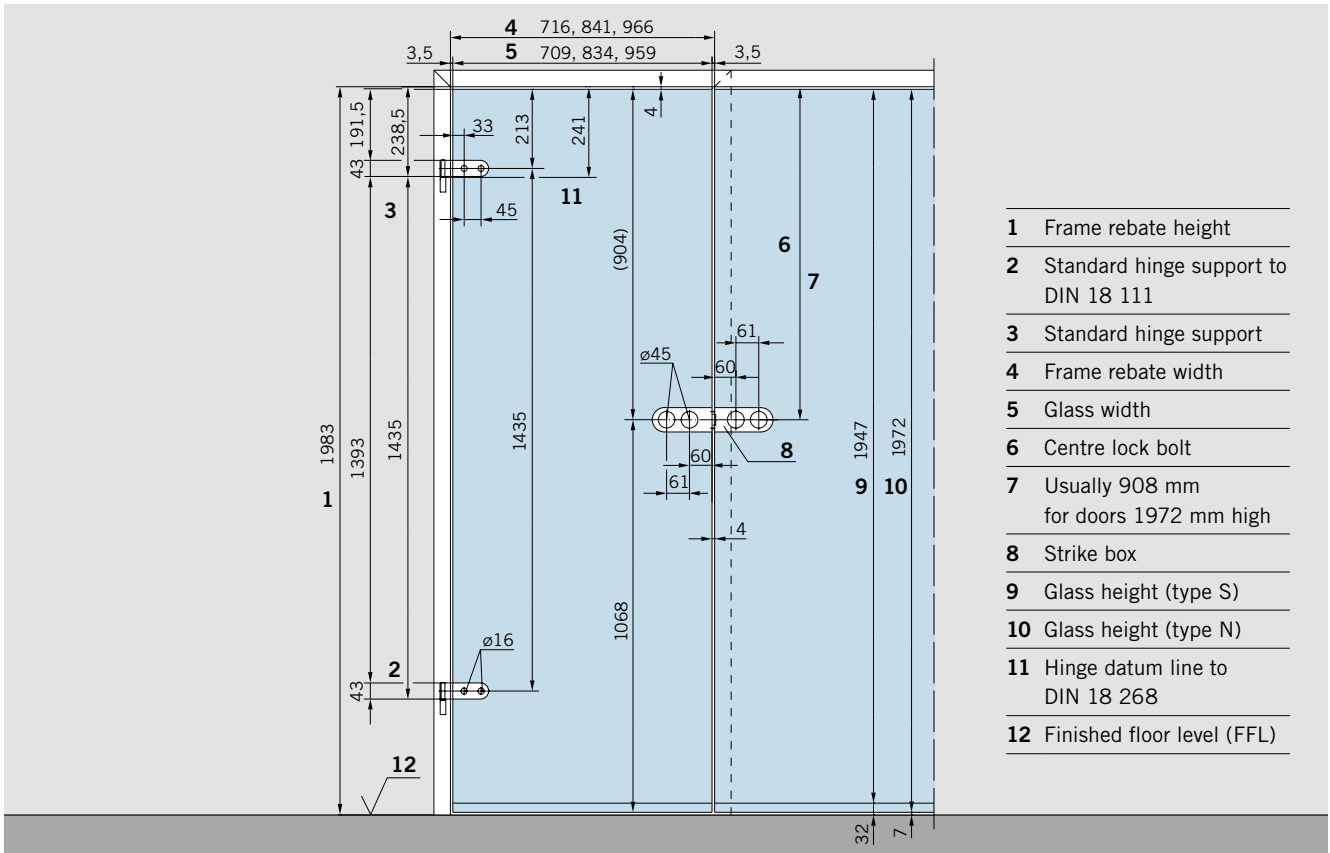
Profile cylinder,
length 61 mm, equally keyed,
with DORMA Logo
Art. No. 05.002

SPECIAL LATCH

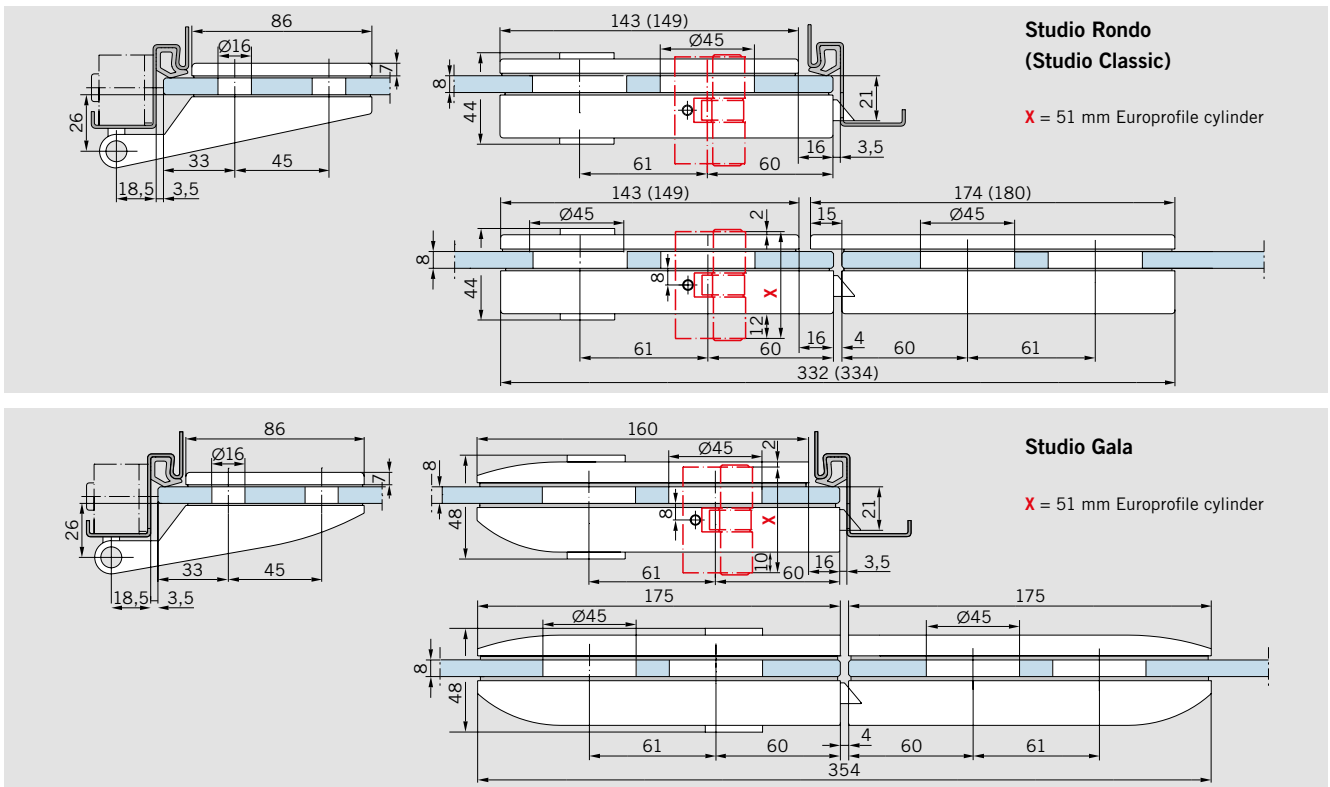


Single latch for Austrian norm
frames and for the combination
of 10 mm glass with a 24 mm
frame depth, usable for Studio
Rondo, Classic, Gala and ARCOS
Art. No. 10.066

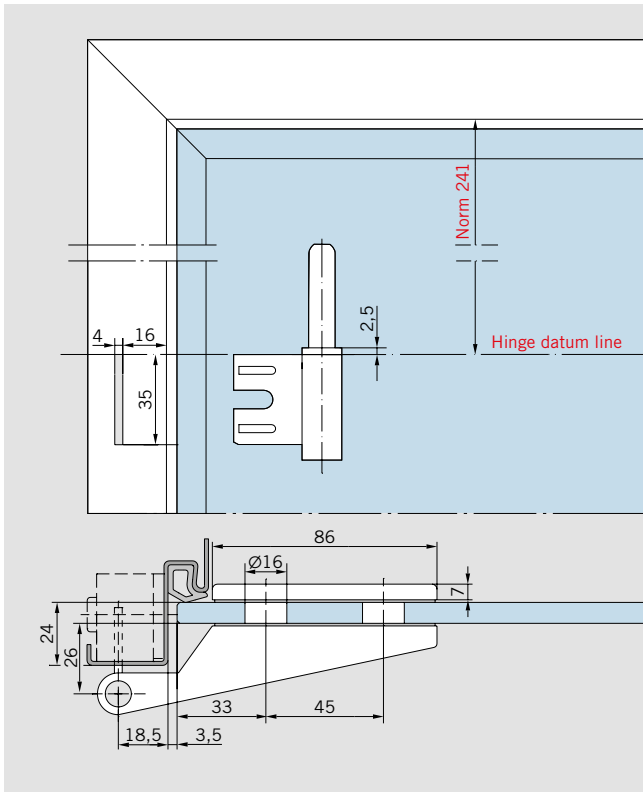
CONSTRUCTION DIMENSIONS FOR FRAME PIVOTS (as to page 40)



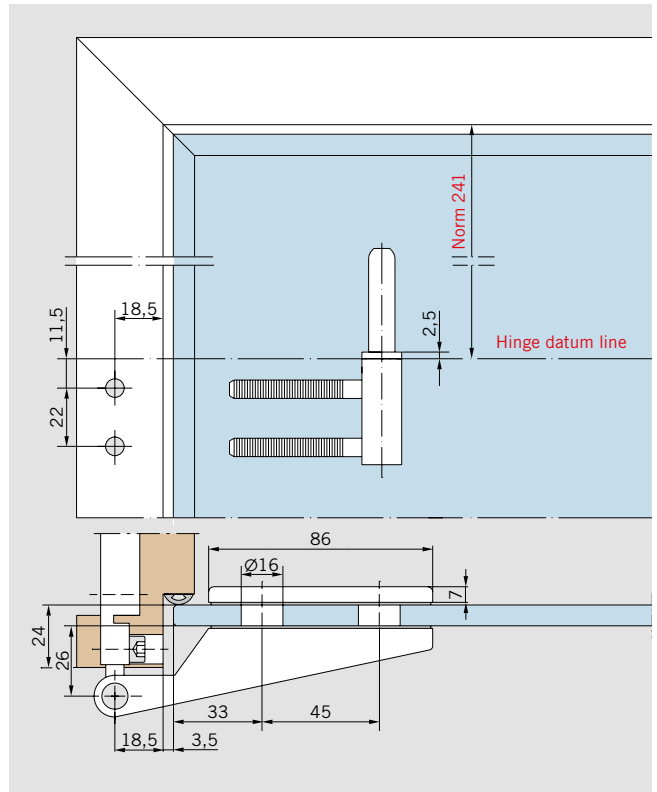
SECTION STUDIO RONDO/CLASSIC, STUDIO GALA



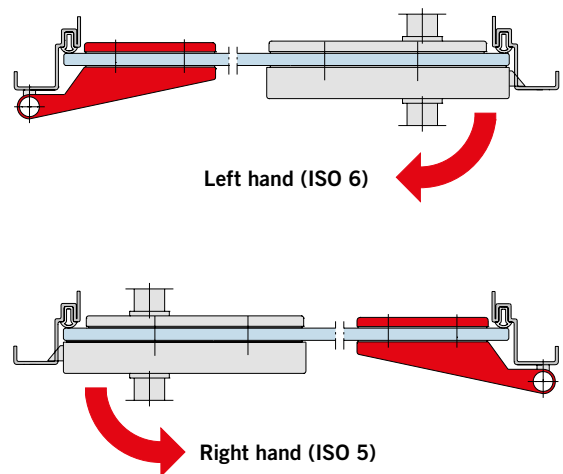
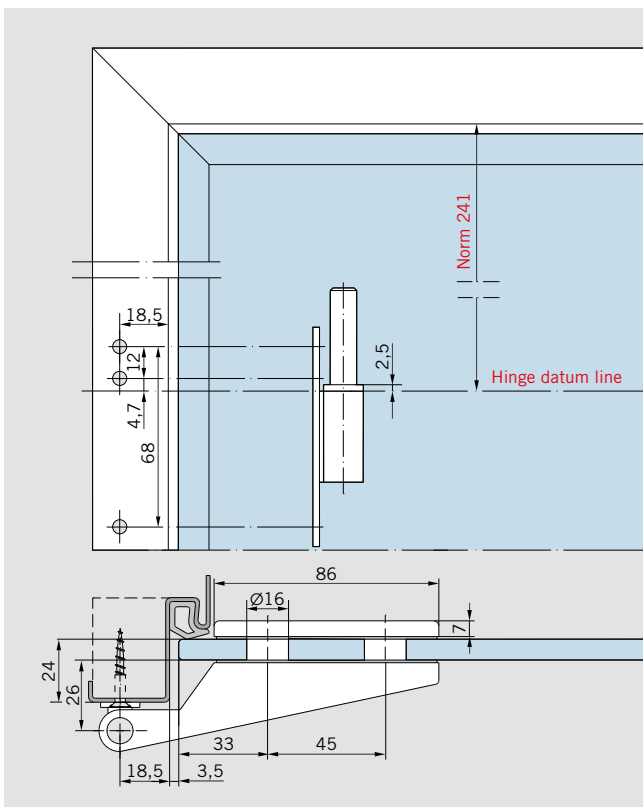
FRAME PIVOTS FOR STEEL FRAMES



FRAME PIVOTS FOR WOODEN FRAMES



SCREW ON FRAME PIVOT



JUNIOR OFFICE

Designed for demanding specifications, the accessories in the Junior Office range will give reliable service in busy environments. The range of locks, levers and hinges is wide enough to offer plenty of scope for design opportunities.

Lock Junior Office

46 - 48

Sets of levers

49

Hinges

49 - 51

Strike plate

Profile cylinder

Frame pivots

60 - 61

Applications

62 - 65

Special hinges

66 - 70

Door rails

71 - 73

Door bolts/Accessories

73 - 74

Mounting of door closers

75 - 76

Finishes and colours

78



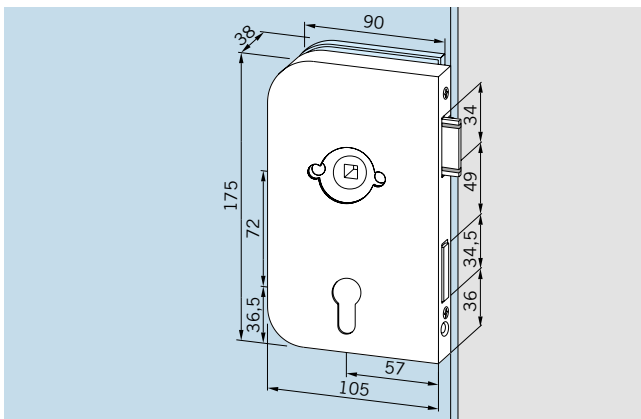
TECHNICAL FEATURES

- Lock insert with low-noise “whisper” functionality as standard. The whisper latch (study metal latch – partially plastics-sheathed and damped latch motions for noise minimisation) satisfy particularly high expectations, including the requirements of government agencies and public authorities.
- Adjustable lever handle follower $\pm 1^\circ$, patent pending, for avoidance of “lever handle sag” (droop). Further on a special spring supported clamp follower holds the lever handle perfectly secure.
- The fully closed lock case provides optimum protection for the internal components which themselves are of rugged unit construction.
- Locks comply to the current DIN EN 12209. They are designed for use in public buildings.
- Moreover these locks were tested successfully by a neutral testing institute with 500,000 latch and 100,000 locking bolt operating cycles.
- Special versions of the fitting manufactured in high-grade corrosion-resistant materials are available for wet room applications.

LOCKS FOR LEVERS WITH ROSES

Complying to the current DIN EN 12209

Locks supplied as standard for 8 mm glass thickness / 24 mm rebate depth, 10 mm glass thickness / 26 mm rebate depth resp. Hinges page 59 – 61 (also to suit doors with no over-rebate and rebate depth 25 – 40 mm)

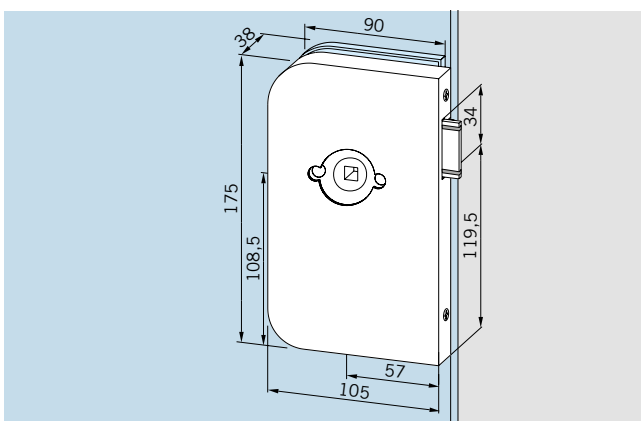


Lock,
prepared for Europrofile cylinder,
nightlatch function, extended
colour options, also available in
brass or stainless steel

Art. No. 11.200 L (as illustr.)
Art. No. 11.201 R
Weight in kg: alumin. 1.214
brass 1.542
stainless steel 1.505

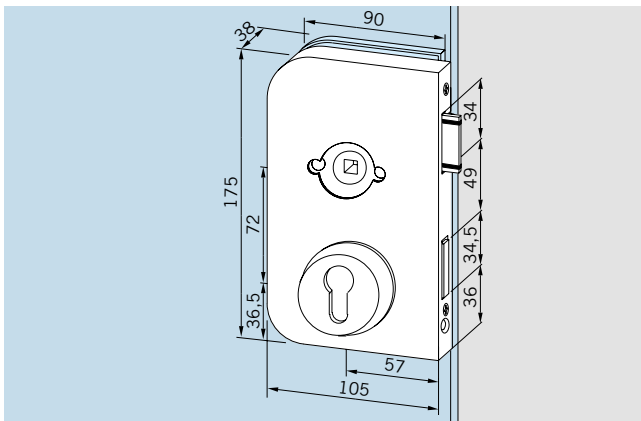
Lock,
prepared for Europrofile cylinder,
nightlatch function, lock corro-
sion-resistant

Art. No. 11.210 L (as illustr.)
Art. No. 11.211 R
Weight in kg: alumin. 1.230



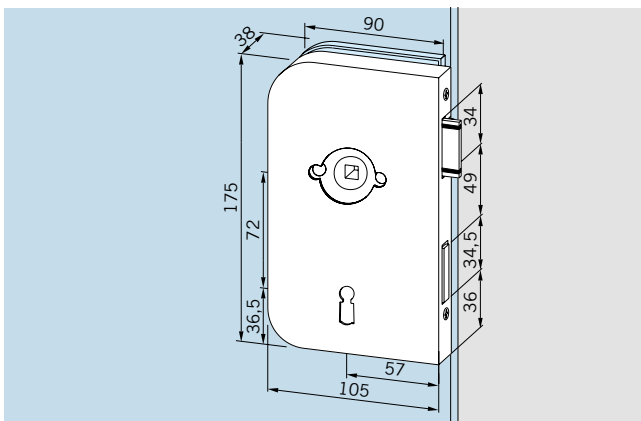
Lock,
non-locking, extended colours
options, also available in
stainless steel

Art. No. 11.212 L (as illustr.)
Art. No. 11.213 R
Weight in kg: alumin. 1.210
stainless steel 1.368



Lock,
prepared for Europrofile cylinder,
nightlatch function, cylinder rose
on lock side, extended colour
options, also available in brass

Art. No. 11.242 L (as illustr.)
Art. No. 11.243 R
Weight in kg: alumin. 1.200



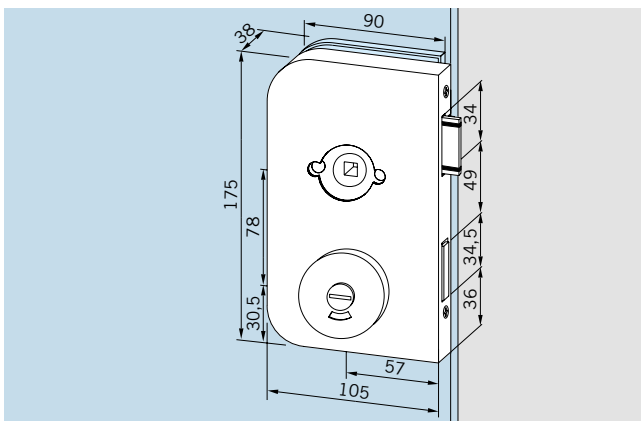
Lock,
lever lock, without nightlatch
function, 2 keys supplied, also
available in stainless steel

Art. No. 11.202 L (as illustr.)
Art. No. 11.203 R
Weight in kg: alumin. 1.115
stainless steel 1.383

Not illustrated:

Lock,
prepared for KABA, nightlatch
function

Art. No. 11.240 L
Art. No. 11.241 R
Weight in kg: alumin. 1.075

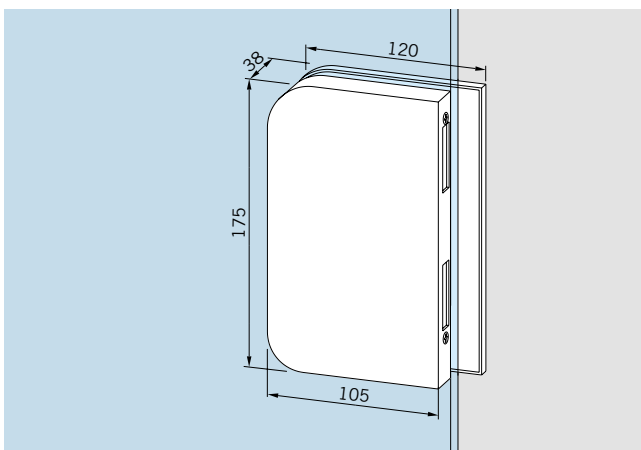


Lock,
bathroom lock function

Art. No. 11.204 L (as illustr.)
Art. No. 11.205 R
Weight in kg: alumin. 1.040

Lock,
bathroom lock function,
lock corrosion resistant

Art. No. 11.214 L (as illustr.)
Art. No. 11.215 R
Weight in kg: alumin. 1.210



Strike box,
for pairs of doors, extended
colour options, also available in
brass

Art. No. 11.206 L (as illustr.)
Art. No. 11.207 R
Weight in kg: alumin. 1.019
brass 1.420
stainless steel 1.335

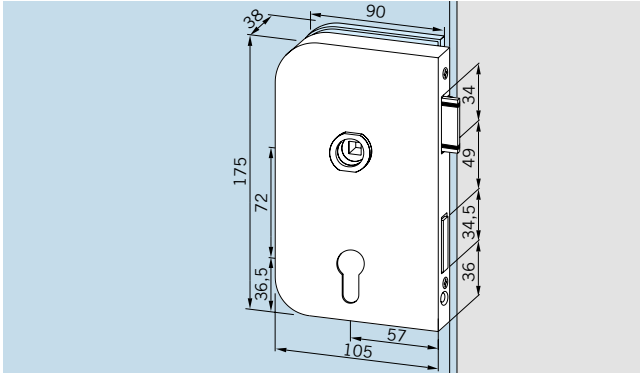
LOCKS WITH FOLLOWER

Complying to the current DIN EN 12209

Locks supplied as standard for 8 mm glass thickness / 24 mm rebate depth, 10 mm glass thickness / 26 mm rebate depth resp.

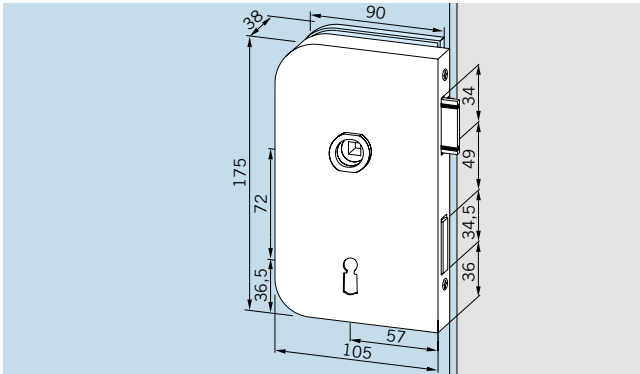
Prepared for all levers without roses with 8 mm square spindles, spindle length for 44 mm lock thickness and 18 mm \varnothing follower, max. 8 mm long.

Hinges page 59 – 61 (also to suit doors with no over-rebate and rebate depth 25 – 40 mm)



Lock,
prepared for Europrofile cylinder, nightlatch function, extended colour options, also available in brass or stainless steel

Art. No. 11.260 L (as illustr.)
Art. No. 11.261 R
Weight in kg: alumin. 1.165
brass 1.598
stainless steel 1.445



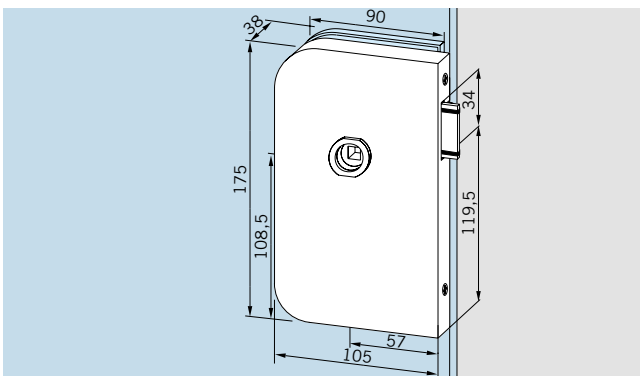
Lock,
lever lock, without nightlatch function, 2 keys supplied, also available in stainless steel

Art. No. 11.262 L (as illustr.)
Art. No. 11.263 R
Weight in kg: alumin. 1.115
stainless steel 1.383

Not illustrated:

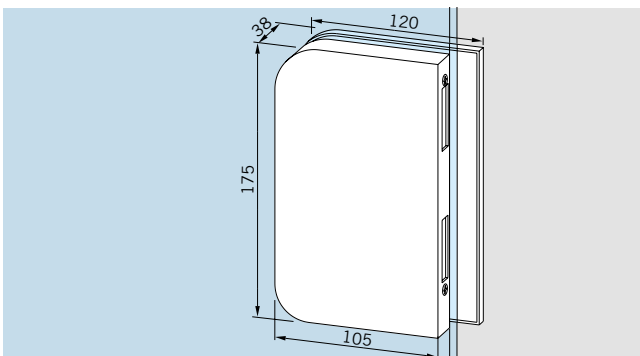
Lock,
prepared for KABA, without nightlatch function, 2 keys supplied, also available in stainless steel

Art. No. 11.266 L
Art. No. 11.267 R
Weight in kg: alumin. 1.113
stainless steel 1.378



Lock,
non-locking, also available in stainless steel

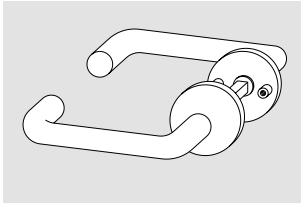
Art. No. 11.264 L (as illustr.)
Art. No. 11.265 R
Weight in kg: alumin. 1.040
stainless steel 1.290



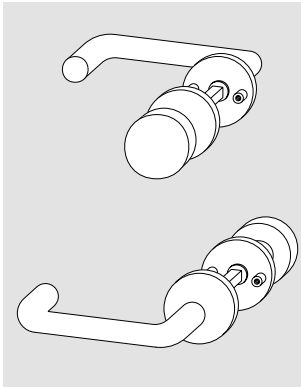
Strike box,
for pairs of doors, extended colour options, also available in brass

Art. No. 11.206 L (as illustr.)
Art. No. 11.207 R
Weight in kg: alumin. 0.945
brass 1.488
stainless steel 1.335

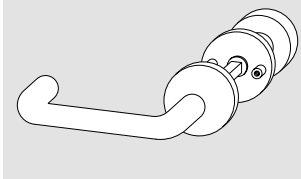
SETS OF LEVERS



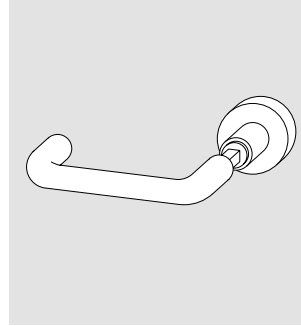
Set of levers,
tubular, with roses
Art. No. 10.307
Weight in kg: alumin. 0.320



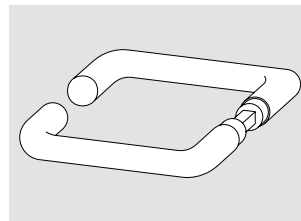
Lever and knob set,
tubular lever with fixed knob,
with roses
Art. No. 10.318
Weight in kg: alumin. 0.400



Lever and knob set,
tubular lever with knob,
with roses
Art. No. 10.319
Weight in kg: alumin. 0.400



Lever and knob set,
tubular lever with free turning
knob (turning without function)
Art. No. 10.316
Weight in kg: alumin. 0.335



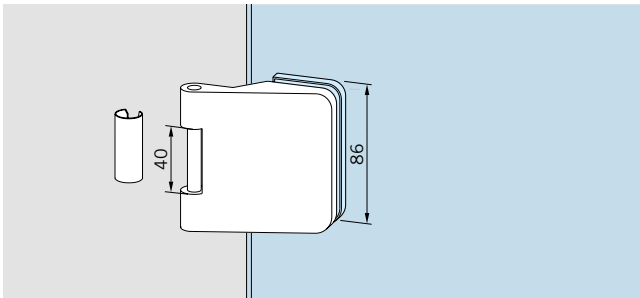
Lever and knob set,
tubular lever with turning knob
Art. No. 10.317
Weight in kg: alumin. 0.345

Set of levers, tubular,
for follower
Art. No. 10.301
Weight in kg: alumin. 0.320
brass 0.450

Further sets of levers see pages 32, 39, 49, 57.

HINGES FOR /WITH FRAME PIVOTS

For 8 mm glass thickness / 24 mm rebate depth,
10 mm glass thickness / 26 mm rebate depth resp.,
max. door width 1000 mm

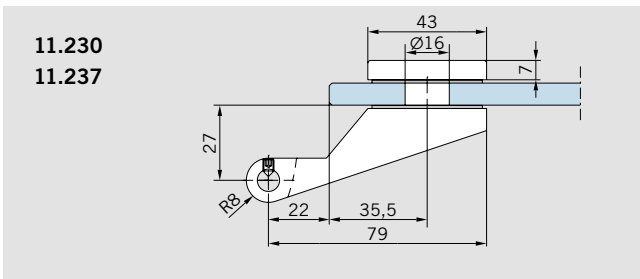


Hinge for frame pivot,
complete with sleeve, zinc plated
steel pin, door weight max. 55 kg

Art. No. 11.230*
Weight in kg: alumin. 0.358
brass 0.787

Hinge for frame pivot,
complete with sleeve, stainless
steel pin, to be used in damp
environments, door weight
max. 55 kg

Art. No. 11.237
Weight in kg: alumin. 0.360



11.230
11.237

Not illustrated:
Hinge for frame pivot,
complete with sleeve, to suit
rebate depth 25 – 39 mm,
door weight max. 45 kg,

Art. No. 11.245
Weight in kg: alumin. 0.530

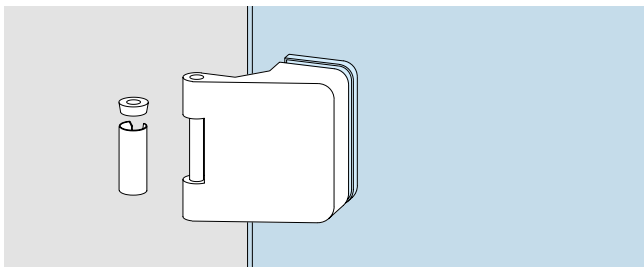
Not illustrated:
Hinge for frame pivot,
complete with sleeve,
to suit rebate depth 40 mm,
door weight max. 45 kg

Art. No. 11.238
Weight in kg: alumin. 1.111

Not illustrated:
Hinge for frame pivot,
complete with sleeve and ball
bearing, door weight max.
60 kg, also available in brass
or stainless steel

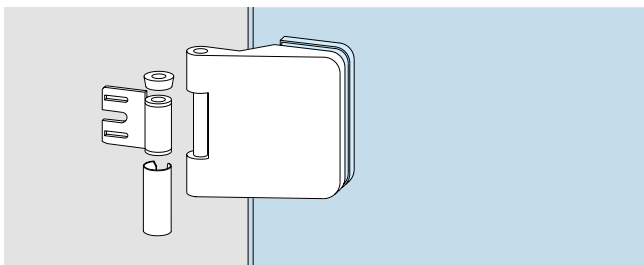
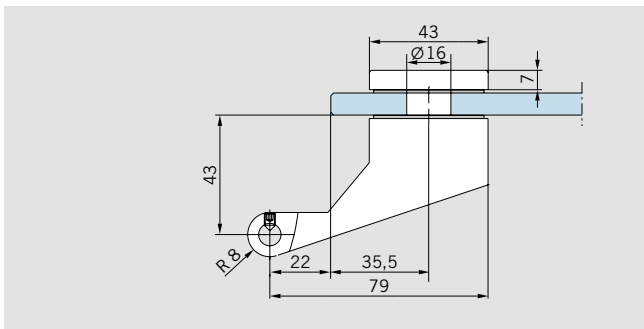
Art. No. 11.234**
Weight in kg: alumin. 0.385
brass 0.792
stainless steel 0.493

* Finish satin stainless steel (700), not usable with screw-on frame pivot 11.405 (page 71)
** Finish satin stainless steel (700), not usable with screw-on frame pivot 11.406 (page 71)



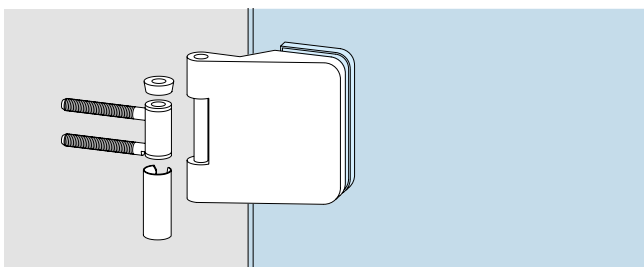
Hinge for frame pivot,
complete with sleeve, to suit
rebate depth 40 mm with steel
ball bearing, door weight
max. 45 kg

Art. No. 11.244
Weight in kg: alumin. 1.100



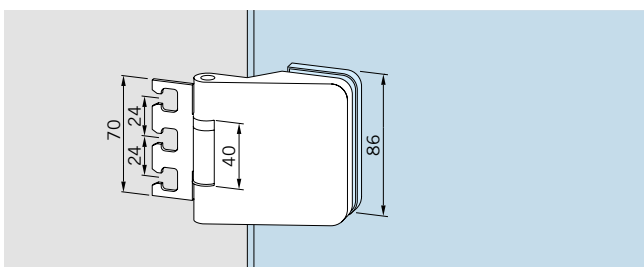
**Hinge with frame pivot
for steel frames,**
complete with sleeve, steel ball
bearing, door weight max.
60 kg, also available in brass or
stainless steel

Art. No. 11.231
Weight in kg: alumin. 0.423
brass 0.830
stainless steel 0.525



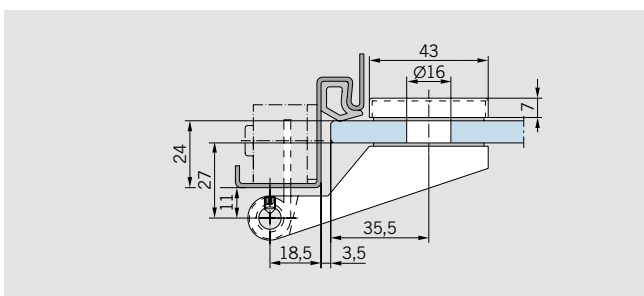
**Hinge with frame pivot
for wooden frames**
with sleeve, steel ball bearing,
door weight max. 60 kg, also
available in brass or stainless

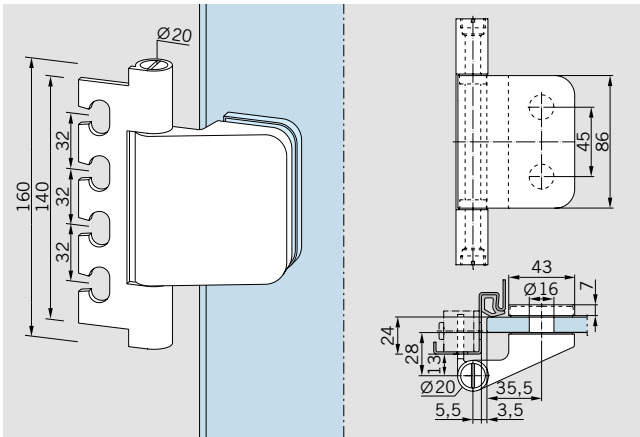
steel
Art. No. 11.232
Weight in kg: alumin. 0.407
brass 0.840
stainless steel 0.505



**Hinge with frame pivot
for steel frames**
with 120 mm type frame
pocket, complete with sleeve,
steel ball bearing, door weight
max. 60 kg, also available in
brass or stainless steel

Art. No. 11.247
Weight in kg: alumin. 0.435
brass 0.851
stainless steel 0.539



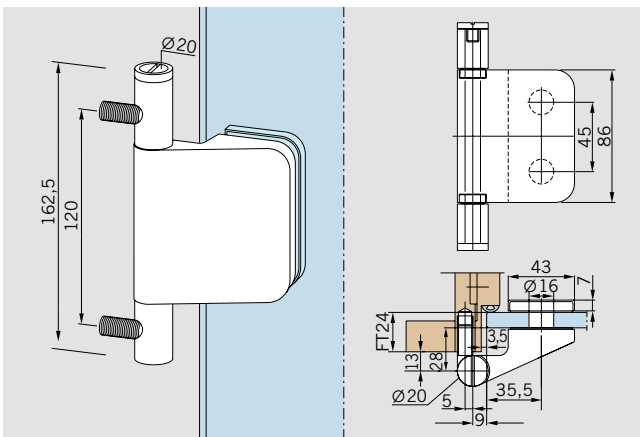


Hinge for project doors,
with 160 mm type frame pocket
(mating portion VN 7608/160 3D
or VZK 060-1/3), stainless steel
pin, plastic slide bearing
door weight max. 70 kg,
door width max. 1200 mm

Art. No. 11.233
Weight in kg: alumin. 0.519

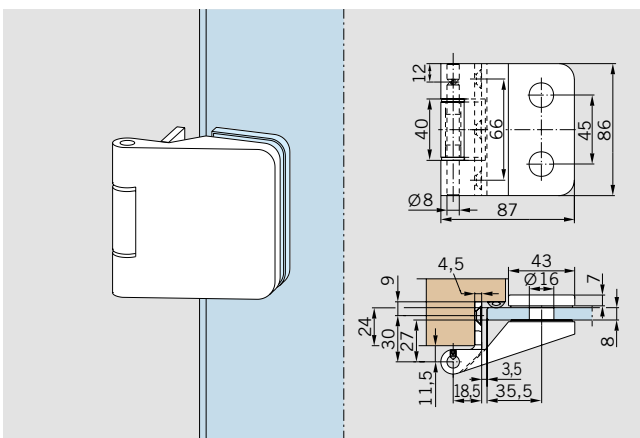
Not illustrated:
do. for 40 mm rebate depth

Art. No. 11.340
door weight max. 45 kg



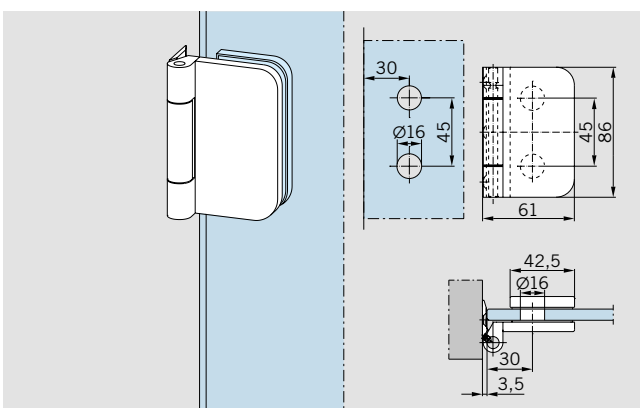
Hinge for project doors
with frame pivot for wooden
frames, zinc plated frame
pivots, zinc plated steel pin,
plastic slide bearing,
door weight max. 70 kg,
door width max. 1200 mm

Art. No. 11.298*
Weight in kg: alumin. 0.596



**Hinge with frame pivot
for wooden frames,**
hinge flap for mortising into
frame, zinc plated steel pin,
plastic bushing,
door weight max. 55 kg,
door width max. 1000 mm

Art. No. 11.239
Weight in kg: alumin. 0.425



**Hinge with frame pivot
for non-rebated frames,**
hinge flap for screwing onto
frame, stainless steel pin,
plastic bushing,
door weight max. 40 kg,
door width max. 1000 mm

Art. No. 12.050
Weight in kg: alumin. 0.205

* Note: Consider separate frame processing

JUNIOR OFFICE CLASSIC

Junior Office Classic convince with timeless classic design. Engineered for high frequented doors, they achieve a large stress capacity. The numerous types fulfill variable requirements.

Lock Junior Office Classic

54 - 56

Sets of levers

57

Hinges

57 - 59

Strike plate

Profile cylinder

Frame pivots

60 - 61

Applications

62 - 65

Special hinges

66 - 70

Door rails

71 - 73

Door bolts/Accessories

73 - 74

Mounting of door closers

75 - 76

Finishes and colours

78



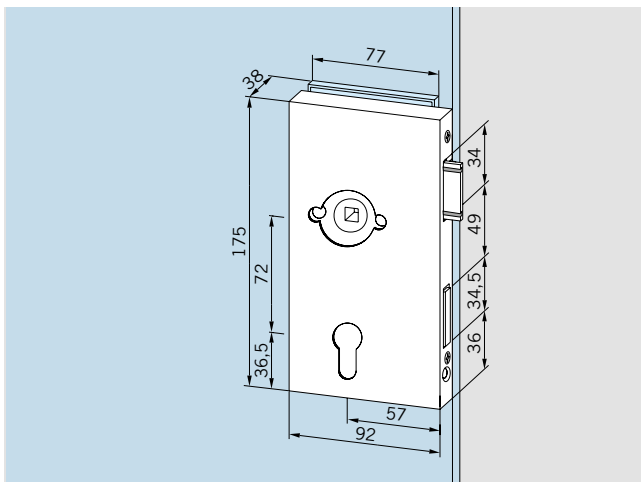
TECHNICAL FEATURES

- Lock insert with low-noise “whisper” functionality as standard. The whisper latch (study metal latch – partially plastics-sheathed and damped latch motions for noise minimisation) satisfy particularly high expectations, including the requirements of government agencies and public authorities.
- Adjustable lever handle follower $\pm 1^\circ$, patent pending, for avoidance of “lever handle sag” (droop). Further on a special spring supported clamp follower holds the lever handle perfectly secure.
- The fully closed lock case provides optimum protection for the internal components which themselves are of rugged unit construction.
- Locks comply to the current DIN EN 12209. They are designed for use in public buildings.
- Moreover these locks were tested successfully by a neutral testing institute with 500,000 latch and 100,000 locking bolt operating cycles.
- Special versions of the fitting manufactured in high-grade corrosion-resistant materials are available for wet room applications.

LOCKS FOR LEVERS WITH ROSES

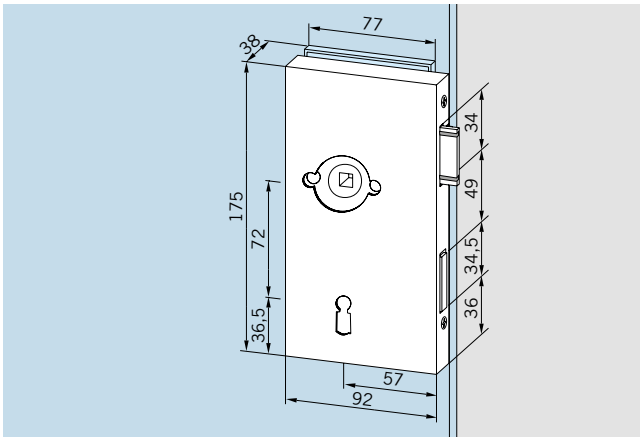
Complying to the current DIN EN 12209

Locks supplied as standard for 8 mm glass thickness / 24 mm rebate depth,
10 mm glass thickness / 26 mm rebate depth resp. Hinges page 68
(also to suit doors with no over-rebate and rebate depth 25 – 40 mm)



Lock,
public building type, prepared
for Europrofile cylinder, night-
latch function

Art. No. 11.270 L (as illustr.)
Art. No. 11.271 R
Weight in kg: alumin. 1.165

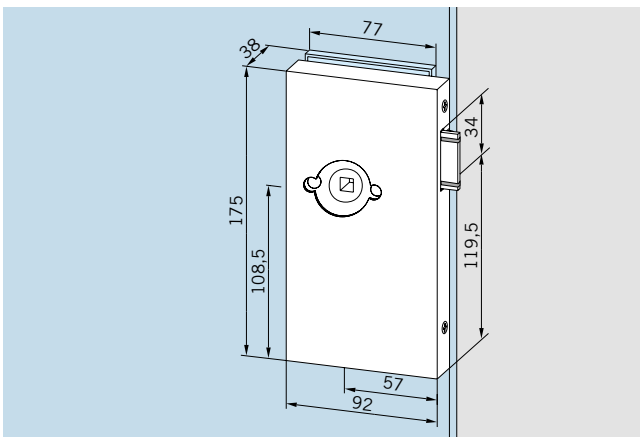


Lock,
locking lever, nightlatch
function,
2 keys supplied

Art. No. 11.272 L (as illustr.)
Art. No. 11.273 R
Weight in kg: alumin. 1.115

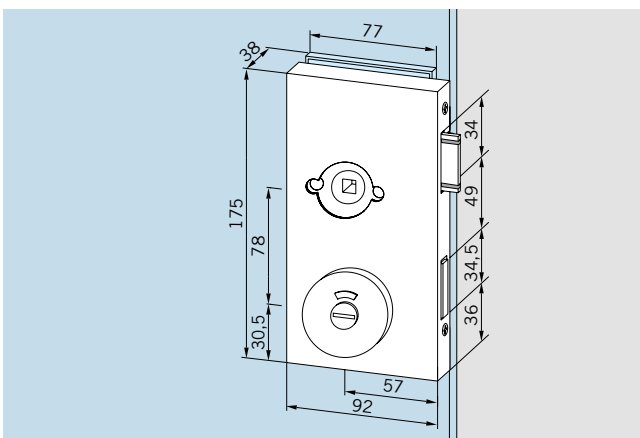
Not illustrated:
Lock,
prepared for KABA, with
nightlatch function

Art. No. 11.278 L
Art. No. 11.279 R
Weight in kg: alumin. 1.113



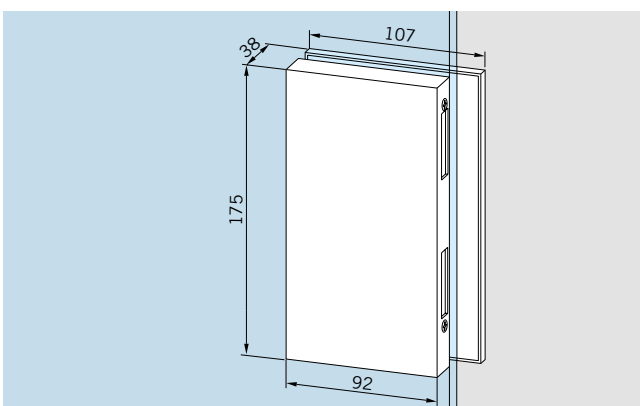
Lock,
non-locking

Art. No. 11.274 L (as illustr.)
Art. No. 11.275 R
Weight in kg: alumin. 1.040



Lock,
bathroom lock function

Art. No. 11.276 L (as illustr.)
Art. No. 11.277 R
Weight in kg: alumin. 1.040



Strike box,
for pairs of doors

Art. No. 11.286 L (as illustr.)
Art. No. 11.287 R
Weight in kg: alumin. 0.945

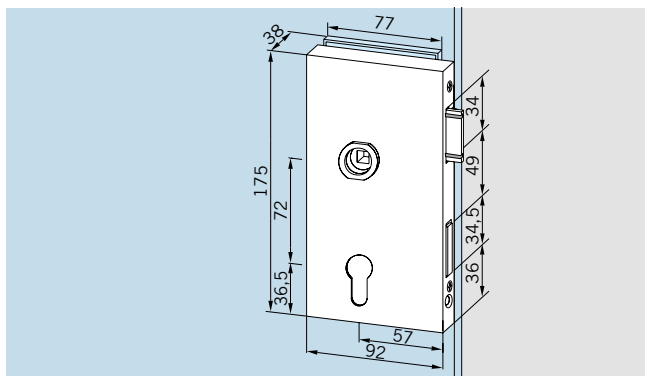
LOCKS WITH FOLLOWER

Complying to the current DIN EN 12209

Locks supplied as standard for 8 mm glass thickness / 24 mm rebate depth, 10 mm glass thickness / 26 mm rebate depth resp.

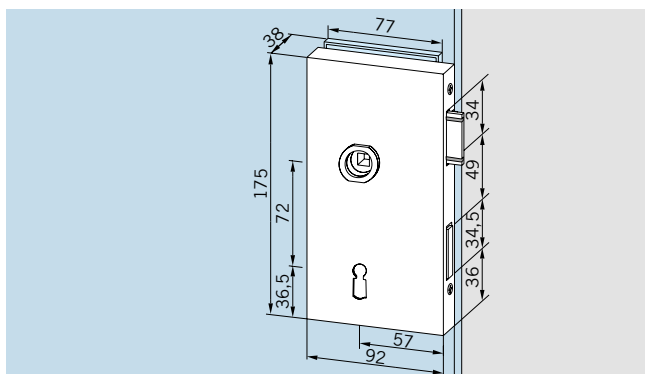
Prepared for all levers without roses with 8 mm square spindles, spindle length for 44 mm lock thickness and 18 mm \varnothing follower, max. 8 mm long.

Hinges page 68 (also to suit doors with no over-rebate and rebate depth 25 – 40 mm)



Lock
prepared for Europrofile
cylinder, nightlatch function

Art. No. 11.280 L (as illustr.)
Art. No. 11.281 R
Weight in kg: alumin. 1.165



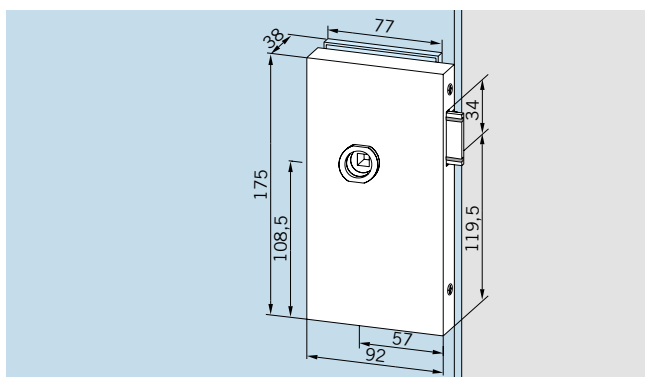
Lock,
lever lock, without nightlatch
function, 2 keys supplied

Art. No. 11.282 L (as illustr.)
Art. No. 11.283 R
Weight in kg: alumin. 1.115

Not illustrated:

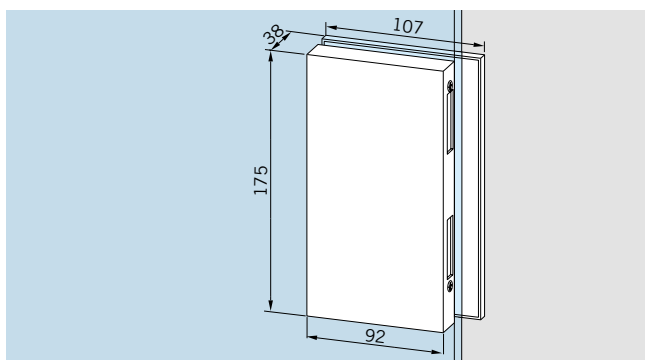
Lock,
prepared for KABA,
with nightlatch function,
2 keys supplied

Art. No. 11.320 L
Art. No. 11.321 R
Weight in kg: alumin. 1.113



Lock,
non-locking

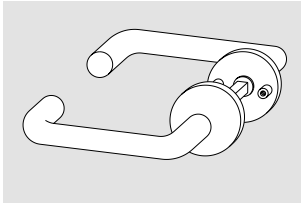
Art. No. 11.284 L (as illustr.)
Art. No. 11.285 R
Weight in kg: alumin. 1.040



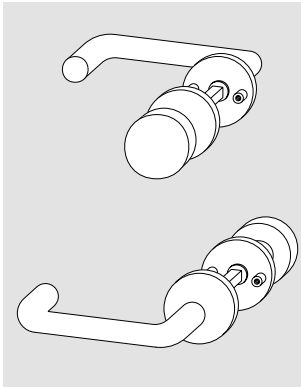
Strike box,
for pairs of doors

Art. No. 11.286 L (as illustr.)
Art. No. 11.287 R
Weight in kg: alumin. 0.945

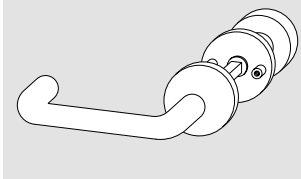
SETS OF LEVERS



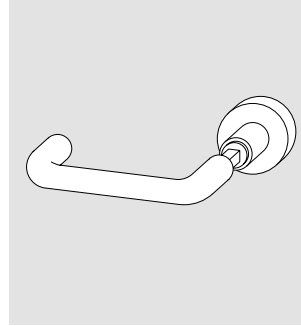
Set of levers,
tubular, with roses
Art. No. 10.307
Weight in kg: alumin. 0.320



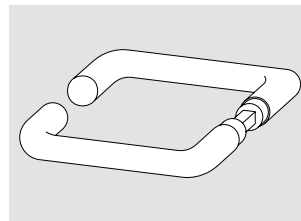
Lever and knob set,
tubular lever with fixed knob,
with roses
Art. No. 10.318
Weight in kg: alumin. 0.400



Lever and knob set,
tubular lever with knob,
with roses
Art. No. 10.319
Weight in kg: alumin. 0.400



Lever and knob set,
tubular lever with free turning
knob (turning without function)
Art. No. 10.316
Weight in kg: alumin. 0.335



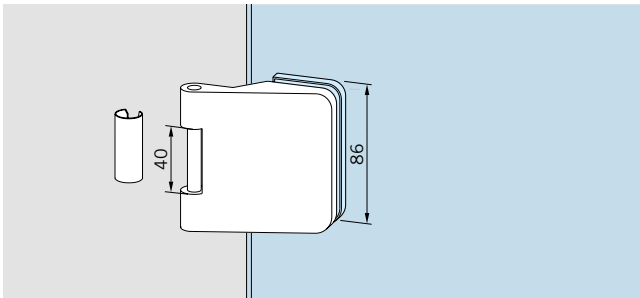
Lever and knob set,
tubular lever with turning knob
Art. No. 10.317
Weight in kg: alumin. 0.345

Set of levers, tubular,
for follower
Art. No. 10.301
Weight in kg: alumin. 0.320
brass 0.450

Further sets of levers see pages 32, 39, 49, 57.

HINGES FOR /WITH FRAME PIVOTS

For 8 mm glass thickness/24 mm rebate depth,
10 mm glass thickness/26 mm rebate depth resp.,
max. door width 1000 mm

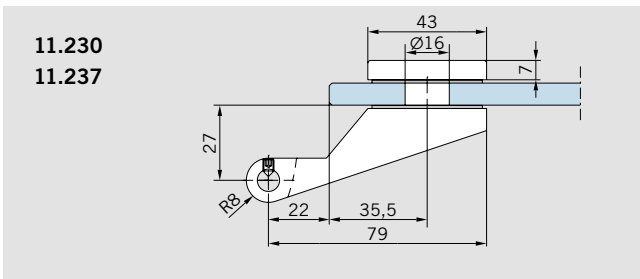


Hinge for frame pivot,
complete with sleeve, zinc plated
steel pin, door weight max. 55 kg

Art. No. 11.230*
Weight in kg: alumin. 0.358
brass 0.787

Hinge for frame pivot,
complete with sleeve, stainless
steel pin, to be used in damp
environments, door weight
max. 55 kg

Art. No. 11.237
Weight in kg: alumin. 0.360



11.230
11.237

Not illustrated:
Hinge for frame pivot,
complete with sleeve, to suit
rebate depth 25 – 39 mm,
door weight max. 45 kg,

Art. No. 11.245
Weight in kg: alumin. 0.530

Not illustrated:
Hinge for frame pivot,
complete with sleeve,
to suit rebate depth 40 mm,
door weight max. 45 kg

Art. No. 11.238
Weight in kg: alumin. 1.111

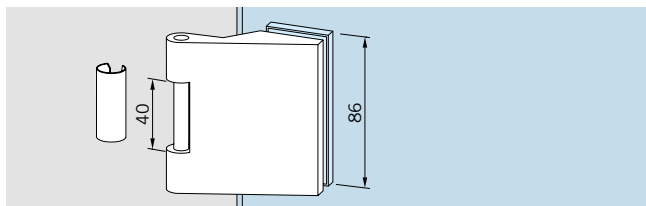
Not illustrated:
Hinge for frame pivot,
complete with sleeve and ball
bearing, door weight max.
60 kg, also available in brass
or stainless steel

Art. No. 11.234**
Weight in kg: alumin. 0.385
brass 0.792
stainless steel 0.493

* Finish satin stainless steel (700), not usable with screw-on frame pivot 11.405 (page 71)
** Finish satin stainless steel (700), not usable with screw-on frame pivot 11.406 (page 71)

HINGES FOR /WITH FRAME PIVOTS

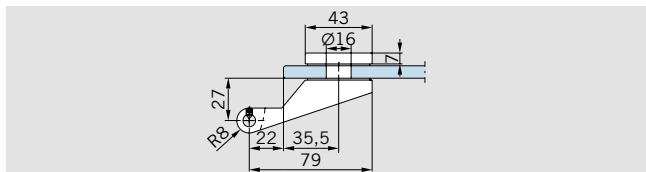
For 8 mm glass thickness / 24 mm rebate depth, 10 mm glass thickness / 26 mm rebate depth resp., max. door width 1000 mm



Hinge with frame pivot,
complete with sleeve,
zinc plated steel pin,
door weight max. 55 kg

Art. No. 11.288

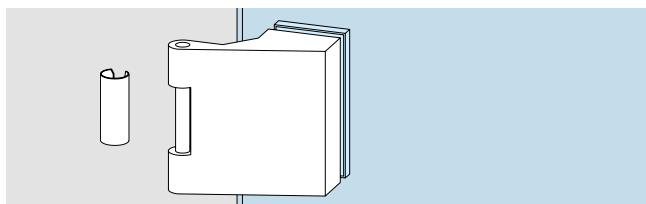
Weight in kg: alumin. 0.358



Hinge for frame pivot,
complete with sleeve,
to suit rebate depth 40 mm,
door weight max. 45 kg

Art. No. 11.295

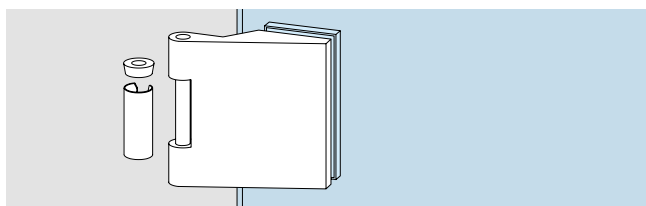
Weight in kg: alumin. 1.111



Hinge for frame pivot,
complete with sleeve and ball
bearing, door weight max. 60 kg

Art. No. 11.292

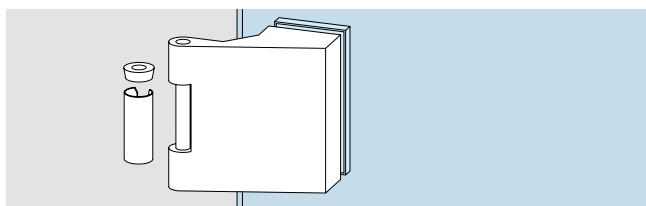
Weight in kg: alumin. 0.385



Hinge with frame pivot,
complete with sleeve,
to suit rebate depth 40 mm,
with steel ball bearing,
door weight max. 45 kg

Art. No. 11.296

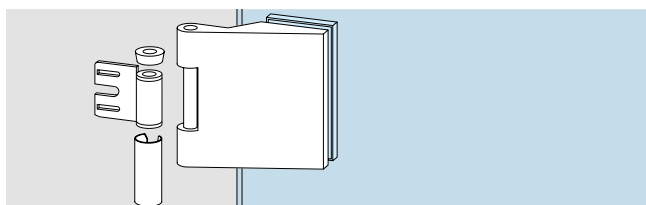
Weight in kg: alumin. 1.100



**Hinge with frame pivot
for steel frames,**
complete with sleeve, steel ball
bearing, door weight max. 60 kg

Art. No. 11.289

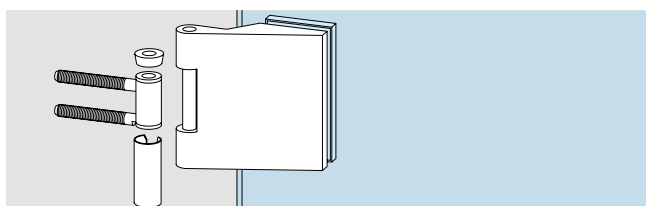
Weight in kg: alumin. 0.417

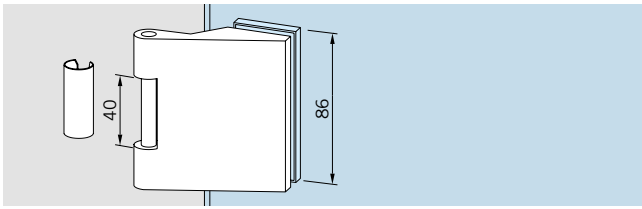


**Hinge with frame pivot
for wooden frames,**
complete with sleeve, steel ball
bearing, door weight max. 60 kg

Art. No. 11.290

Weight in kg: alumin. 0.407



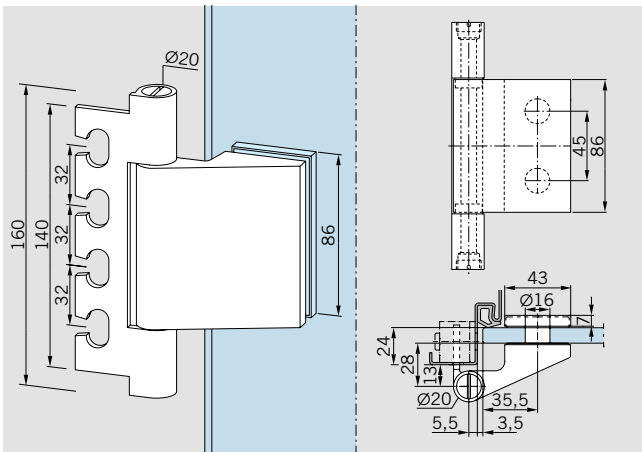
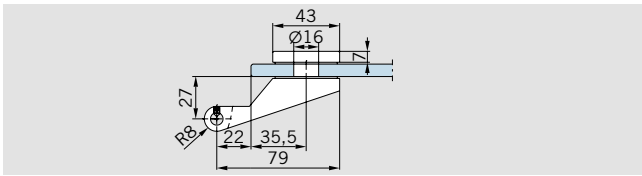


Hinge with frame pivot for steel frames

with 120 mm type frame pocket, complete with sleeve, steel ball bearing, door weight max. 60 kg,

Art. No. 11.293

Weight in kg: alumin. 0.451



Hinge for project doors,

with 160 mm type frame pocket (mating portion VN 7608/160 3D or VZK 060-1/3), stainless steel pin, plastic slide bearing, door weight max. 70 kg, door width max. 1200 mm

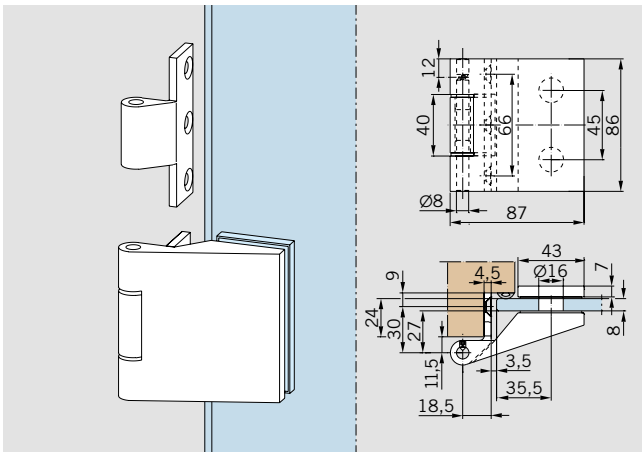
Art. No. 11.291

Weight in kg: alumin. 0.519

Not illustrated:

do. for 40 mm rebate depth, door weight max. 45 kg

Art. No. 11.341

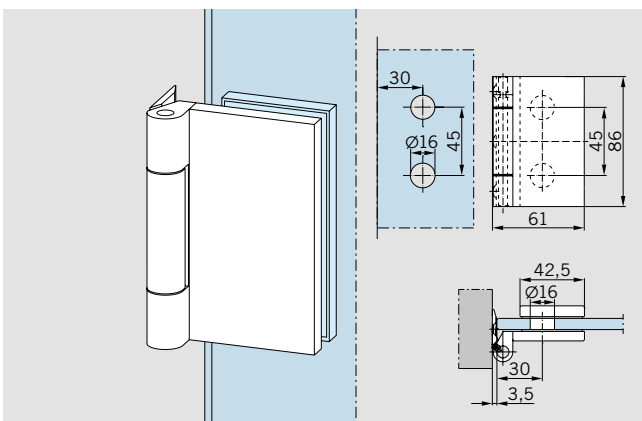


Hinge with frame pivot for wooden frames,

hinge flap for mortising into frame, zinc plated steel pin, plastic bushing, door weight max. 55 kg, door width max. 1000 mm

Art. No. 11.342

Weight in kg: alumin. 0.425



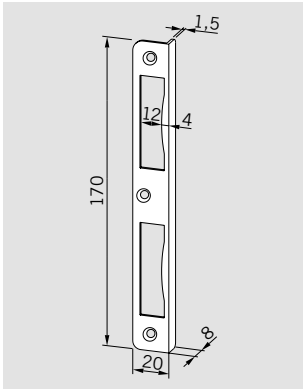
Hinge with frame pivot for non-rebated frames,

hinge flap for screwing onto frame, stainless steel pin, plastic bushing, door weight max. 40 kg, door width max. 1000 mm

Art. No. 11.294

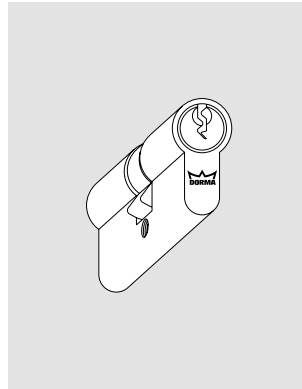
Weight in kg: alumin. 0.205

CORNER STRIKE PLATE



Corner strike plate
Art. No. 11.313
 Weight in kg: alumin. 0.038

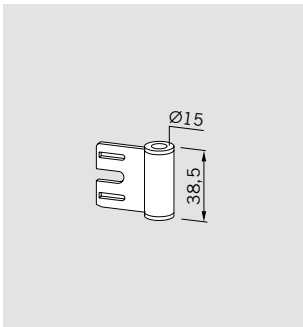
PROFILE CYLINDER



Profile cylinder
 length 61 mm, differently
 keyed, with DORMA Logo
Art. No. 05.001

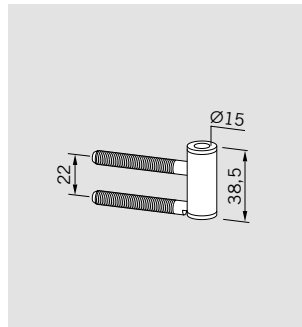
Profile cylinder
 length 61 mm, equally keyed,
 with DORMA Logo
Art. No. 05.002

FRAME PIVOTS AND ACCESSORIES

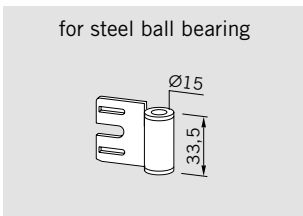


Frame pivot for steel frames,
 zinc plated steel,
 plastic bushing
Art. No. 11.309
 Weight in kg: 0.040

Frame pivot for steel frames,
 stainless steel,
 plastic bushing
Art. No. 11.307
 Weight in kg: 0.045

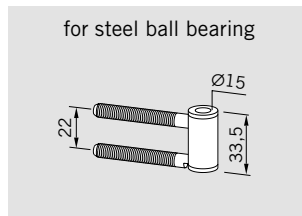


Frame pivot for wooden frames,
 zinc plated steel,
 plastic bushing
Art. No. 11.310
 Weight in kg: 0.055



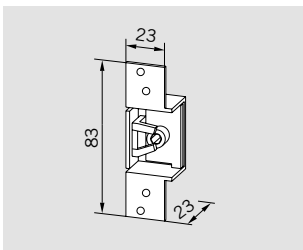
for steel ball bearing

Frame pivot for steel frames,
 zinc plated steel,
 for steel ball bearing,
 door weight max. 60 kg
Art. No. 11.235
 Weight in kg: 0.035

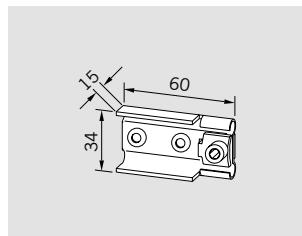


for steel ball bearing

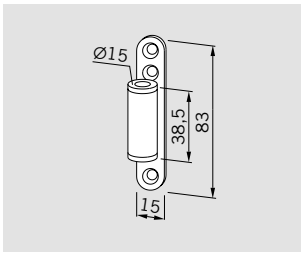
Frame pivot for wooden frames,
 zinc plated steel,
 for steel ball bearing,
 door weight max. 60 kg
Art. No. 11.236
 Weight in kg: 0.050



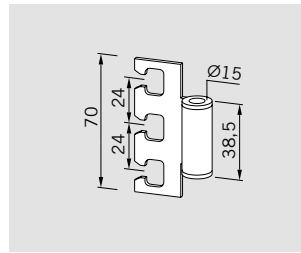
Frame pocket for steel frame,
 zinc plated steel
Art. No. 10.406
 Weight in kg: 0.073



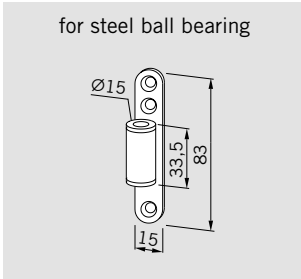
Frame pocket for wooden frame,
 zinc plated steel
Art. No. 10.405
 Weight in kg: 0.060



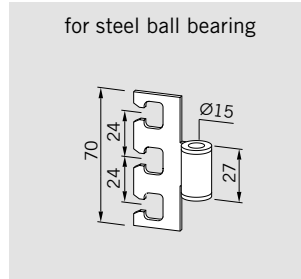
Screw-on frame pivot,
zinc plated steel,
plastic bushing,
door weight max. 55 kg
Art. No. 11.405*
Weight in kg: 0.047



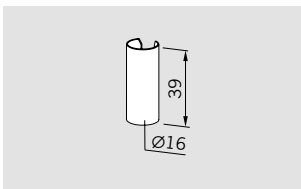
**Frame pivot for 120 mm type
frame pocket,**
stainless steel,
door weight max. 55 kg
Art. No. 11.308
Weight in kg: 0.071



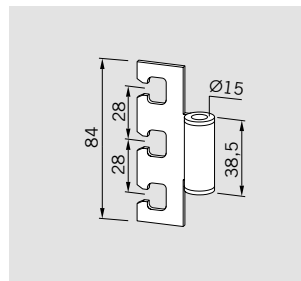
Screw-on frame pivot,
zinc plated steel,
for steel ball bearing,
plastic bushing,
door weight max. 55 kg
Art. No. 11.406**
Weight in kg: 0.046



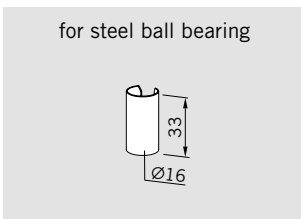
**Frame pivot for 120 mm type
frame pocket,**
stainless steel,
for steel ball bearing,
door weight max. 60 kg
Art. No. 11.248
Weight in kg: 0.048



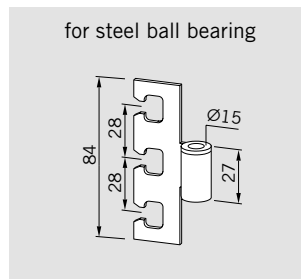
Push-on sleeve
for frame pivots
Art. No. 11.307, 11.309,
11.310, 11.405
Art. No. 11.311
Weight in kg: alumin. 0.002



Frame pivot for VX-frame pocket,
stainless steel, plastic bushing,
for all VX-mating portions,
door weight max. 55 kg
Art. No. 11.304
Weight in kg: 0.060



Push-on sleeve
for frame pivots
Art. No. 11.235, 11.236,
for steel ball bearing
Art. No. 11.006
Weight in kg: alumin. 0.002

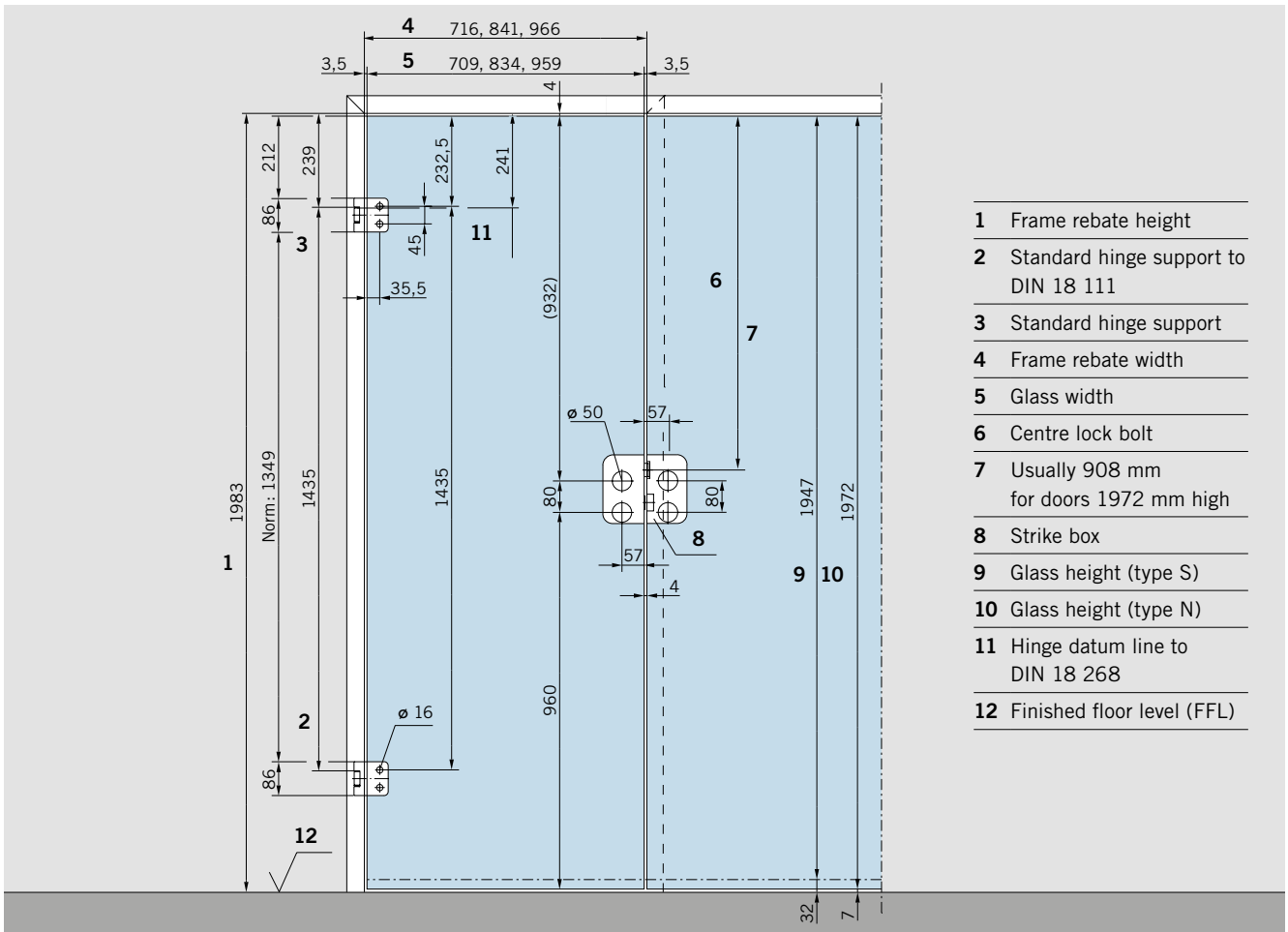


Frame pivot for VX-frame pocket,
stainless steel, for steel ball
bearing, for all VX-mating
portions, door weight max.
60 kg
Art. No. 11.305
Weight in kg: 0.050

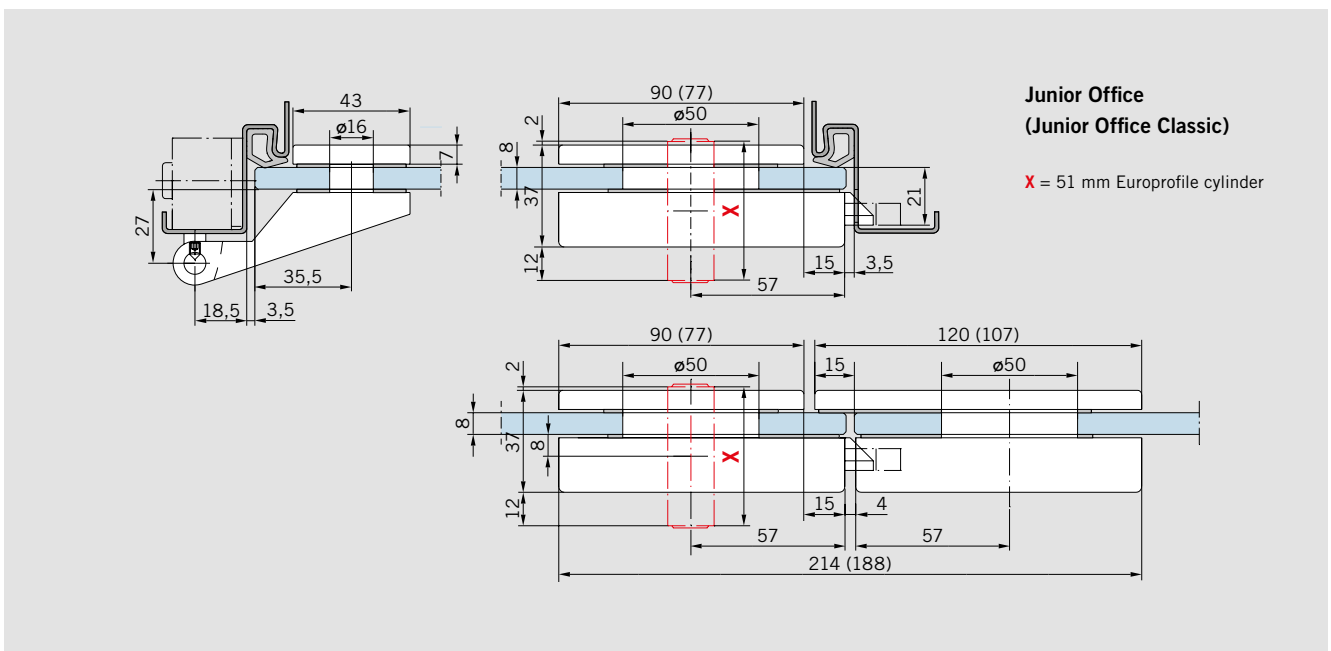
* not usable with Art. No. 11.230 with
finish satin stainless steel (700)
**not usable with Art. No. 11.234 with
finish satin stainless steel (700)

**Further accessories page 66
et sqq.**

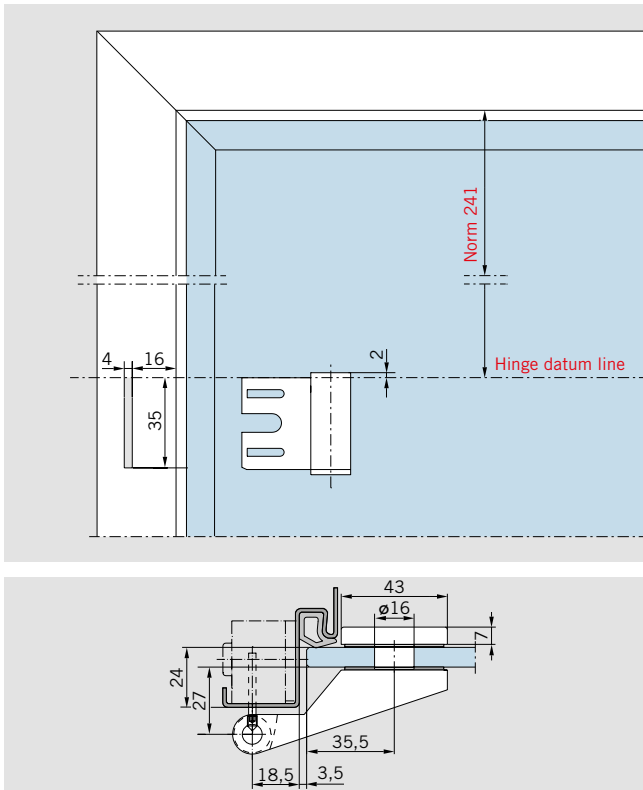
CONSTRUCTION DIMENSIONS FOR FRAME PIVOTS (as to page 61)



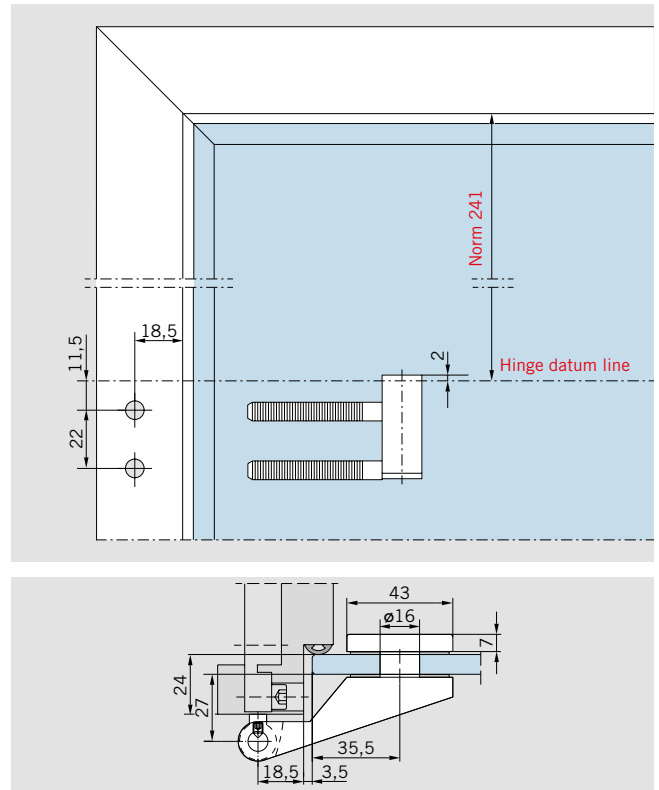
SECTION JUNIOR OFFICE/JUNIOR OFFICE CLASSIC



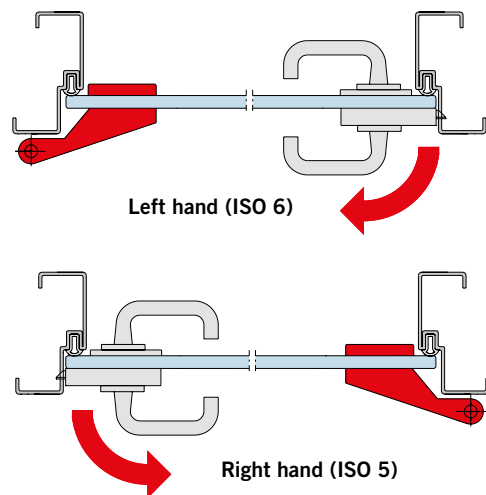
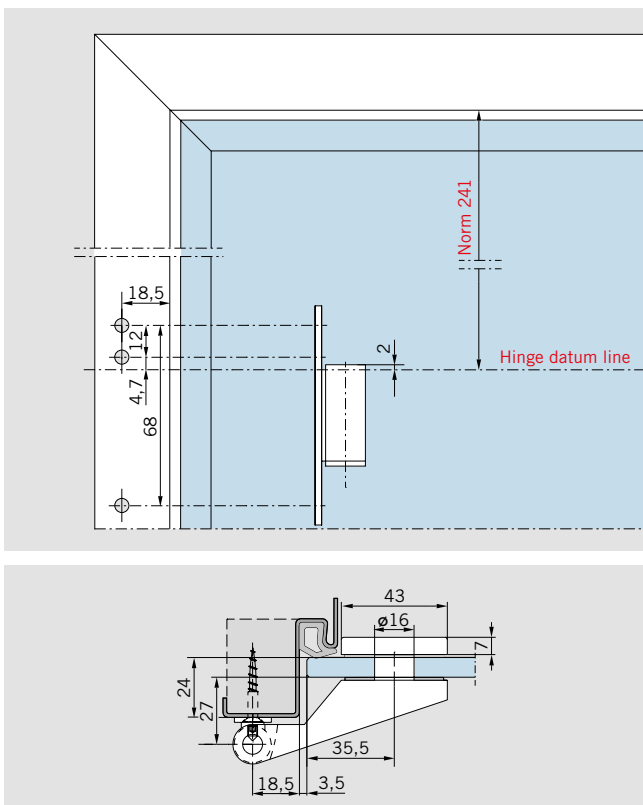
FRAME PIVOTS FOR STEEL FRAMES



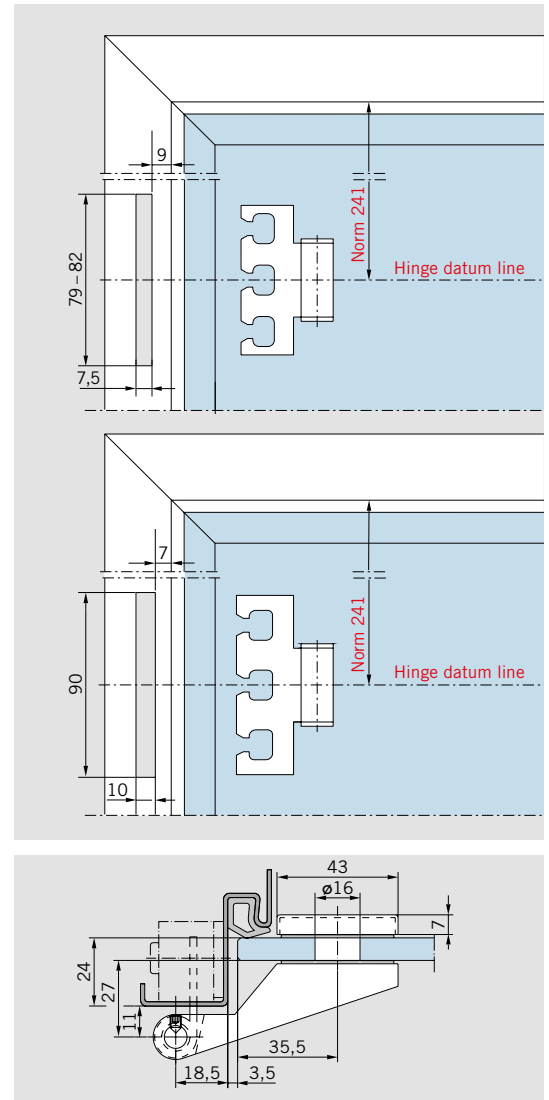
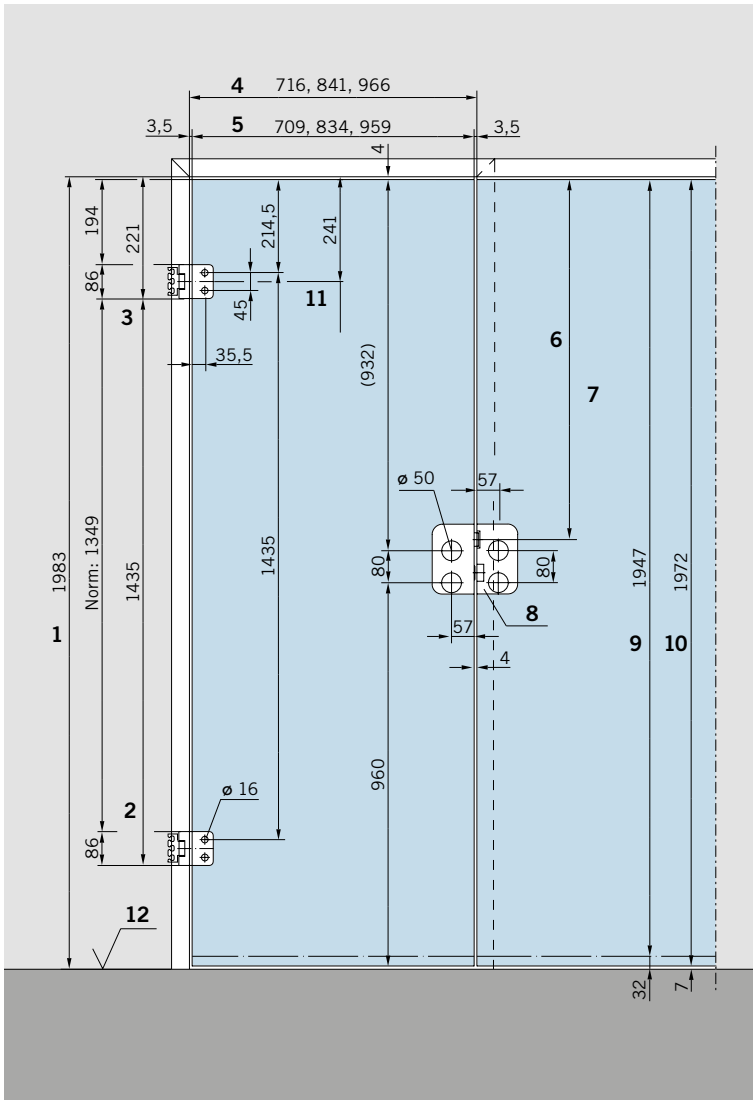
FRAME PIVOTS FOR WOODEN FRAMES



SCREW ON FRAME PIVOT

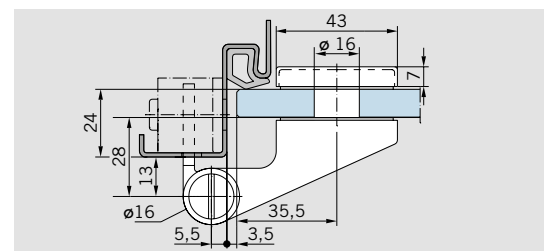
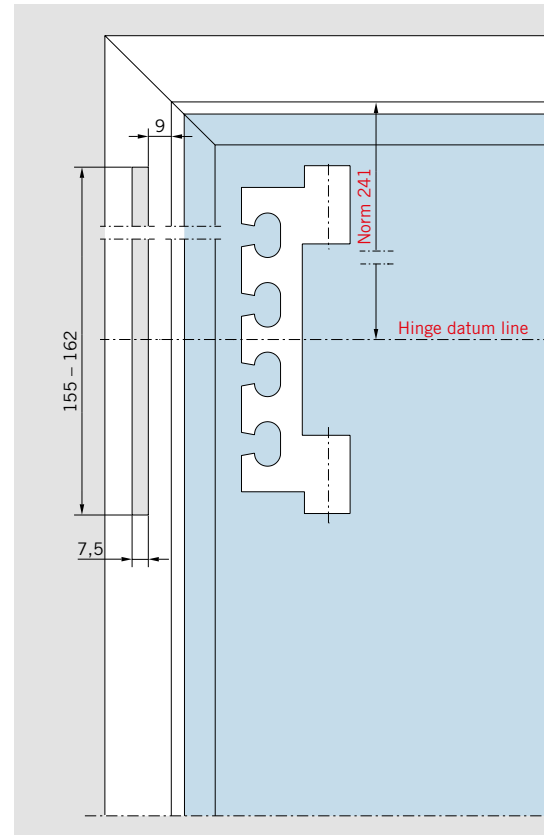
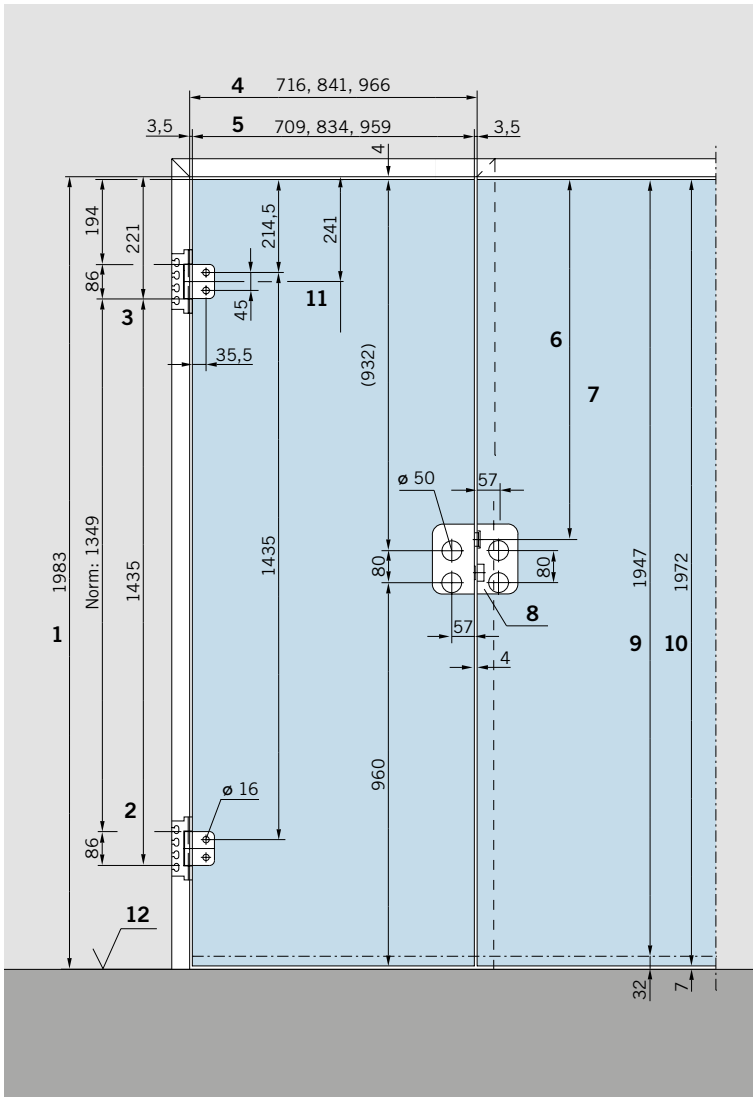


FRAME PIVOT FOR 120 MM TYPE FRAME POCKET AND VX FRAME POCKET



- | | |
|----|---------------------------------------|
| 1 | Frame rebate height |
| 2 | Standard hinge support to DIN 18 111 |
| 3 | Standard hinge support |
| 4 | Frame rebate width |
| 5 | Glass width |
| 6 | Centre lock bolt |
| 7 | Usually 908 mm for doors 1972 mm high |
| 8 | Strike box |
| 9 | Glass height (type S) |
| 10 | Glass height (type N) |
| 11 | Hinge datum line to DIN 18 268 |
| 12 | Finished floor level (FFL) |

FRAME PIVOT FOR 160 MM TYPE FRAME POCKET



- | | |
|----|---------------------------------------|
| 1 | Frame rebate height |
| 2 | Standard hinge support to DIN 18 111 |
| 3 | Standard hinge support |
| 4 | Frame rebate width |
| 5 | Glass width |
| 6 | Centre lock bolt |
| 7 | Usually 908 mm for doors 1972 mm high |
| 8 | Strike box |
| 9 | Glass height (type S) |
| 10 | Glass height (type N) |
| 11 | Hinge datum line to DIN 18 268 |
| 12 | Finished floor level (FFL) |

SPECIAL HINGES / ACCESSORIES

The DORMA stainless steel hinge for internal glass doors stands out for its optical features determined by function. Various special hinges also for door situations independent from rebated frames, as well as door rails and additional accessories complete the range of fittings for internal doors.

**Stainless steel hinge
for internal glass doors**
68

Special hinges
69 - 70

Door rails
71 - 73

Door bolts/Accessories
73 - 74

Mounting of door closers
75 - 76

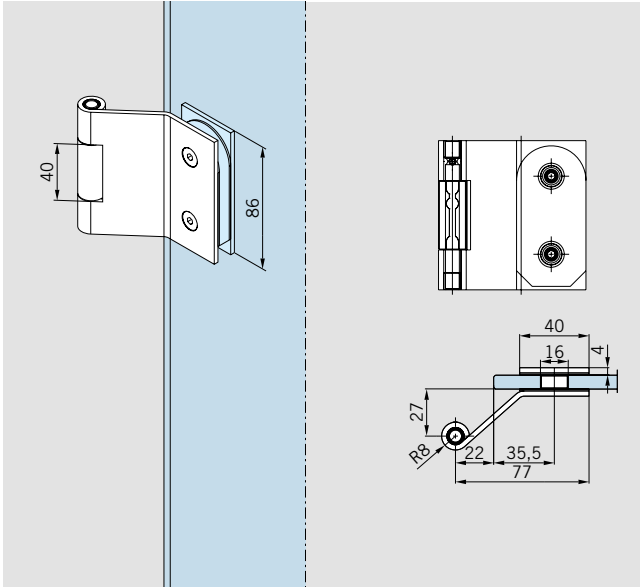
Finishes and colours
78



STAINLESS STEEL HINGE FOR INTERNAL GLASS DOORS

for 8 mm and 10 mm glass

For 8 mm glass thickness / 24 mm rebate depth,
 10 mm glass thickness / 26 mm rebate depth resp.,
 max. door width 1000 mm
 Hinges meet highest corrosion resistance (EN 1670, class 4)
 Versions with rounded angles also available on request



Stainless steel hinge

for frame pivot,
 with stainless steel sleeve,
 stainless steel pin,
 door weight max. 55 kg

Art. No. 11.500

Weight in kg: 0.332

Not illustrated:

Stainless steel hinge
for frame pivot,
 for rebate depth 40 mm, with
 stainless steel sleeve,
 stainless steel pin, door weight
 max. 45 kg

Art. No. 11.502

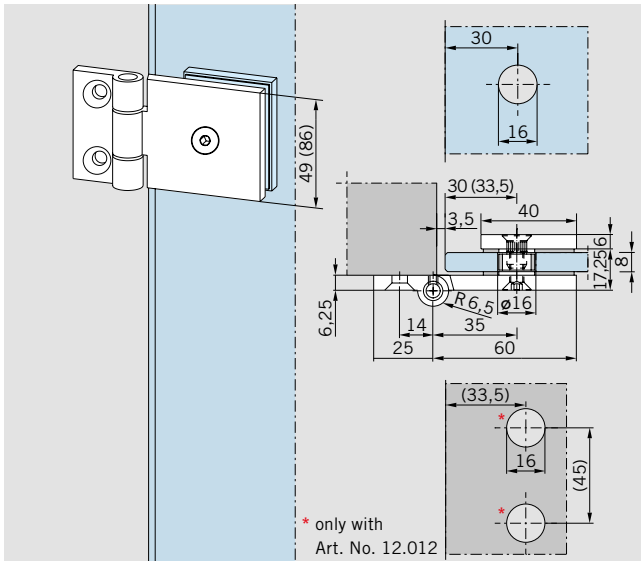
Weight in kg: 0.371

Please note:

Applications / glass preparation like Junior Office and Junior Office Classic (see pages 38 – 59)

Frame pivots on pages 54 – 55.

HINGES FOR 8 MM GLASS THICKNESS



Screw-on hinge without covers,
49 mm, stainless steel pin,
plastic bushing,
door weight max. 30 kg

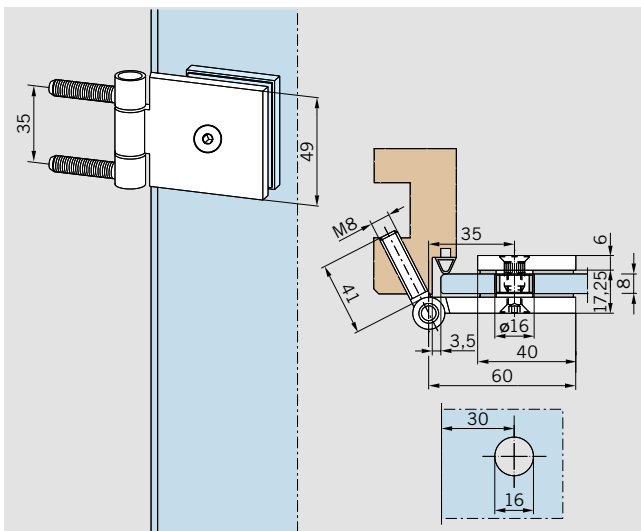
Art. No. 12.010
Weight in kg: alumin. 0.130

Not illustrated:
Screw-on hinge with 3 covers,
49 mm, stainless steel pin,
plastic bushing,
door weight max. 30 kg

Art. No. 12.011
Weight in kg: alumin. 0.152

Not illustrated:
**Screw-on hinge with cover
for clamping plate,**
86 mm, stainless steel pin,
plastic bushing,
door weight max. 45 kg

Art. No. 12.012
Weight in kg: alumin. 0.215

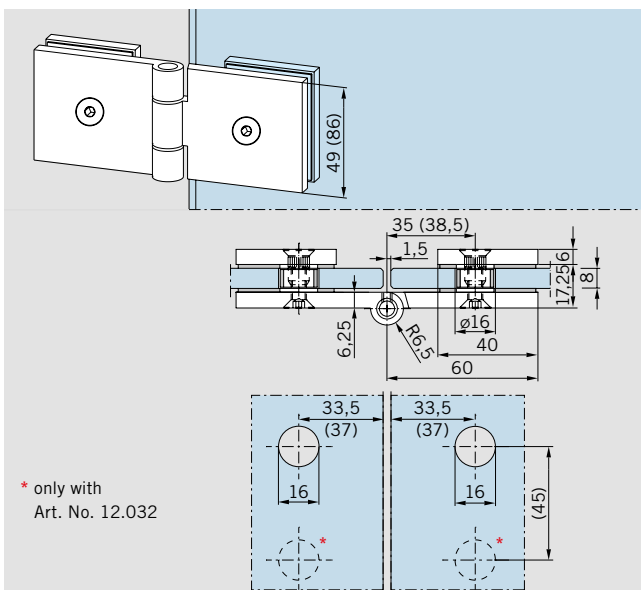


Screw-in hinge without covers,
49 mm, stainless steel pin,
plastic bushing,
frame pivot zinc plated steel,
door weight max. 30 kg

Art. No. 12.020
Weight in kg: alumin. 0.147

Not illustrated:
Screw-in hinge with 2 covers,
49 mm, stainless steel pin,
plastic bushing,
frame pivot zinc plated steel,
door weight max. 30 kg

Art. No. 12.021
Weight in kg: alumin. 0.174



Double hinge without covers,
49 mm, stainless steel pin,
plastic bushing,
door weight max. 30 kg

Art. No. 12.030
Weight in kg: alumin. 0.208

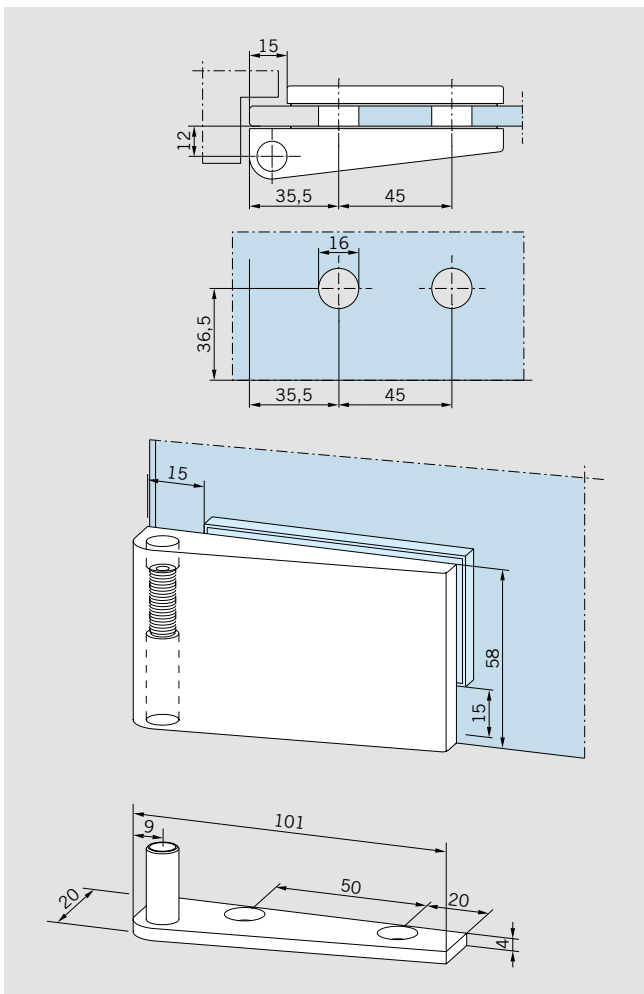
Not illustrated:
Double hinge with 4 covers,
49 mm, stainless steel pin,
plastic bushing,
door weight max. 30 kg

Art. No. 12.031
Weight in kg: alumin. 0.243

Not illustrated:
**Double hinge with covers
for clamping plates,**
86 mm, stainless steel pin,
plastic bushing,
door weight max. 45 kg

Art. No. 12.032
Weight in kg: alumin. 0.344

CORNER HINGES FOR 8 MM AND 10 MM GLASS THICKNESS



Corner hinges, pairs,
with free glass edge (for rebate)
on top resp. underneath and at
side, height adjustable,
extended colour options,
door weight max. 35 kg

for 8 mm glass thickness

Art. No. 12.001

for 10 mm glass thickness

Art. No. 12.009

Weight in kg: alumin. 0.588
brass 1.006

Pair of floor and top pivot
for corner hinges, brass satin
chromed, stainless steel pin

Art. No. 12.016

Weight in kg: 0.182

Piece of floor socket/top pivot
left bottom/top right

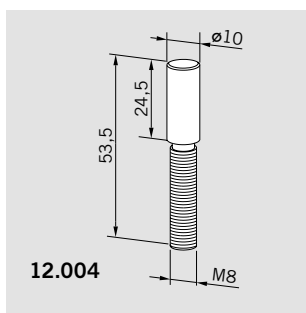
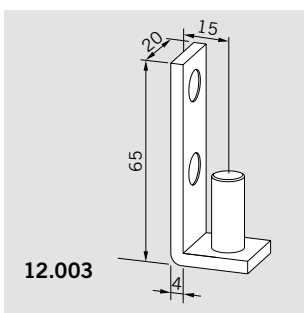
Art. No. 12.014

Weight in kg: 0.091

Piece of floor socket/top pivot
right bottom/top left

Art. No. 12.015

Weight in kg: 0.091



Frame fixed pivot
for corner hinges,
brass satin chromed,
stainless steel pin

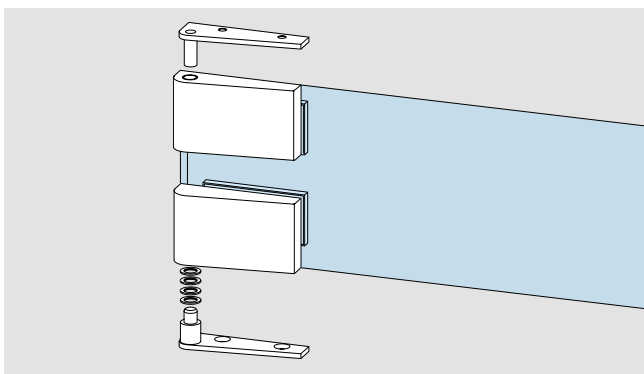
Art. No. 12.003

Weight in kg: 0.132

Screw-in pivot,
stainless steel

Art. No. 12.004

Weight in kg: 0.048



Set of corner hinges,
for 8 and 10 mm glass thickness
with free glass edge (for rebate)
on top resp. underneath and
at side (glass preparation like
Art. No. 12.001)

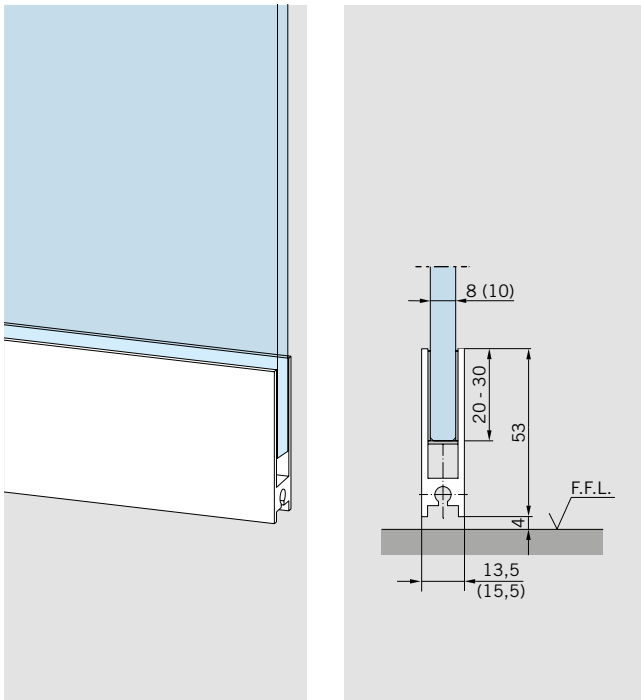
Consisting of
1 floor pivot,
1 bottom corner hinge (height
adjustable),
1 top pivot,
1 top corner hinge,
door weight max. 80 kg
door width max. 1100 mm

Art. No. 12.040 L (as illustr.)

Art. No. 12.041 R

Weight in kg: alumin. 0.825

DOOR RAILS FOR 8 MM AND 10 MM GLASS THICKNESS



Door rail, push on fit,
with pair of plastic end caps

norm length 834 mm

8 mm glass thickness

Art. No. 12.102

10 mm glass thickness

Art. No. 12.122

norm length 959 mm

8 mm glass thickness

Art. No. 12.103

10 mm glass thickness

Art. No. 12.123

stock length 1200 mm

8 mm glass thickness

Art. No. 12.104

10 mm glass thickness

Art. No. 12.124

fixed length 1200 mm

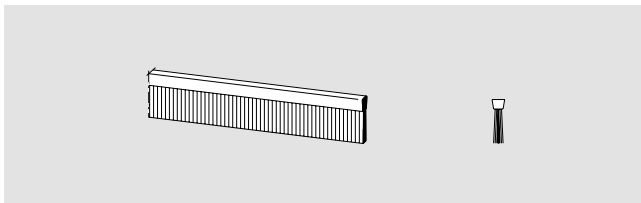
8 mm glass thickness

Art. No. 12.100

10 mm glass thickness

Art. No. 12.120

Weight in kg/m: alumin. 0.833



Brush seal

slides into rail profile,
with plastic brush,
5 mm projection,

stock length 2000 mm

Art. No. 12.110

fixed length 1200 mm

Art. No. 12.111

Weight in kg: 0.140

Not illustrated:

Plastic end cap,

black, for 8 mm glass thickness

Art. No. 12.106

Weight in kg:

0.001

Plastic end cap,

black, for 10 mm glass thickness

Art. No. 12.109

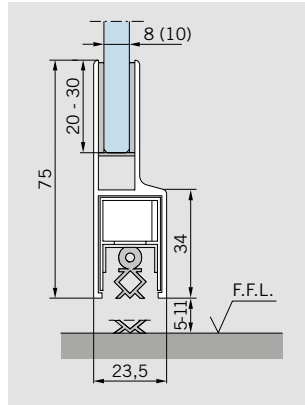
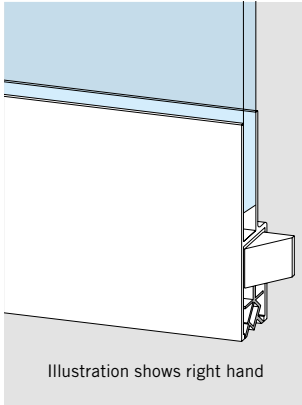
white, for 10 mm glass thickness

Art. No. 12.108

Weight in kg:

0.001

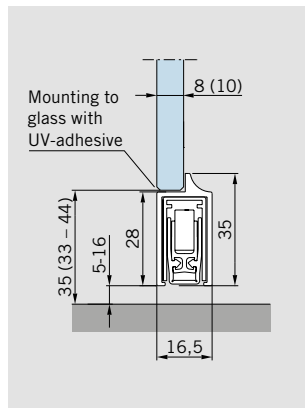
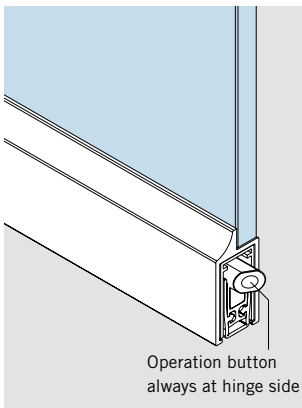
DOOR RAILS WITH AUTOMATIC SEALS



Door rail with automatic seal, push on fit

Lengths	Art. No.			
	8 mm glass thickness		10 mm glass thickness	
	Left hand	Right hand	Left hand	Right hand
834 mm	12.202	12.203	12.212	12.213
959 mm	12.204	12.205	12.214	12.215
Fixed length up to 1200 mm	12.200	12.201	12.210	12.211

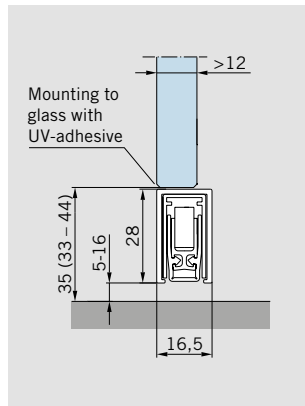
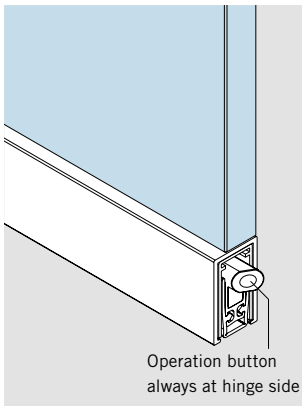
Weight in kg/m: alumin. 1.559



Automatic Seal Planet KG D 8 / KG D 10

Lengths	Art. No.	
	8 mm glass thickness	10 mm glass thickness
	KG D 8	KG D 10
834 mm	12.230	12.231
959 mm	12.235	12.236
1084 mm	12.245	12.246
1209 mm	12.240	12.241

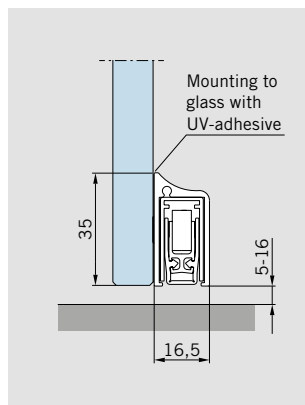
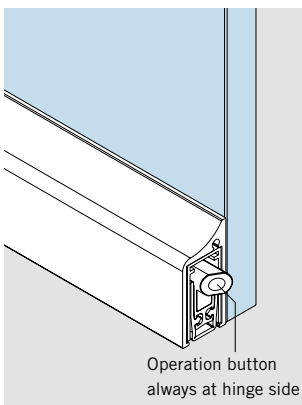
Weight in kg/m: alumin. 0.771



Automatic Seal Planet KG-U

Lengths	Art. No.
	≥ 12 mm glass thickness
	KG-U
834 mm	12.233
959 mm	12.238
1084 mm	12.248
1209 mm	12.243

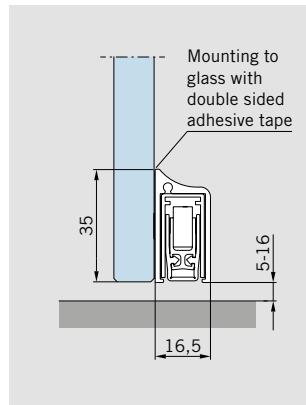
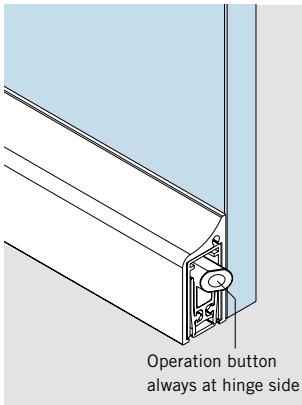
Weight in kg/m: alumin. 0.629



Automatic Seal Planet KG-S

Lengths	Art. No.
	KG-S
834 mm	12.232
959 mm	12.237
1084 mm	12.247
1209 mm	12.242

Weight in kg/m: alumin. 0.789

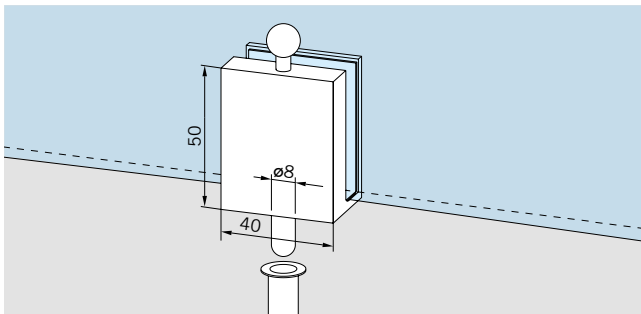


Automatic Seal Planet
Complete set with double sided adhesive tape
KG-SM

Lengths	Art. No.
	KG-SM
834 mm	12.234
959 mm	12.239
1084 mm	12.249

Weight in kg/m: alumin. 0.789

DOOR BOLTS

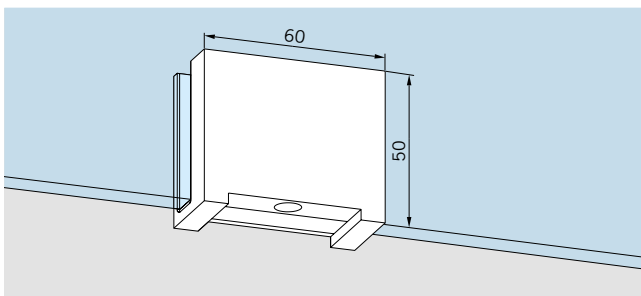


Slide over door bolt,
for 8 mm glass thickness,
with floor socket

Art. No. 12.301
Weight in kg: alumin. 0.121

Slide over door bolt,
for 10 mm glass thickness,
with floor socket

Art. No. 12.302
Weight in kg: alumin. 0.113



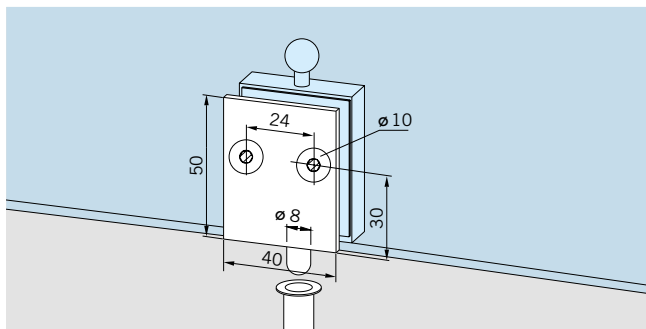
Slide over strike box,
for 8 mm glass thickness,
to slide over door bolt
Art. No. 12.301

Art. No. 12.314
Weight in kg: alumin. 0.130

Slide over strike box,
for 10 mm glass thickness,
to slide over door bolt
Art. No. 12.302

Art. No. 12.317
Weight in kg: alumin. 0.130

DOOR BOLTS



Door bolt,
on glass preparation,

for 8 mm glass thickness

Art. No. 12.312

for 10 mm glass thickness

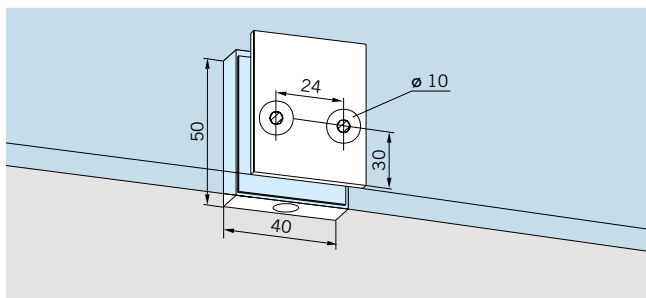
Art. No. 12.315

Weight in kg: alumin. 0.121

Door belt,
on glass preparation, with
free glass edge for
8 + 10 mm glass thickness

Art. No. 12.318

Weight in kg: alumin. 0.099



Strike box,
on glass preparation,
for 8 mm glass thickness,
to door bolt Art. No. 12.312

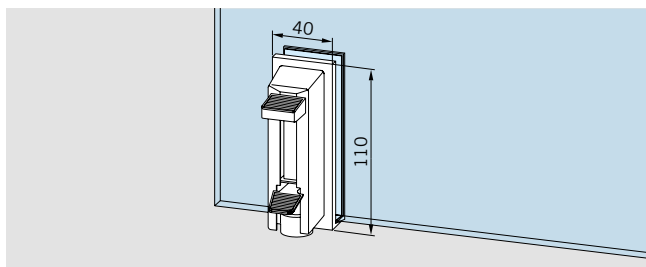
Art. No. 12.313

Weight in kg: alumin. 0.087

Strike box,
on glass preparation,
for 10 mm glass thickness,
to door bolt Art. No. 12.315

Art. No. 12.316

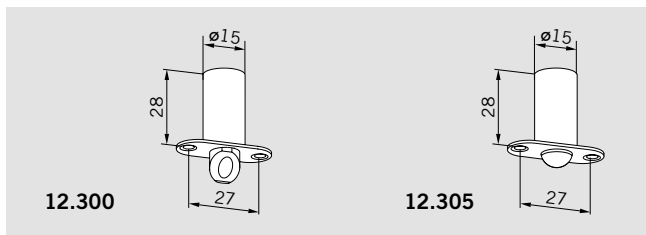
Weight in kg: alumin. 0.087



Slide over telescopic door bolt,
for 8, 10 and 12 mm glass
thickness, similar anodised
lacquer

Art. No. 12.320

Weight in kg: alumin. 0.365



Door catch,
plastic

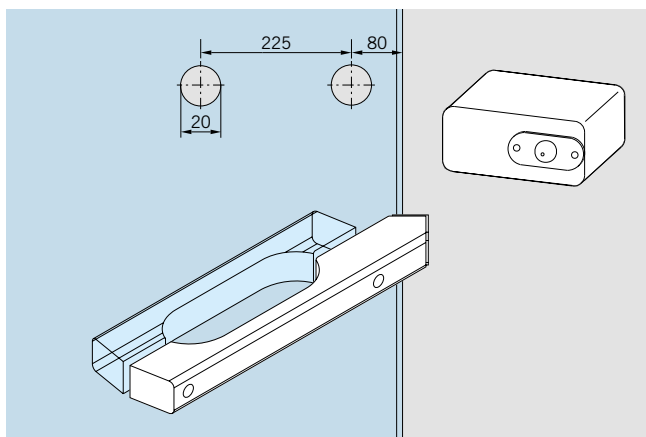
Art. No. 12.300

Weight in kg: 0.007

Door catch,
plastic with round bolt

Art. No. 12.305

Weight in kg: 0.007



Wooden snapper block
for sauna

Art. No. 13.006

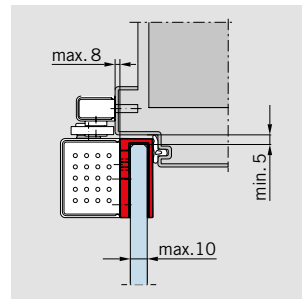
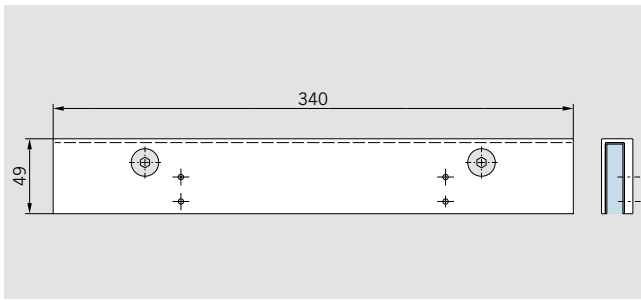
Weight in kg: 0.045

Wooden handle
for sauna

Art. No. 13.005

Weight in kg: 0.267

SADDLE PLATE FOR TS 97

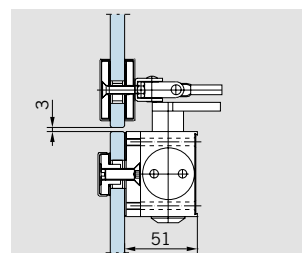
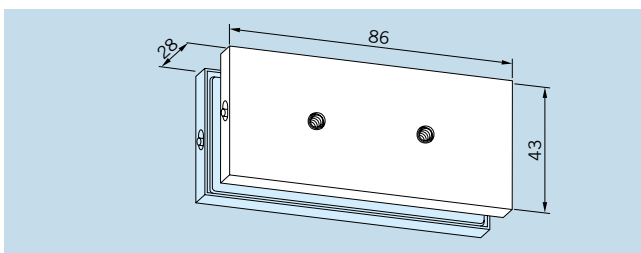


Saddle plate for TS 97

No glass recess machining or drilling required.

The DORMA TS 97 with this special glass fixing bracket should be used with ARCOS Studio and ARCOS Office/Junior Office hinges.

ACCESSORIES FOR DOOR CLOSER TS 73 V

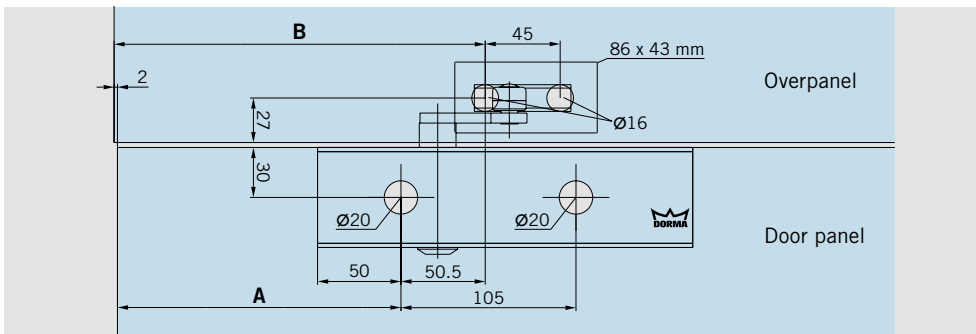


Fixing plate

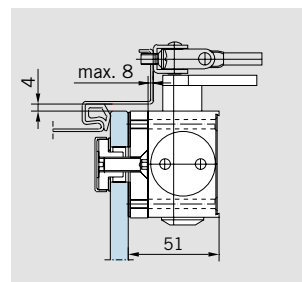
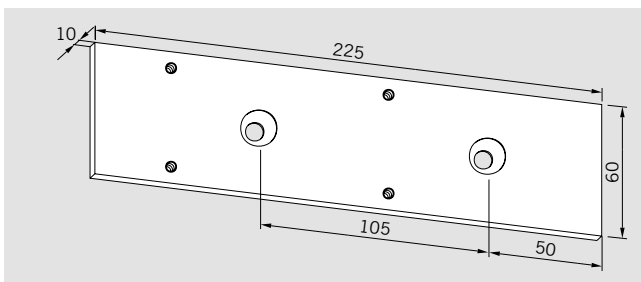
for DORMA TS 73 V, closer arm for overpanel

Art. No. 12.330

Weight in kg: alumin. 0.132



Pivot point fitting	A	B
EA (AT)	195	248
Universal/EP	245	298
Studio/Junior	170	223
ARCOS Universal	262	315

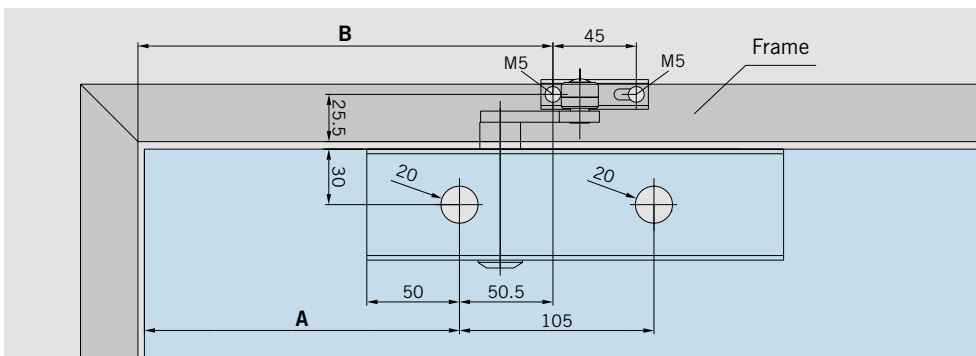


Fixing plate

225 mm, for DORMA TS 73 V

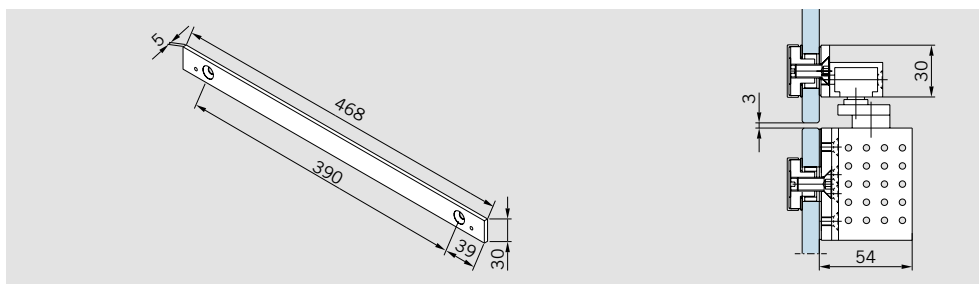
Art. No. 12.335

Weight in kg: alumin. 0.289



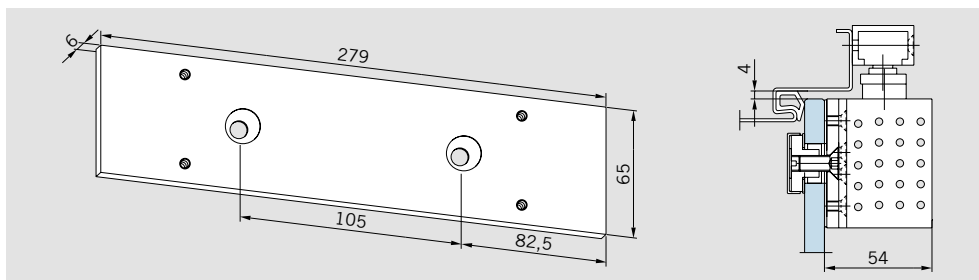
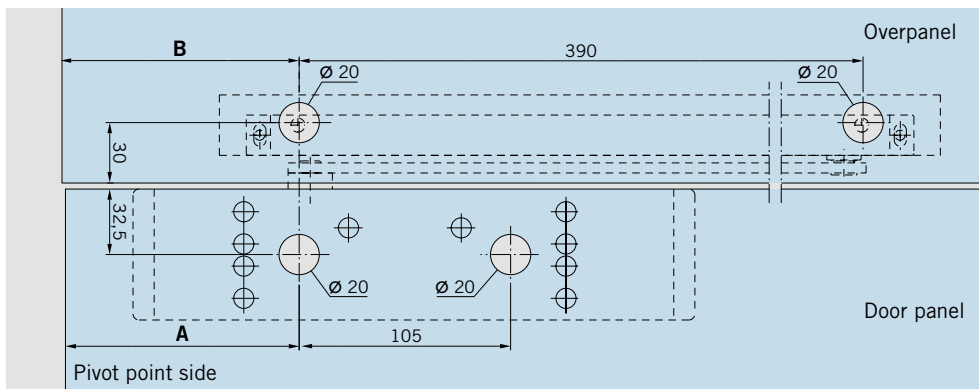
Pivot point fitting	A	B
EA (AT)	195	248
Universal/EP	245	298
Studio/Junior	170	223
ARCOS Universal	262	315

ACCESSORIES FOR DOOR CLOSER TS 92



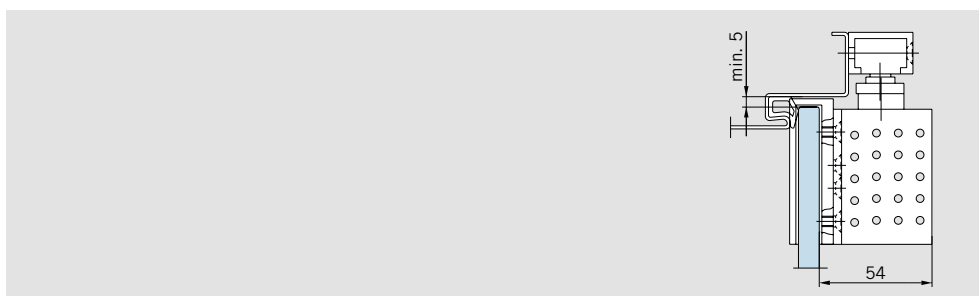
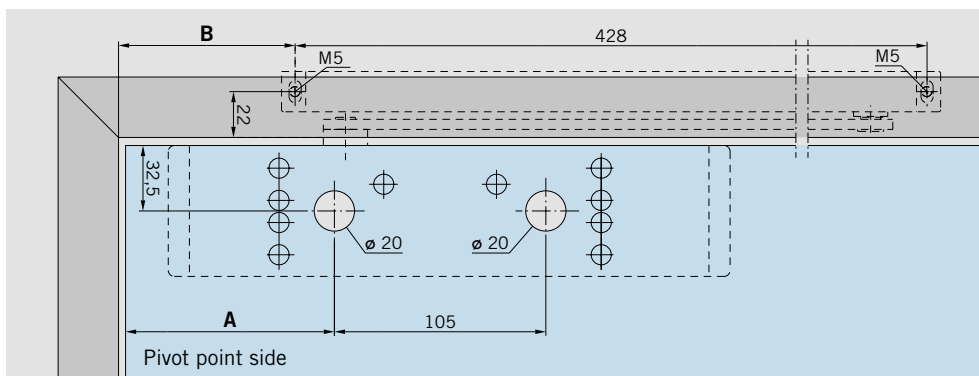
Fixing plate
for DORMA TS 92,
slide channel for overpanel
Art. No. 12.332
Weight in kg: alumin. 0.265

Pivot point fitting	A	B
EA (AT)/EP	200	202
Universal	250	252
Studio/Junior	148	150
ARCOS Universal	265	267



Fixing plate
279 mm,
for DORMA TS 92
Art. No. 12.334
Weight in kg: alumin. 0.290

Pivot point fitting	A	B
EA (AT)/EP	200	182
Universal	250	232
Studio/Junior	148	132
ARCOS Universal	265	247



Saddle plate
and door closer TS 92 are
available at DORMA, Ennepetal,
or at special suppliers for
building hardware.

FINISHES AND COLOURS

All the common patterns and types are available ex-stock (factory) with the following finishes and colours.

Specials and glass assemblies in bespoke colour anodising and powder coating will be prepared promptly.

Standard finishes and colours	MEDIO	Studio Rondo	Studio Classic	Studio Gala	Junior Office Classic	Junior Office
Aluminium, silver anodised, EV1, C0 (101)		●	●	●	●	●
Aluminium, silver EV2 (102)		●				
Aluminium, silver gleaming (103)				●		
Aluminium, brass anodised (105)		●	●			●
Aluminium, similar stainless steel (107)	●	●	●	●	●	●
Aluminium, dark bronze anodised, DB14, MC1003, C34 (108)		●				
Aluminium, silver EV1 Deco (114)	●					
Aluminium, bespoke colour anodising (199)	●	●	●	●	●	●
Aluminium, white powder coated, RAL 9016 (300)		●	●	●	●	●
Bespoke powder coating (399)	●	●	●	●	●	●
Brass, polished chrome (501)		●		●		●
Brass, polished varnished (502)		●		●		●
Satin stainless steel (700)						●

General care instructions

The surface finishes of the fittings are not maintenance-free and should be cleaned according to their material and design.

- For metallic surfaces (anodised finishes, stainless steel) please use appropriate cleaning agents without abrasive additives only.
- For varnished surfaces please use appropriate solvent-free cleaning agents only.
- Brass surfaces (without surface protection) have to be treated with an appropriate maintenance agent on occasion, to avoid tarnishing.

The printed colours indicating the surface finishes are not 100% true, but do provide a useful guide.

Statements made with regard to the nature or use of the products are for the purposes of descriptions. Assent with regard to the existence of particular properties or particular uses always requires special written agreement.

Subject to change without notice.



PLANNING TOOL



For planning of intelligent glass solutions we offer you several planning tools which allow you to create secure and professional solutions for any kinds of glass doors and toughend glass assemblies.

Your benefits:

- Easy to operate
 - Professional and error-free preparation of offers
 - Rapid response to incoming requests for quotations
 - Highly reduced planning costs for time and money savings
- DGES Fittings (for internal doors and toughend glass assemblies),
 - DGES HSW (for horizontal sliding walls),
 - MANET COMPACT planning tool (for MANET pivoting and sliding doors)

The planning tools DGES and MANET COMPACT enable you to prepare designs and cost calculations quickly, reliably and professionally. The software provides you with all necessary documentation such as dimensioned technical drawings, glass sizes and preparation measures.

SAFETY-RELATED INFORMATION

Important safety-related information for the mounting and use of DORMA glass fittings. (Follow these instructions in addition to the mounting and operating instructions in order to avoid damage of product and damage to person or property.)

Important: All users have to be informed about relevant points mentioned in these safety-related information and the mounting and operating instructions!

General information

1. DORMA recommends using TSG-H (heat soaked toughened safety glass) to DIN EN 12150-1.
2. DORMA glass fittings are not suitable for application in rooms where chemicals (e. g. chlorine) are used such as indoor swimming pools, saunas or salt-water pools.
3. Never move sliding panels faster than walking speed and always stop the door manually before it reaches end position.
4. Do not shut swing doors with excessive force. Install door stop to prevent door from opening too far.

Mounting

1. Only properly qualified and specially trained staff is authorised to mount DORMA glass fittings.
2. Never use glass with conchoidal fractures and/or damaged edges.
3. Due to crushing hazards – among others in the area of the secondary closing edge – and possible injury caused by breakage of glass during mounting, corresponding protective clothing (especially gloves and protective goggles) is required.
4. Clean clamping area with fat solvent (standard commercial cleaning agent) before mounting the glass fitting.
5. Never use clamping shoes on structured glass surfaces (except on satined glass) or glass of heavily varying thickness unless with a corresponding levelling layer.
6. Never use clamping shoes on self-cleaning coatings.
7. When adjusting glass elements, always stick to the required clearance for the respective fitting. Adjust clearance so that the glass does not touch hard components such as glass, metal or concrete.
8. Make sure not to use excessive force when installing the glass (avoid local stress resulting from very tight screws).

Maintenance

Check fittings at regular intervals for proper positioning and smooth running and door for correct adjustment. Especially highly-frequented door systems require inspection by properly qualified staff (specialised companies or installation firms). Immediately replace damaged glass elements (no glass flaking and/or conchoidal fractures)!



DORMA Deutschland GmbH
DORMA Platz 1
58256 ENNEPÉTAL
GERMANY
Phone +49 2333 793-0
Fax +49 2333 793-4950
www.dorma.com

DORMA-Glas GmbH
Max-Planck-Straße 33-45
32107 BAD SALZUFLEN
GERMANY
Phone +49 5222 924-100
Fax +49 5222 924-3100
www.dorma.com