

A collection of various metal and plastic components for floor springs, including brackets, rollers, and adjustment parts, arranged on a light gray background. Some parts are silver-colored metal, while others are dark gray or white plastic. One metal part has "MADE IN GERMANY" stamped on it.

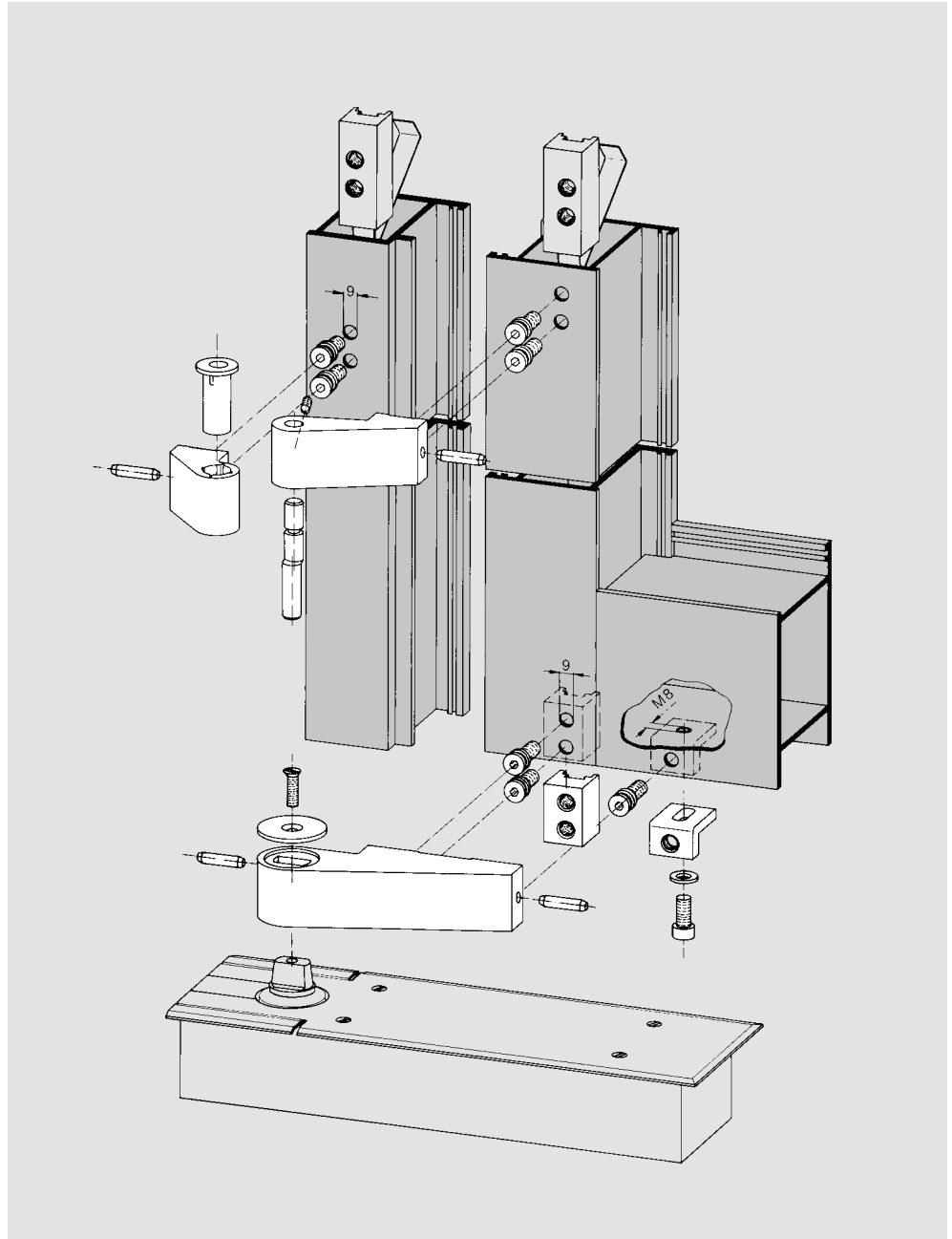
BTS ACCESSORIES

Floor Spring
Accessories

FOR SINGLE ACTION ALUMINIUM DOORS

Aluminium door straps

- For flush-closing single action aluminium doors of various types
- Door width up to 1200 mm, door weight up to 120 kg
- Non-handed
- Easy to fix – no milling or routing necessary, only 4 holes to drill
- Fast and simple installation with lock-pin arrangement
- Robust and secure installation with backplates and reinforcing angle bracket on door strap
- Steel insert press-fitted in aluminium door strap gives close tolerance connection to spindle.



Typical installation: DORMA aluminium hinge, 36 mm, and DORMA aluminium door strap with BTS floor spring (or alternatively DORMA pivot bearing).

DORMA aluminium door strap

Art. No. 7459

Silver (EV 1, Euras C-0):

Order No. 45010409

Special colours on request.

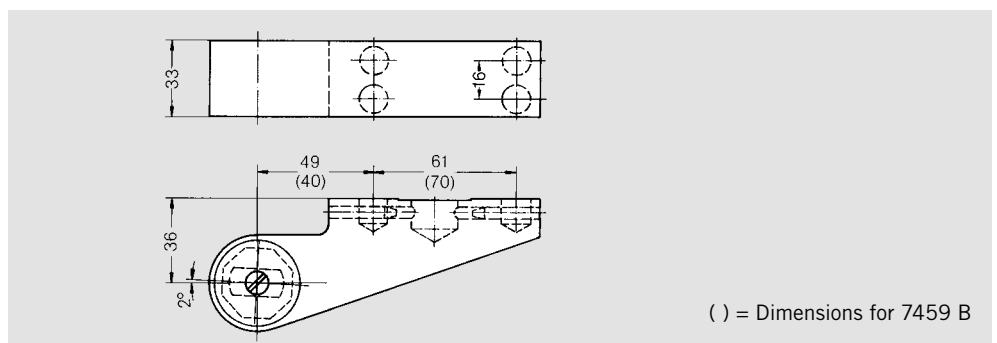
DORMA aluminium door strap

Art. No. 7459 B

Silver (EV 1, Euras C-0):

Order No. 45010482

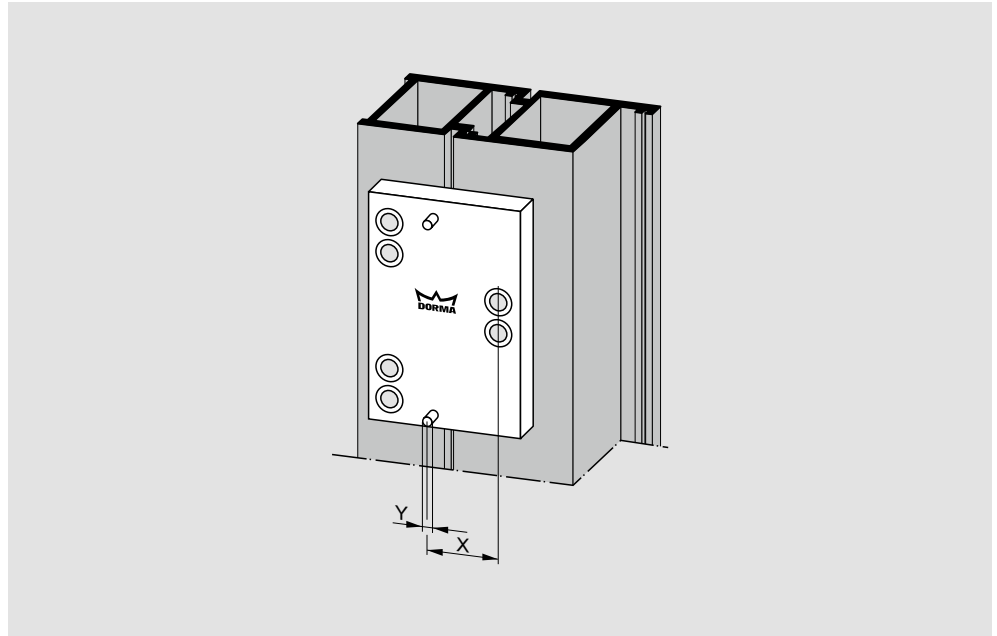
Special colours on request.



() = Dimensions for 7459 B

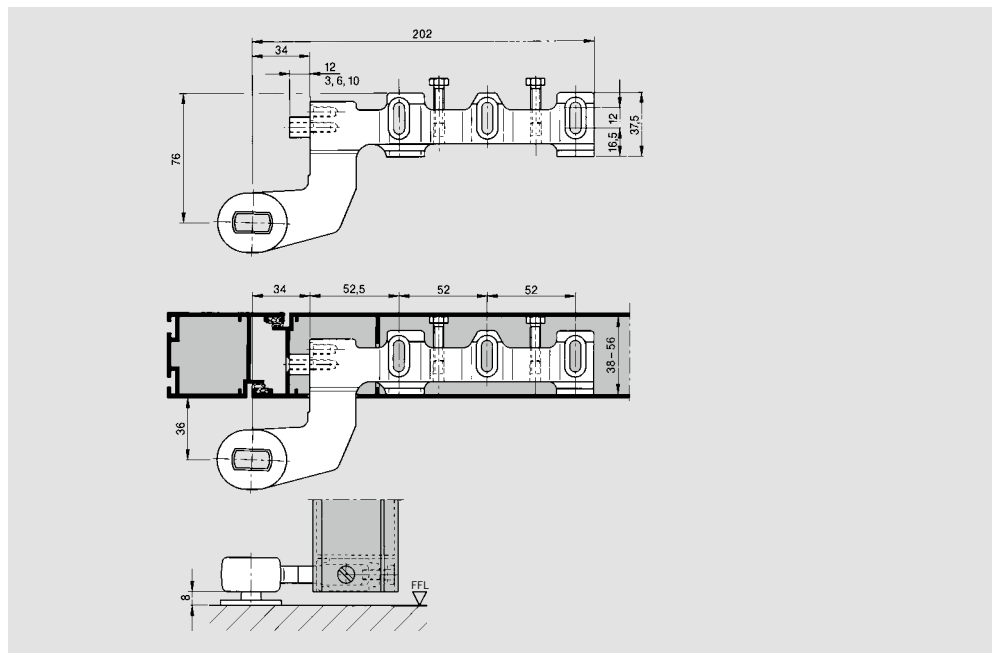
Drill jig for aluminium hinges

For standard hinges (9 mm dia.),
for IK (insulated construction)
hinges (11 mm dia.) and also
for 2 and 3-part hinges;
indicate dimensions x and y or
the profile.



Door strap

Art. No. 7456/1
Drop forged steel; adjustable
to various profile systems,
non-handed.
Order No. 45010006



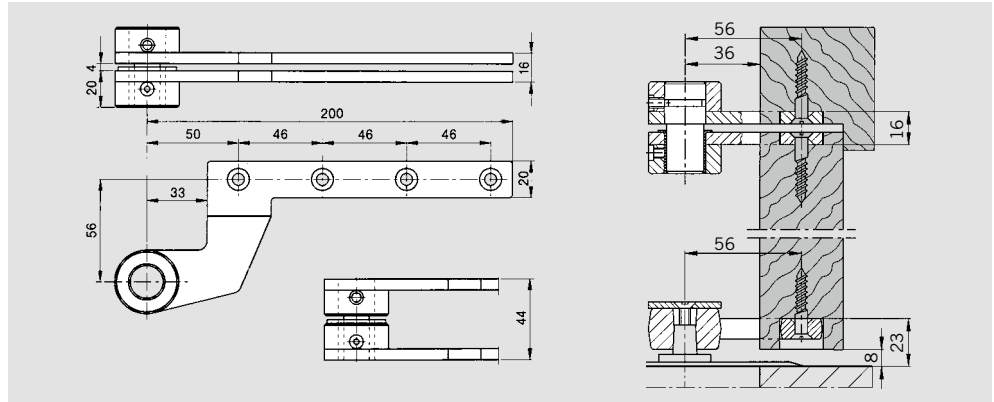
Cover caps

See pages 4 and 5,
Art. No. 7481 and 7482.

FOR SINGLE ACTION TIMBER DOORS (FLUSH-CLOSING)

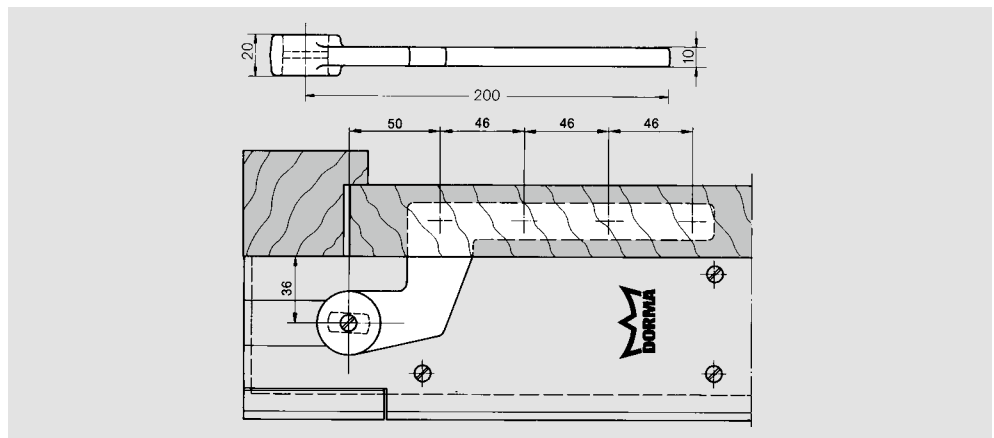
Top centres

Art. No. 7411 K/56
 Zinc-plated steel; with eccentric pin and bush for adjustment after hanging the door; non-handed.
 Order No. 45300016



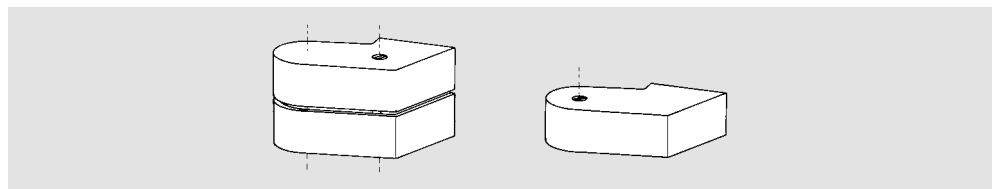
Door strap

Art. No. 7411/56
 Drop forged steel, zinc-plated.
 Order No. 45010003



Top washer for door strap

Art. No. 7432
 Stainless steel
 Order No. 45090030



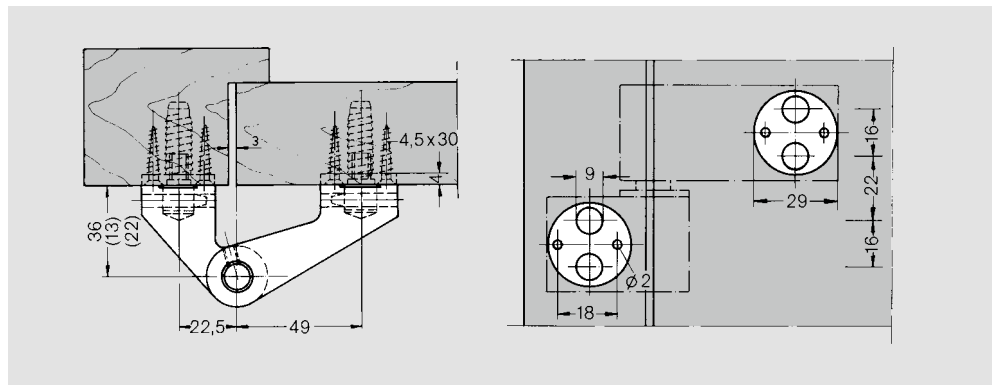
Cover caps

For top centres and door strap

Type	Order No. for cover caps		
	for top centres, two parts	for door strap, single	
		LH (ISO 6)	RH (ISO 5)
Die cast aluminium Art. No. 7483/7481			
Mill finish	45500301	45055300	45051300
Silver (EV 1, Euras C-0)	45500401	45055400	45051400

LM pivot hinges with fixing for non-rebated timber doors

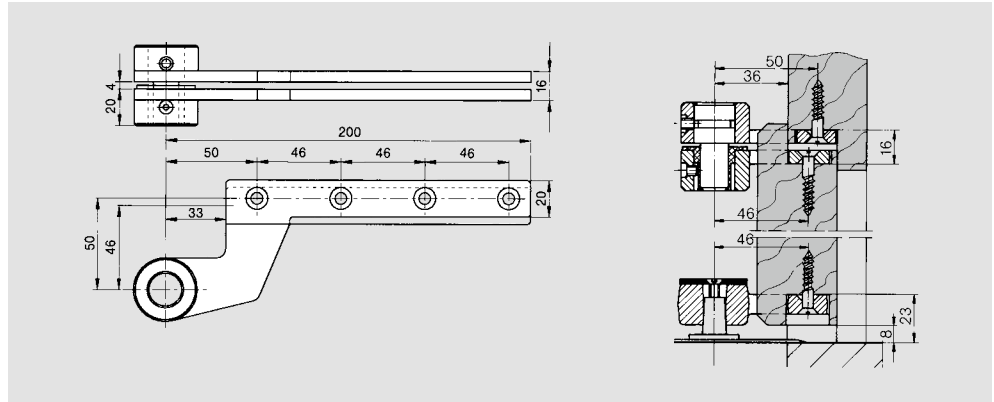
Offset in mm	Art. No.
36	A-36.10
22	A-22.10
13	A-13.10



FOR SINGLE ACTION TIMBER DOORS (REBATED)

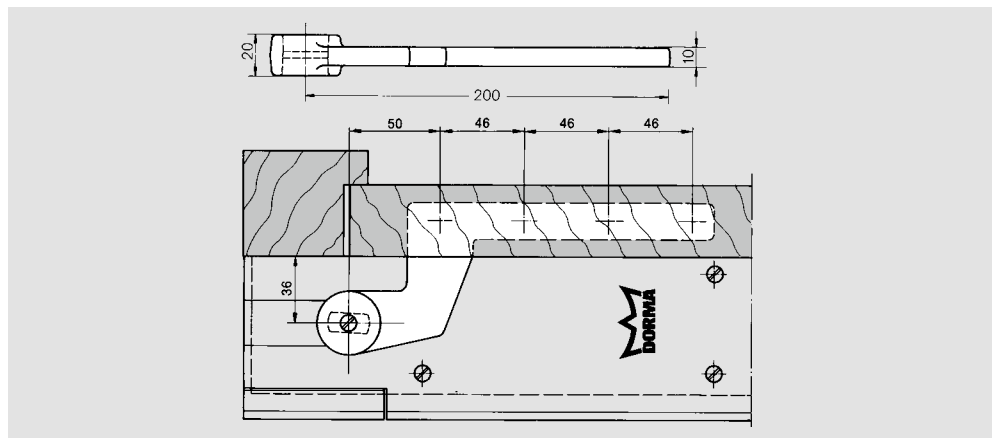
Top centres

Art. No. 7411 K/46
 Zinc-plated steel; with eccentric pin and bush for adjustment after hanging the door; handed.
 LH (ISO 6) door
 Order No. 45305015
 RH (ISO 5) door
 Order No. 45301015



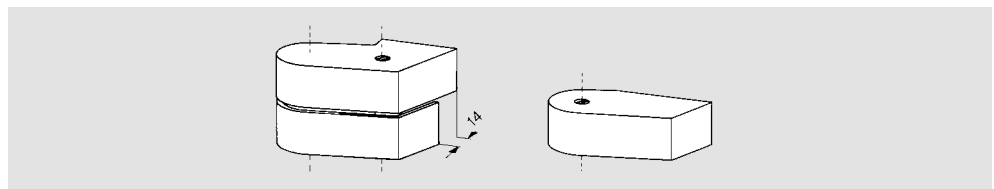
Door strap

Art. No. 7411/46
 Drop forged steel, zinc-plated.
 Order No. 45010000



Top washer for door strap

Art. No. 7432
 Stainless steel
 Order No. 45090030



Cover caps

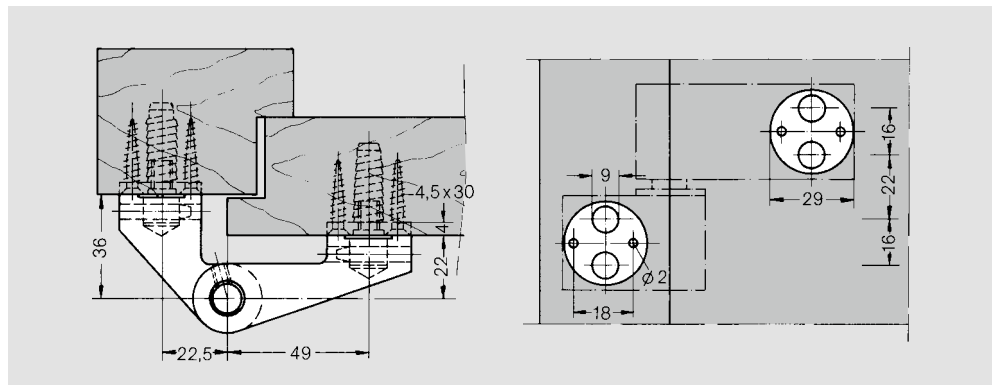
For top centres and door strap

Type	Order No. for cover caps			
	for top centres, two parts		for door strap, single	
	LH (ISO 6)	RH (ISO 5)	LH (ISO 6)	RH (ISO 5)
Die cast aluminium Art. No. 7484/7482 Silver (EV 1, Euras C-0)	45505400	45501400	45055401	45051401

LM pivot hinges with fixing for over-rebated timber doors

Drill jig for flush closing and over-rebated doors

Dimension x = 50.5 mm,
 Dimension y = 3.0 mm

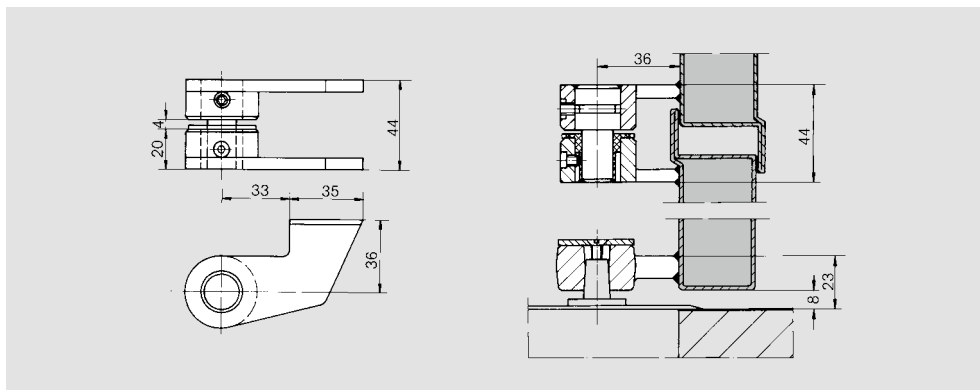


FOR SINGLE ACTION STEEL DOORS

Weld-on accessorie

Top centres

Art. No. 7431 K
 Steel, primed; with eccentric pin and bush for adjustment after hanging the door; non-handed.
 Order No. 45300012



Door strap

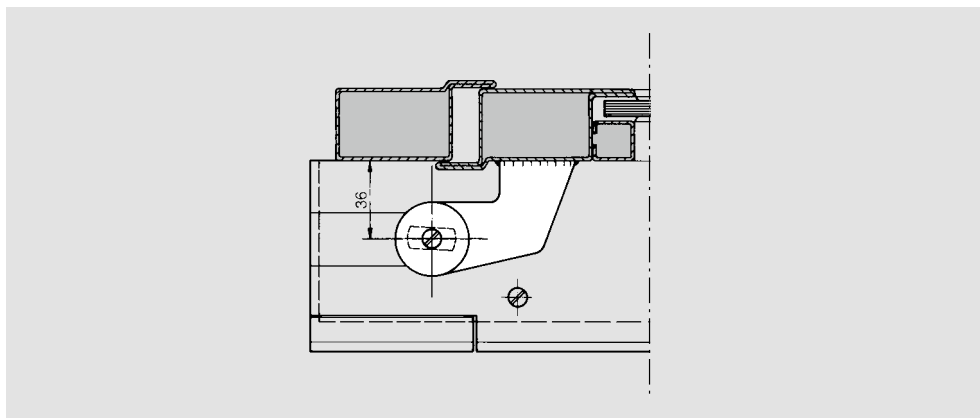
Art. No. 7431
 Drop forged steel, primed
 Order No. 4501000

Top washer for door strap

Art. No. 7432
 Stainless steel
 Order No. 45090030

Cover caps

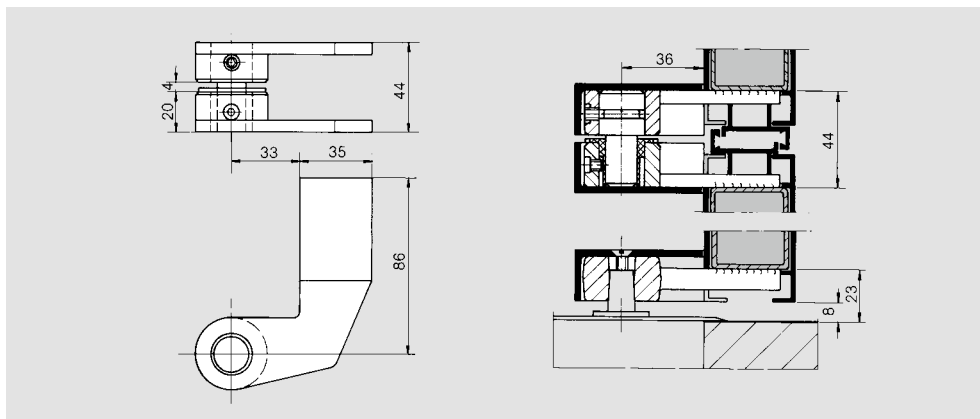
see pages 4 and 5



Weld-on accessorie

Top centres

Art. No. 7441 K
 Steel, primed; with eccentric pin and bush for adjustment after the door is hung; non-handed.
 Order No. 45300014



Door strap

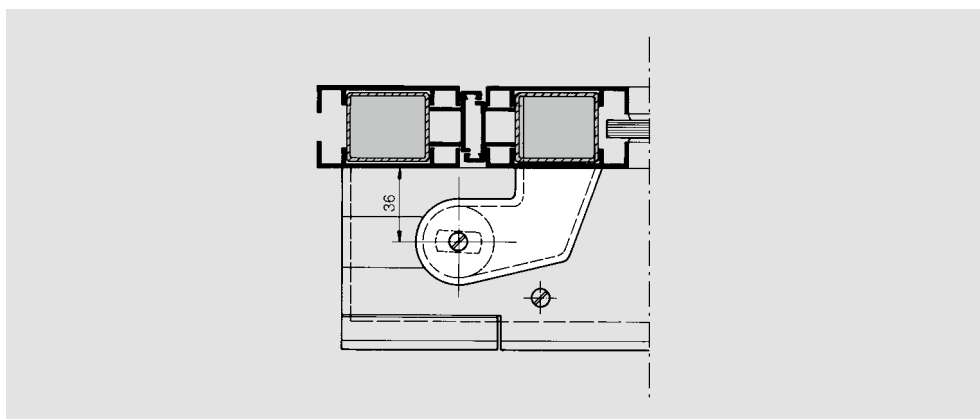
Art. No. 7441
 Drop forged steel, primed
 Order No. 45010007

Top washer for door strap

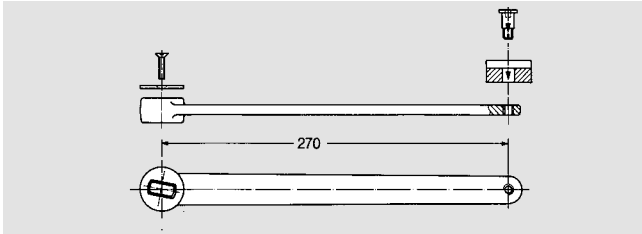
Art. No. 7432
 Stainless steel
 Order No. 45090030

Cover caps

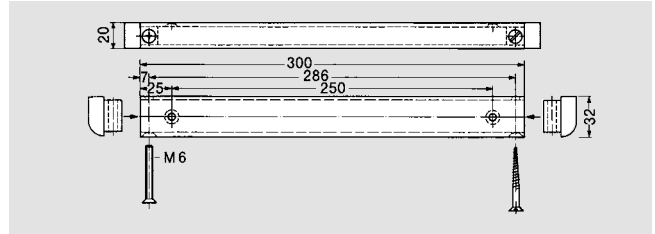
see pages 4 and 5



FOR BUTT HUNG DOORS



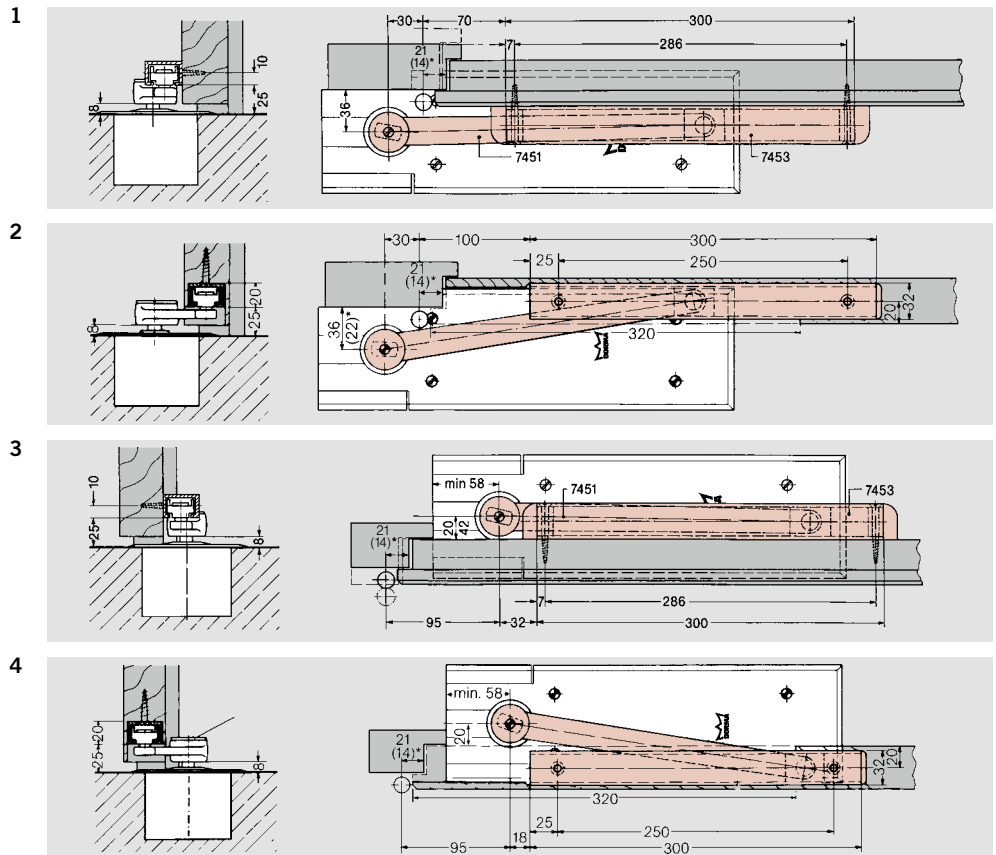
Swing lever Art. No. 7451 N
Drop forged steel, including top washer 7432.
Order No. 45090070



Guide housing Art. No. 7453 N
Aluminium, anodised, silver (EV 1, Euras C-0).
Order No. 45090053

Example installations

()* = Offset for non-rebated doors



Max. opening angle, backcheck activation angle and hold-open angle

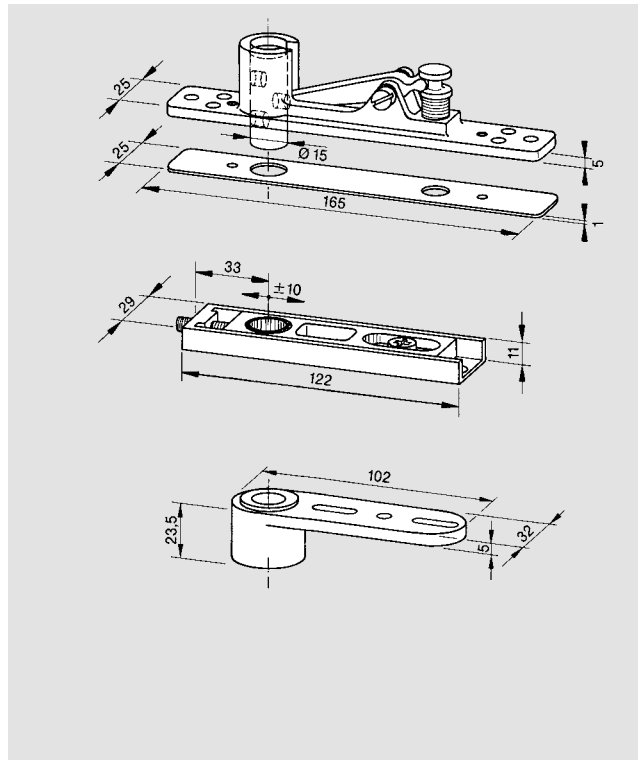
Installation	Door thickness in mm								
	Over-rebated door				Flush closing door				
	39	50	60	70	39	50	60	70	
Door opening* in °, max.	100				100				
Hold-open for BTS 80, and backcheck for BTS 75 and BTS 80 in °	78				78				
Hold-open for BTS 75 in ° for following settings in °	105	95	100		100				
	90	90	90		90				
	105	83	85	87	90	86	90	92	95
	120	102	105	107	112	108	111	115	120
	105	73	75	77	79	76	78	80	83
	120	90	93	95	98	95	100	102	105

* Set door stop at maximum door opening. Owing to the differing pivot points of the floor spring and hinges, the backcheck is activated earlier, i.e. at an opening angle less than 85°. This type of installation reduces the floor spring's power. To minimise this effect, make sure that the door is correctly hung and free-running on its hinges. Detailed installation drawing available on request.

FOR DOUBLE ACTION STEEL, ALUMINIUM AND TIMBER DOORS

Adjustable top centres (zinc die-cast)

comprising an frame portion with adjustable pin for deep profiles up to max. 20 mm, and door portion with needle bearing (8067 with plastics bearing). For deeper profiles, the top centre assembly can be supplied with pins extended by 10 mm.



Frame portion 8062/8067
Order No. 46020031

Cover plate 8064
Order No. 46020044

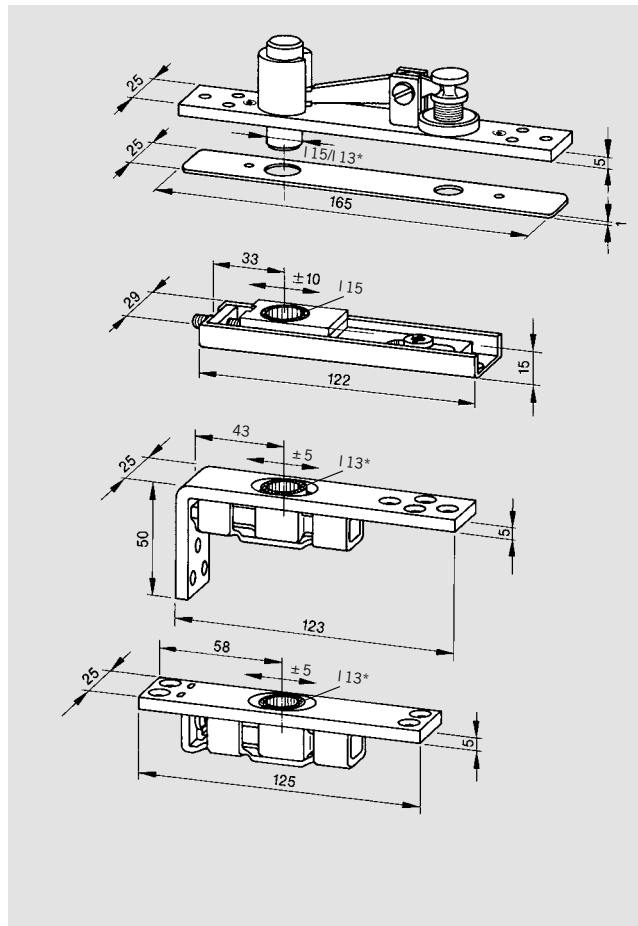
Door portion 8062
Order No. 46020033

Door portion 8067
Order No. 46020011

Top centres complete
(Frame- and door portion)
8062 Order No. 46300003
8067 Order No. 46300005

Adjustable top centres (steel)

comprising an frame portion with adjustable pin for deep profiles up to max. 16 mm, and door portion with needle bearing. For deeper profiles, the top centre assembly can be supplied with pins extended by 10 mm.



Frame portion 8066
Order No. 46020036
Frame portion 7461*
Order No. 46020050

Cover plate 8064
Order No. 46020044

Door portion 8066
Order No. 46020047

Door portion 7461 A*
Order No. 46020048

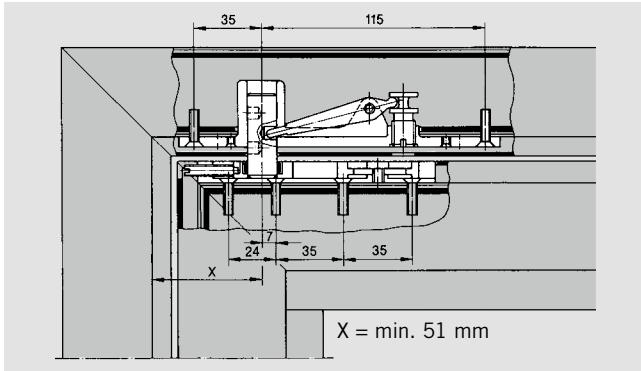
Door portion 7463 B*
Order No. 46020049

Top centres complete
(Frame- and door portion)
8066 Order No. 46300006

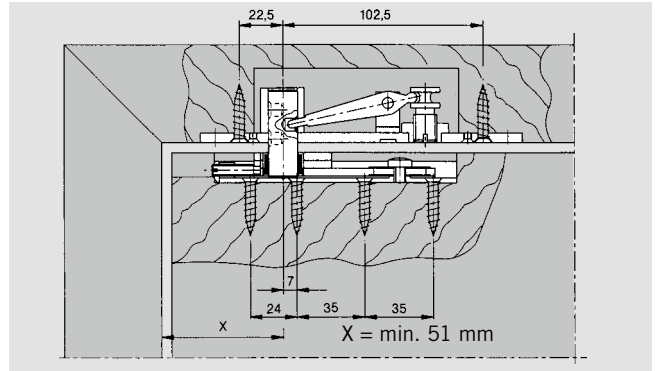
* For door portions 7461 A and 7463 B, use frame portion 7461 with 13 mm dia. pin.

Typical installations

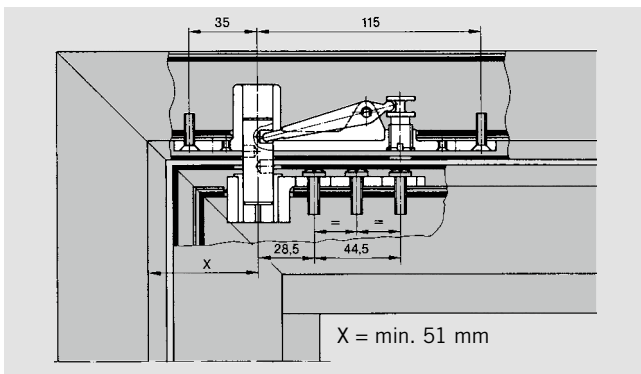
For aluminium doors Top centre 8062



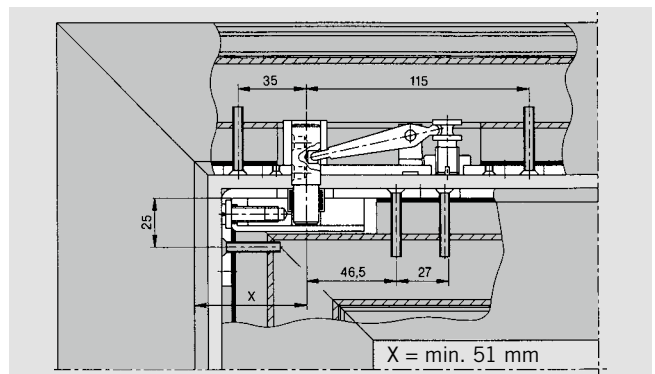
For timber doors Top centre 8066



For aluminium doors Top centre 8067

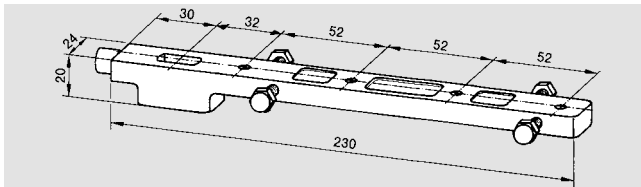


For steel doors Top centre 7461



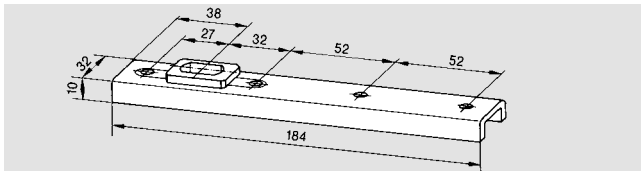
Bottom straps

Universal bottom strap Art. No. 7422



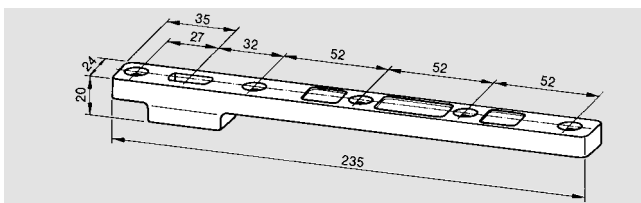
Drop forged steel, zinc-plated; adjustable to various frame profiles.
Order No. 46010002

Bottom strap Art. No. 8021

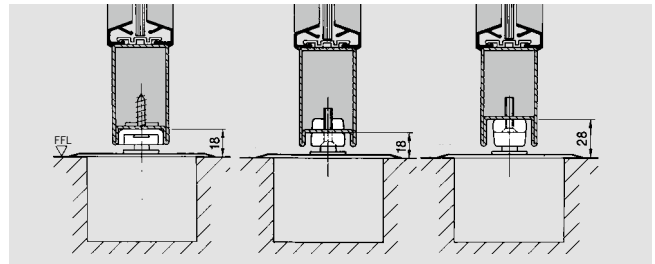


Zinc-plated steel; for door weights up to 100 kg.
Order No. 45010410

Bottom strap Art. No. 7421



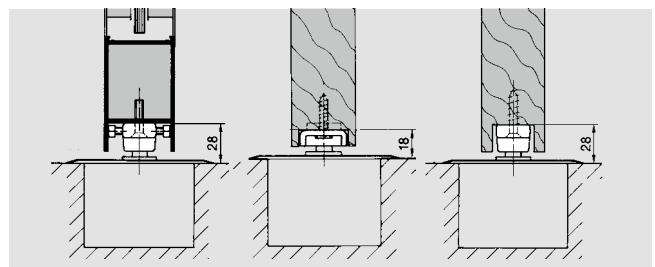
Drop forged steel, zinc-plated for door weights up to 300 kg.
Order No. 46010001



Bottom strap
8021

Bottom strap
7421
with milled hole

Bottom strap
7421
surface fixed



Bottom strap
7422

Bottom strap
8021

Bottom strap
7421

PIVOT BEARINGS

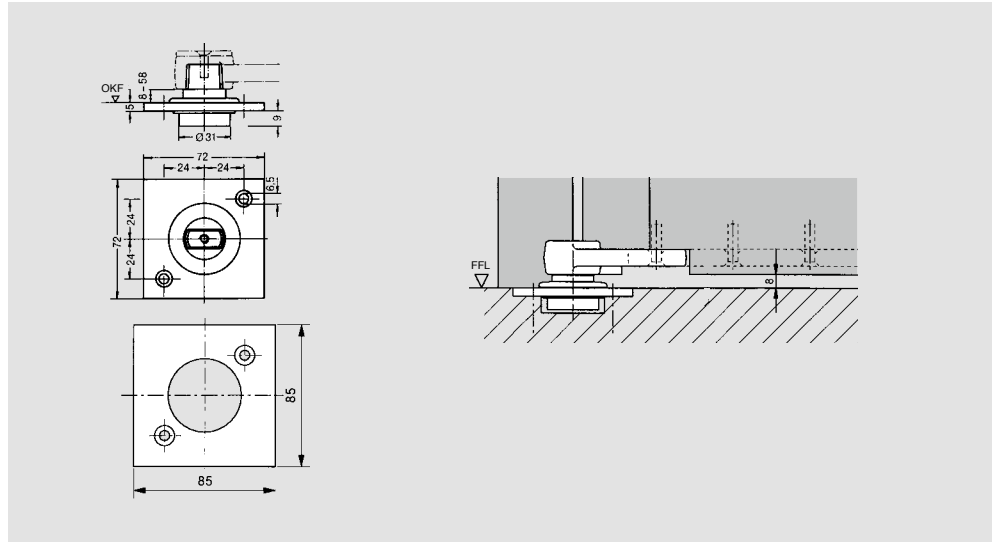
Floor pivot bearing

Art. No. 7471 K
with thrust roller bearing,
load capacity max. 200 kg.
Order No. 45070001

Art. No. 7471 AX
with angular contact roller
bearing, load capacity
max. 300 kg.
Order No. 45070002

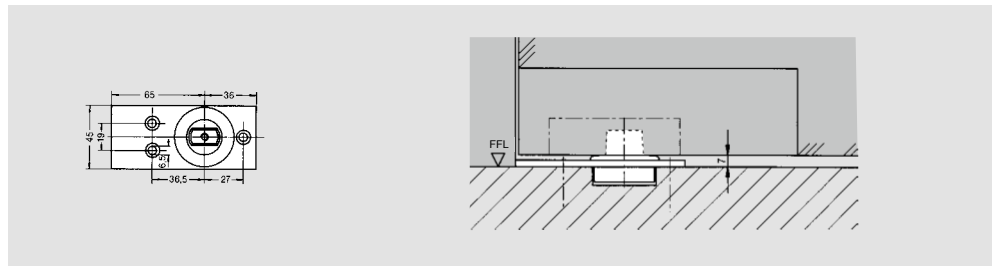
Cover plate

Art.-No. 7470
85x85 mm
for 7471 K/AX
Order No. 21262401140



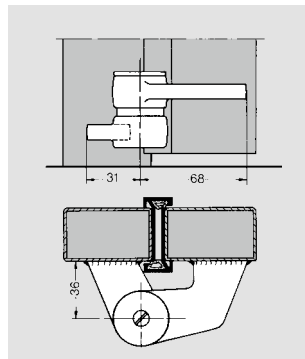
Art. No. 7475 AX
with angular contact roller
bearing, load capacity
max. 300 kg.
Order No. 45070003

Also available in stainless steel.
Art. No 8560 GE
Order No. 65540059



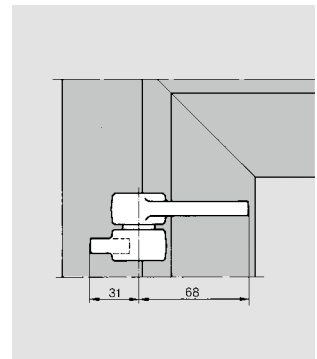
Weld-on pivot bearing

Art. No. 7472 K
with thrust roller bearing,
load capacity max. 200 kg,
and door strap 7431
(see page 6) non-handed,
bearing can be inserted from
either side.
Order No. 45070011



Weld-on hinge

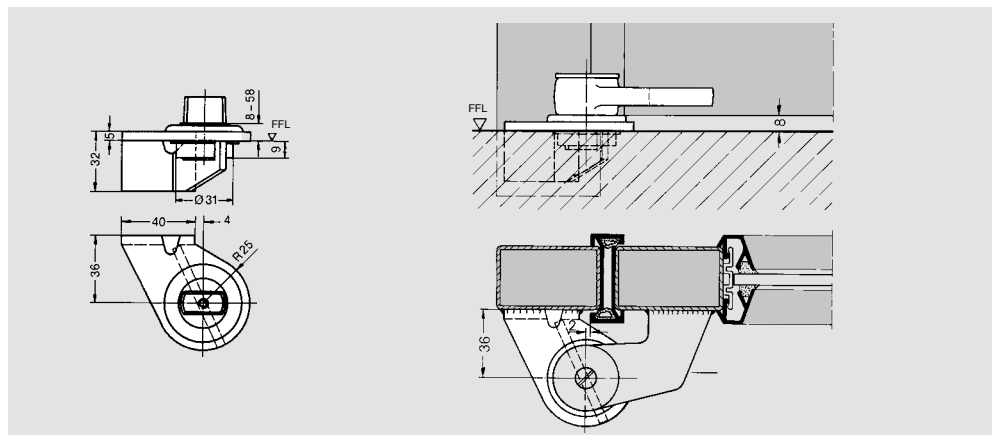
Art. No. 7472 M
Used as intermediate pivot and
upper hinge; with eccentric pin
and bush for adjustment after
hanging the door; non-handed
bearing can be inserted from
either side.
Order No. 45900008



Weld-on pivot bearing

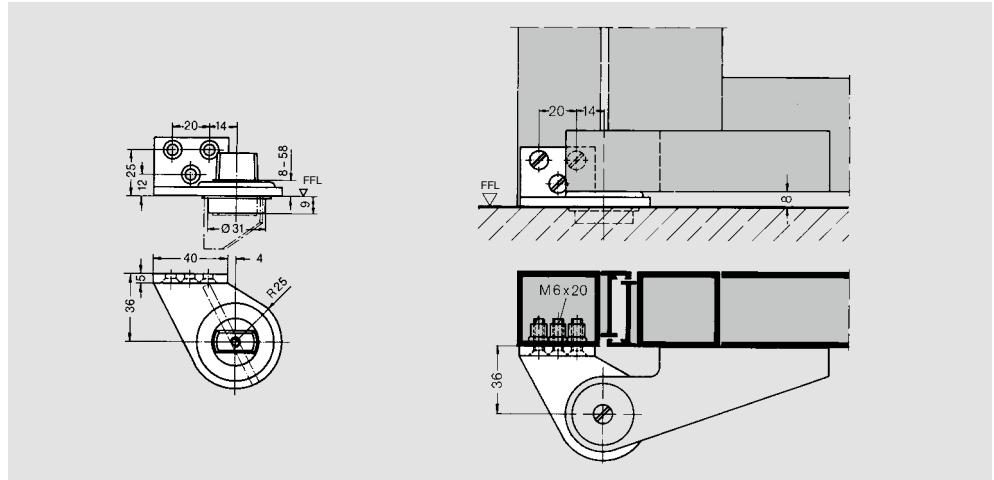
Art. No. 7474 K
with thrust roller bearing, load
capacity max. 200 kg, and
welded-on reinforcing plate.
LH (ISO 6) door:
Order No. 45075007
RH (ISO 5) door:
Order No. 45071007

AX model available on request
(300 kg capacity).

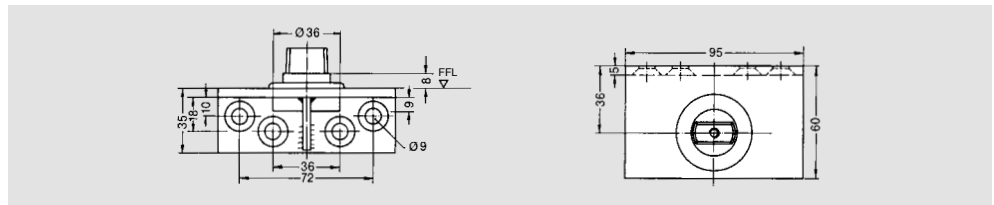


Screw-on pivot bearing

Art. No. 7473 K
with thrust roller bearing,
load capacity max. 200 kg.
Suitable for timber,
steel and aluminium doors.
LH (ISO 6) door:
Order No. 45075005
RH (ISO 5) door:
Order No. 45071005

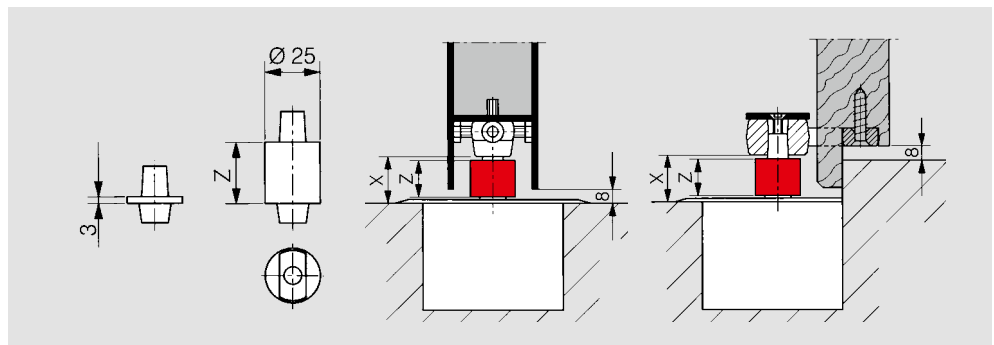


Art. No. 7476 AX
with angular-contact roller
bearing, load capacity
max. 300 kg.
Order No. 45070012



**Spindle inserts, zinc-plated,
for DORMA BTS floor springs**

Length in mm	Order No.
Standard	45200401
+ 5.0	45200402
+ 7.5	45200403
+ 10.0	45200404
+ 12.5	45200419
+ 15.0	45200405
+ 20.0	45200406
+ 25.0	45200407
+ 28.0	45200414
+ 30.0	45200408
+ 35.0	45200409
+ 40.0	45200410
+ 45.0	45200411
+ 50.0	45200412



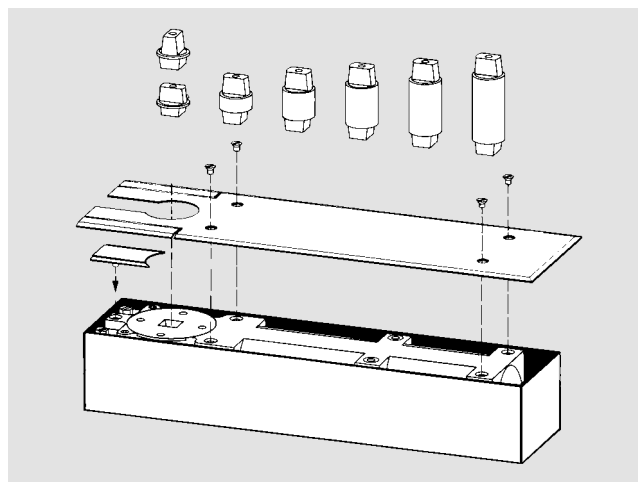
Calculating the necessary length of spindle extension

Extension = **X** – Floor clearance (normally 8 mm)

Collar height **Z** of the extended spindle inserts = Spindle extension length + 3 mm
(collar height of the standard spindle insert)

Note

Closer and bottom strap must be installed per fixing instructions for door clearances shown to be valid. Closers with extended spindle inserts are used with thresh-olds, carpeted floors, terazzo pans or in cases where more clearance between door and floor is required.
Surface finish: Zinc plated.



	Order No.
Sealing compound	
2300	
0.5 kg	45090086
Cement boxes	
for floor springs	
BTS 80	45090056
BTS 75V	45090054
61701xxx	
BTS 75V	45090055
61801xxx	
BTS 84	1418700000



DORMA Deutschland GmbH
DORMA Platz 1
58256 ENNEPÉTAL
GERMANY
Phone +49 2333 793-0
Fax +49 2333 793-4950
www.dorma.com