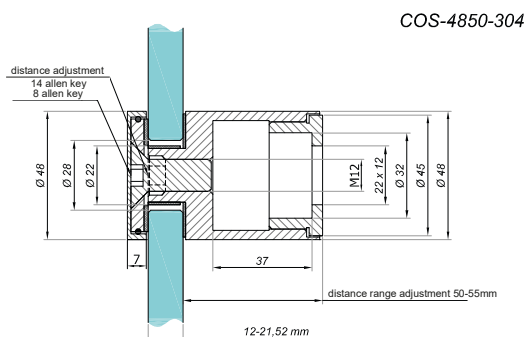
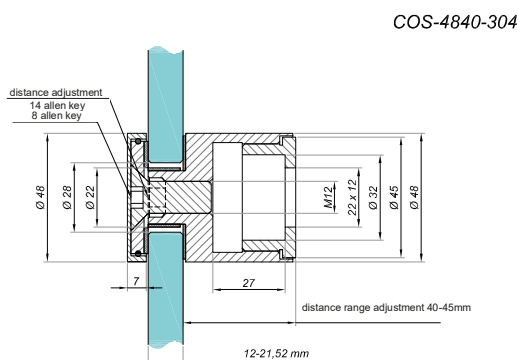
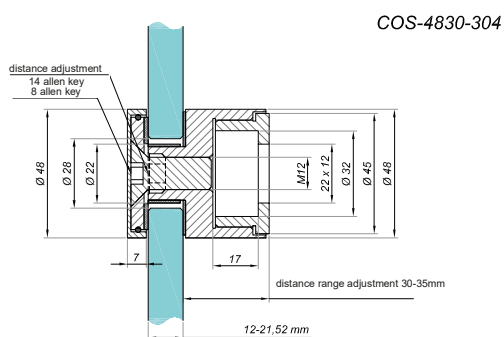
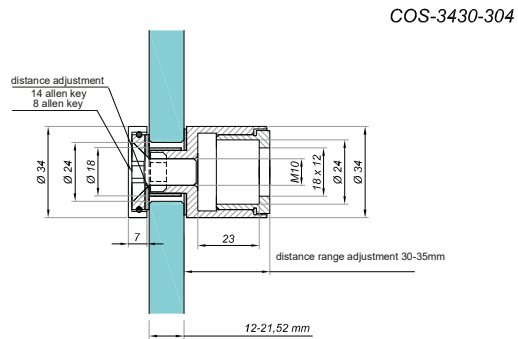


# Glass balustrade systems

## Glass point holders - COSMO

COS



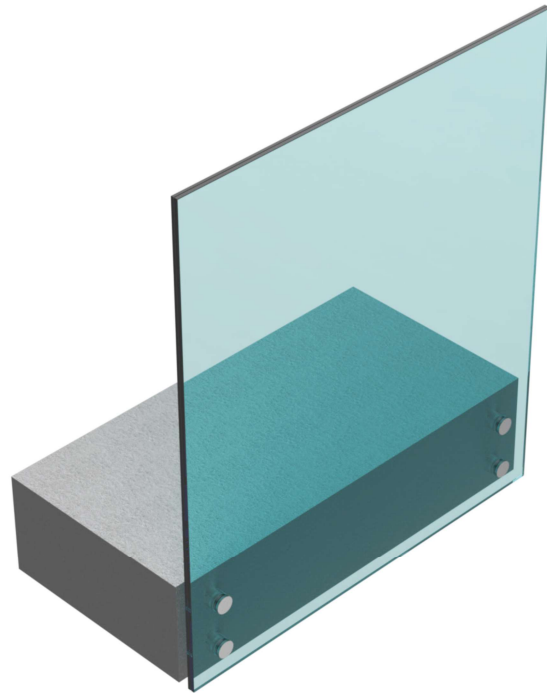
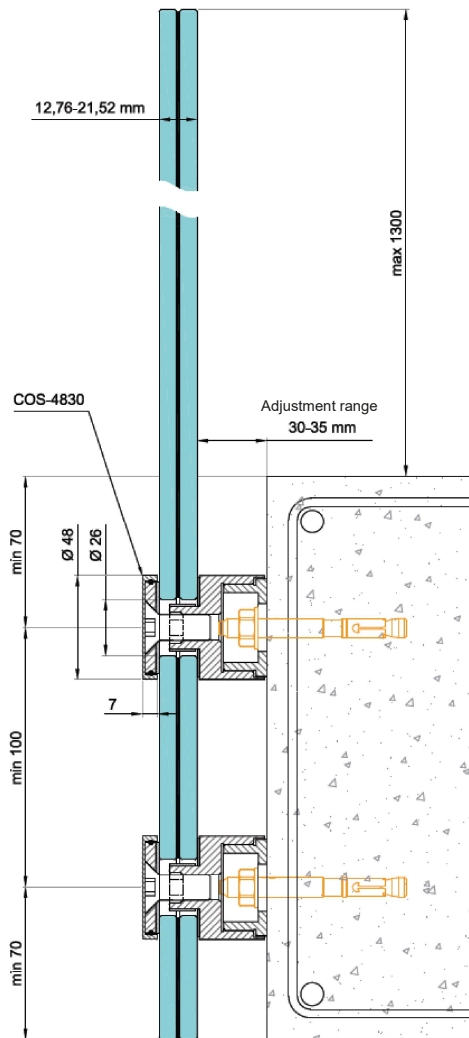
Product code	Diameter	Distance	Hole in the glass	Finish
COS-3430-304-SS	Ø 34	30mm	Ø 24	satin
COS-3430-304-B	Ø 34	30mm	Ø 24	black chrome
COS-4830-304-SS	Ø 48	30mm	Ø 28	satin
COS-4830-304-B	Ø 48	30mm	Ø 28	black chrome
COS-4830-304-MB	Ø 48	30 mm	Ø 28	black matte
COS-4840-304-SS	Ø 48	40 mm	Ø 28	satin
COS-4840-304-B	Ø 48	40 mm	Ø 28	black chrome
COS-4850-304-SS	Ø 48	50 mm	Ø 28	satin
COS-4850-304-B	Ø 48	50 mm	Ø 28	black chrome

### Properties

Glass thickness	12-21,52 mm
Adjustment distance range	5 mm
Material	stainless steel

## Balustrade mounting

### Glass point holders - COSMO



#### Properties

Glass type	66.2-1010.4
Max. balustrade height	1100 mm
Max. load	1,0 kN/m
Material	aluminium