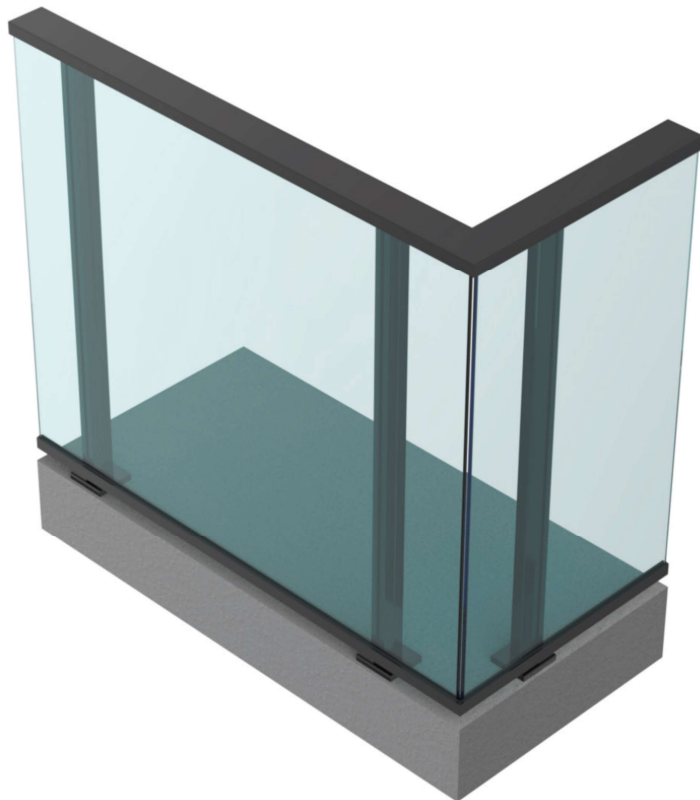


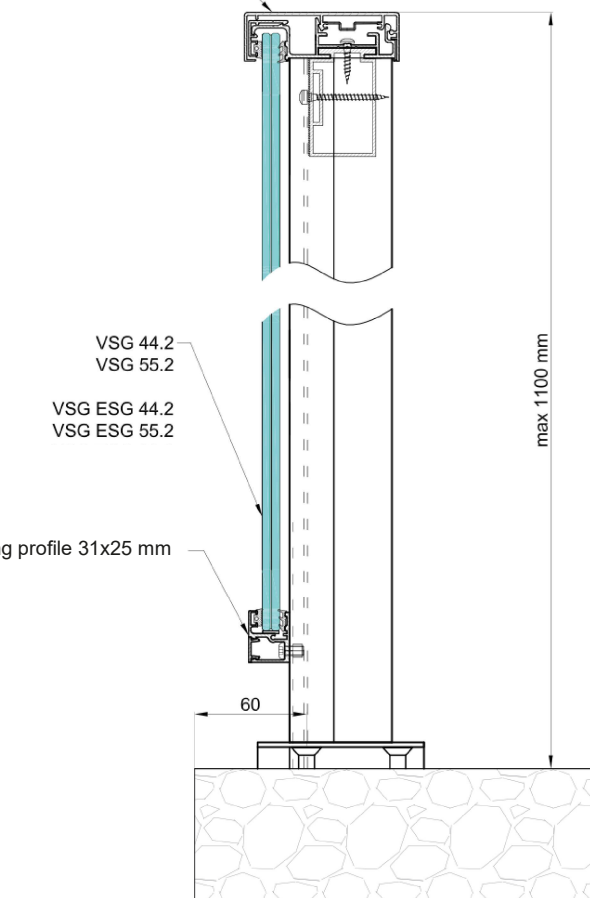
Glass balustrade systems

Top mounting, glazing in handrail

Post balustrade system - TR-1-1



Handrail 95x30 mm



Properties

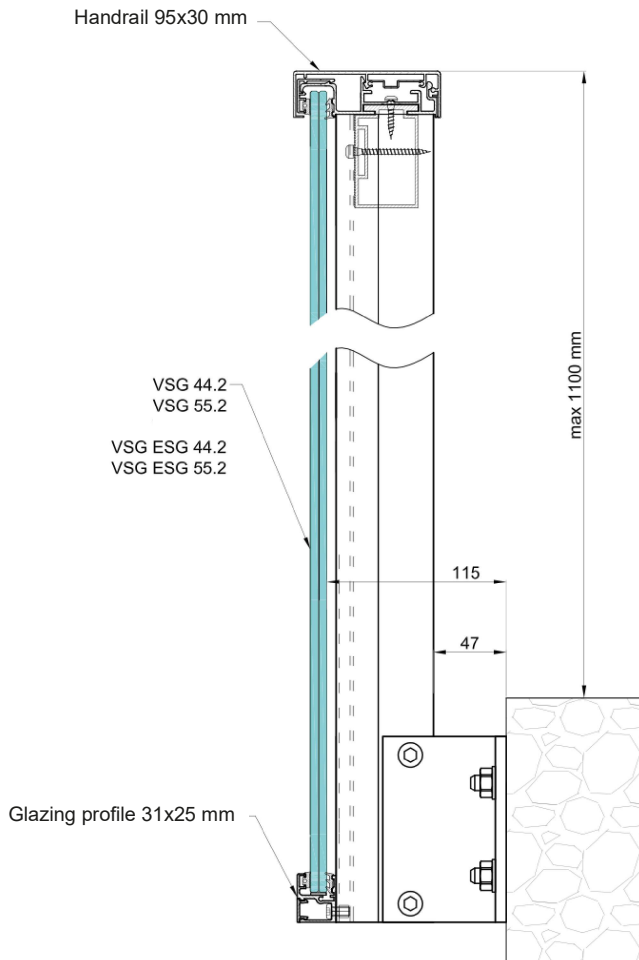
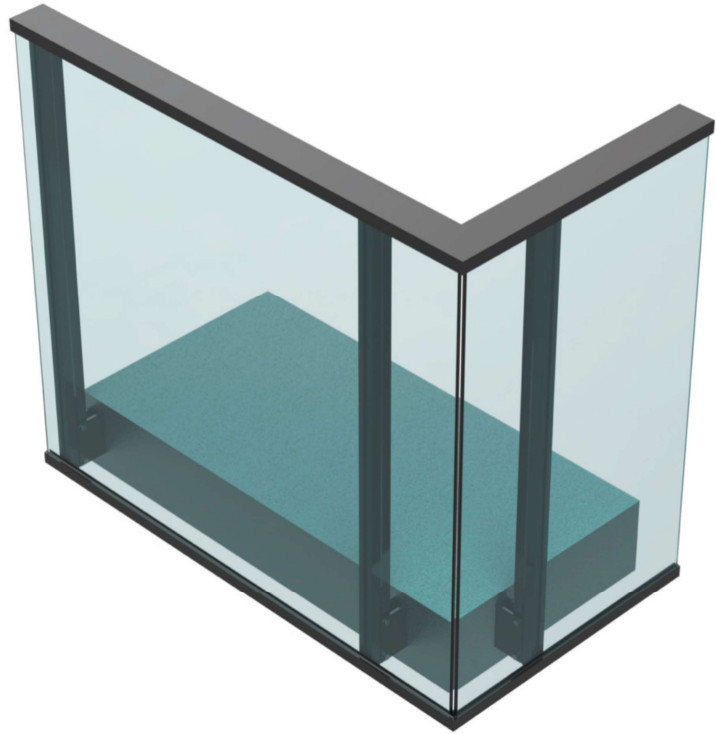
Glass type	44.2 - 55.2
Max. balustrade height	1200 mm
Max. distance between posts	1300 mm
Max. load	1,0 kN/m
Material	aluminium

Max. distance between posts depends on balustrade configuration

Glass balustrade systems

Side mounting, glazing in handrail

Post balustrade system - TR-1-2



Properties

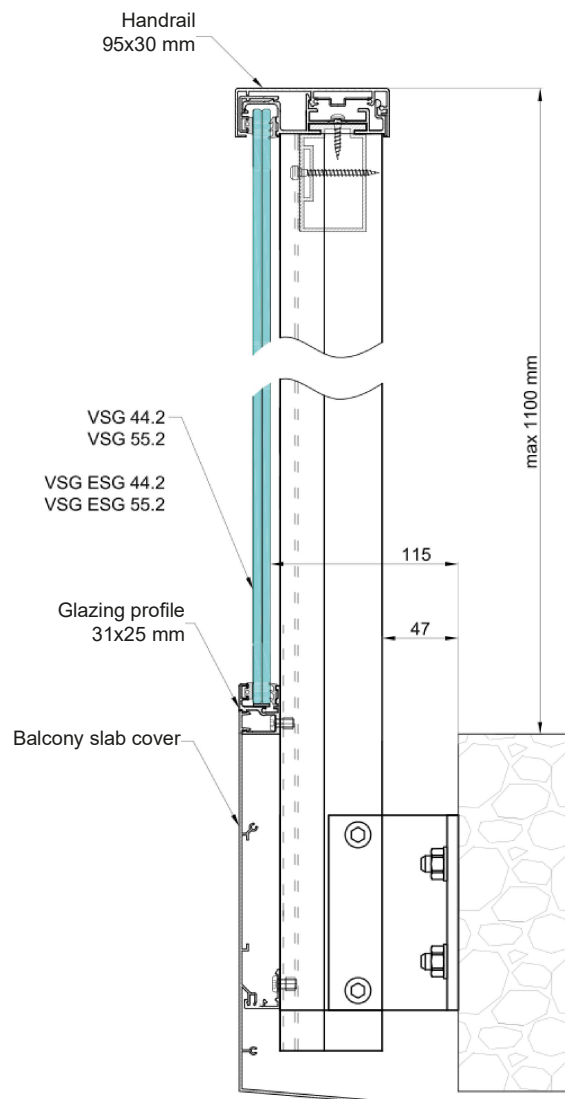
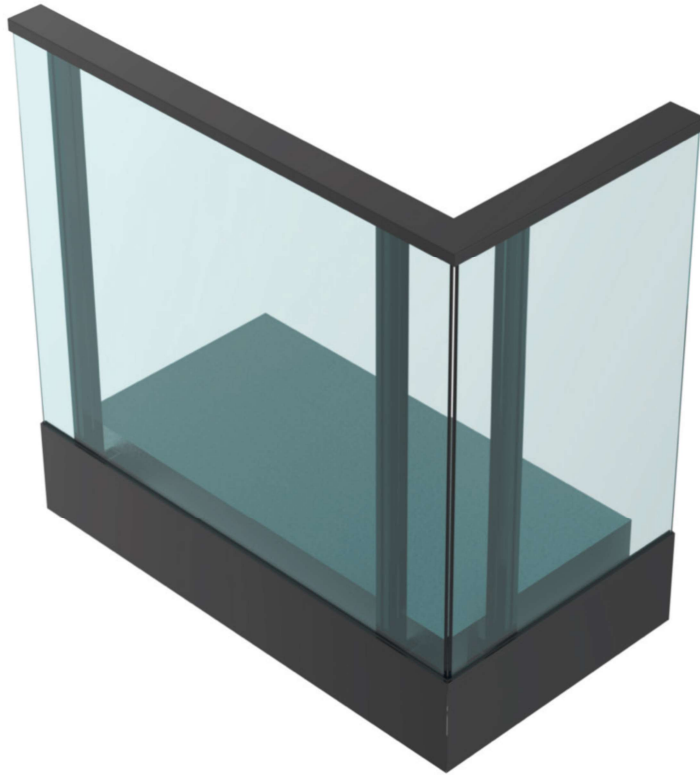
Glass type	44.2 - 55.2
Max. balustrade height	1100 mm
Max. distance between posts	1300 mm
Max. load	1,0 kN/m
Material	aluminium

Max. distance between posts depends on balustrade configuration

Glass balustrade systems

Side mounting, balcony cover, glazing in handrail

Post balustrade system - TR-1-3



Properties

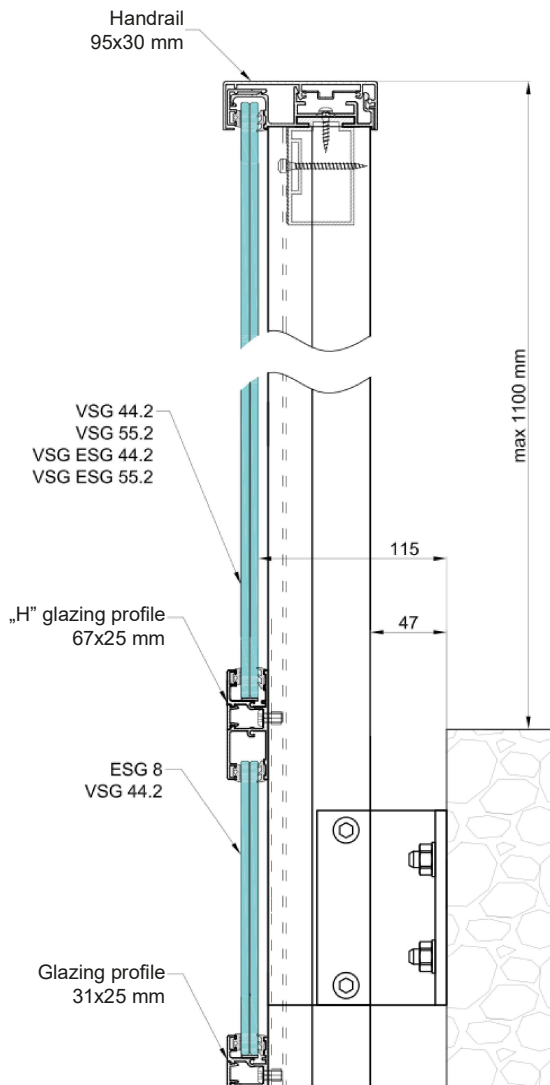
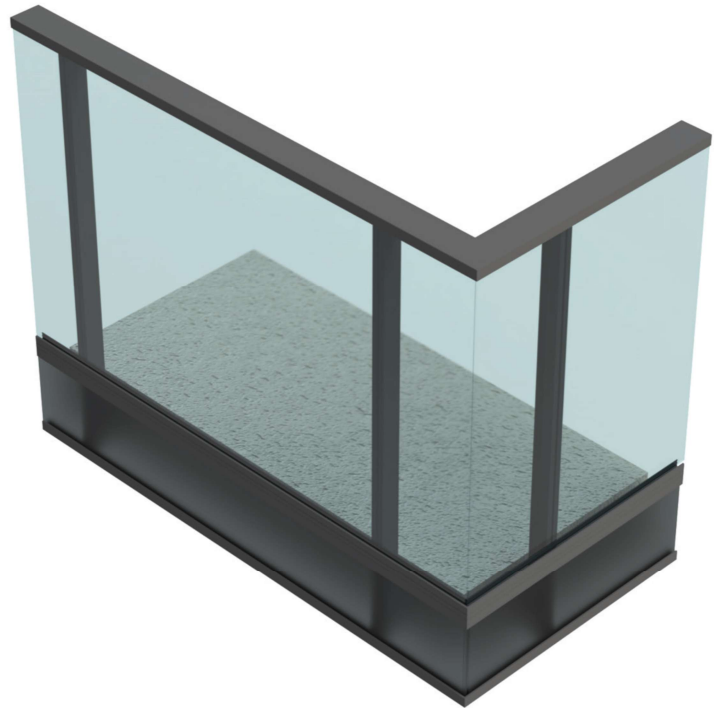
Glass type	44.2 - 55.2
Max. balustrade height	1100 mm
Max. distance between posts	1300 mm
Max. load	1,0 kN/m
Material	aluminium

Max. distance between posts depends on balustrade configuration

Glass balustrade systems

Side mounting,
balcony glass cover, glazing in handrail

Post balustrade system - TR-1-4



Properties

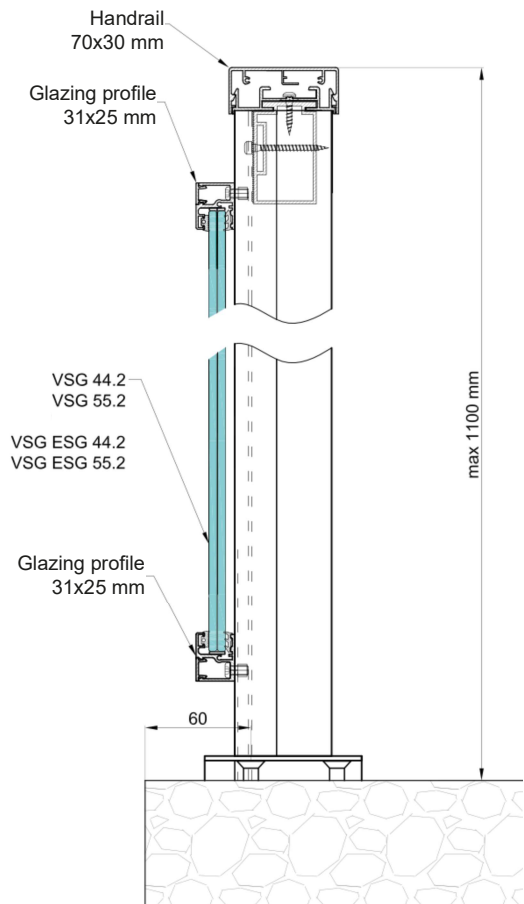
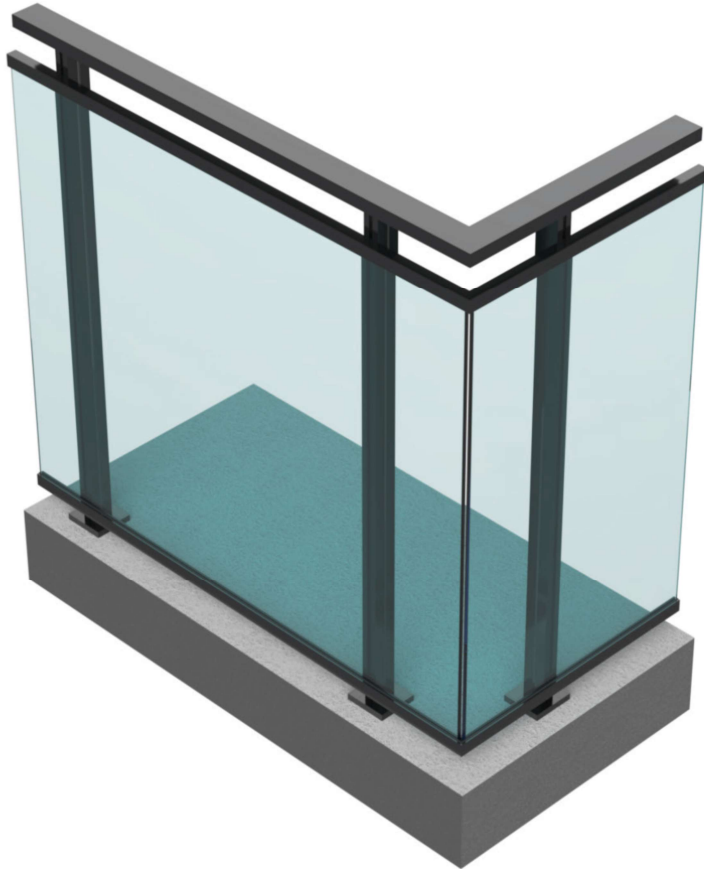
Glass type	44.2 - 55.2
Max. balustrade height	1100 mm
Max. distance between posts	1300 mm
Max. load	1,0 kN/m
Material	aluminium

Max. distance between posts depends
on balustrade configuration

Glass balustrade systems

Top mounting, glazing under handrail

Post balustrade system - TR-2-1



Properties

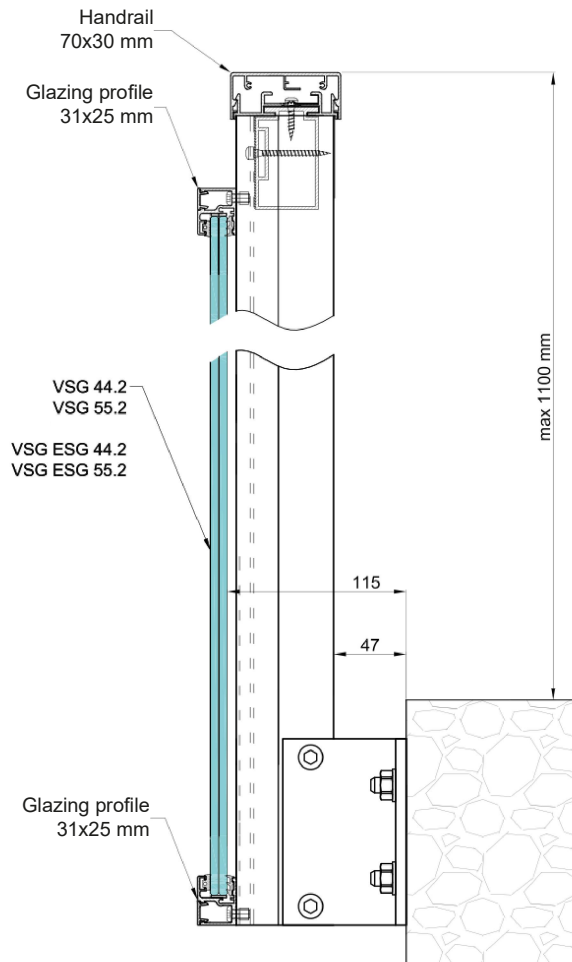
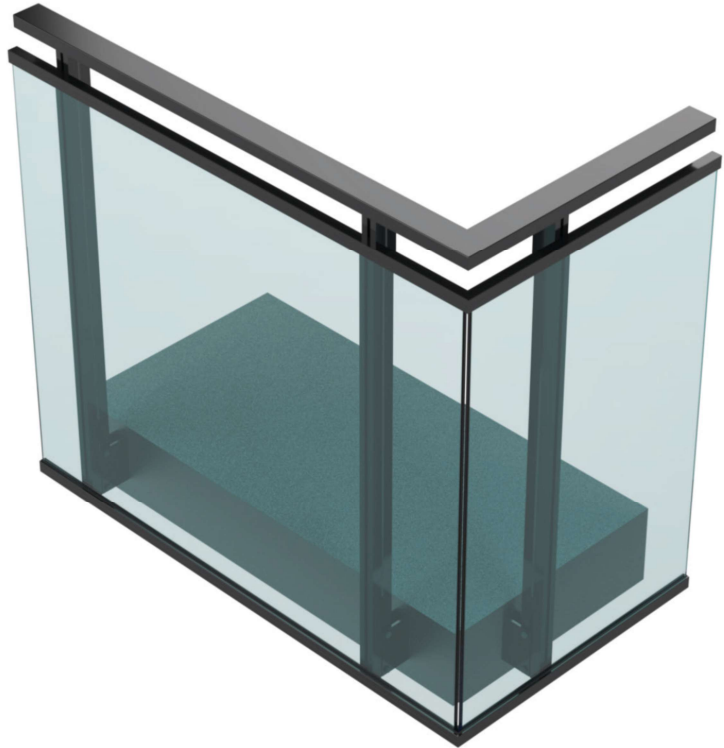
Glass type	44.2 - 55.2
Max. balustrade height	1200 mm
Max. distance between posts	1300 mm
Max. load	1,0 kN/m
Material	aluminium

Max. distance between posts depends on balustrade configuration

Glass balustrade systems

Side mounting, glazing under handrail

Post balustrade system - TR-2-2



Properties

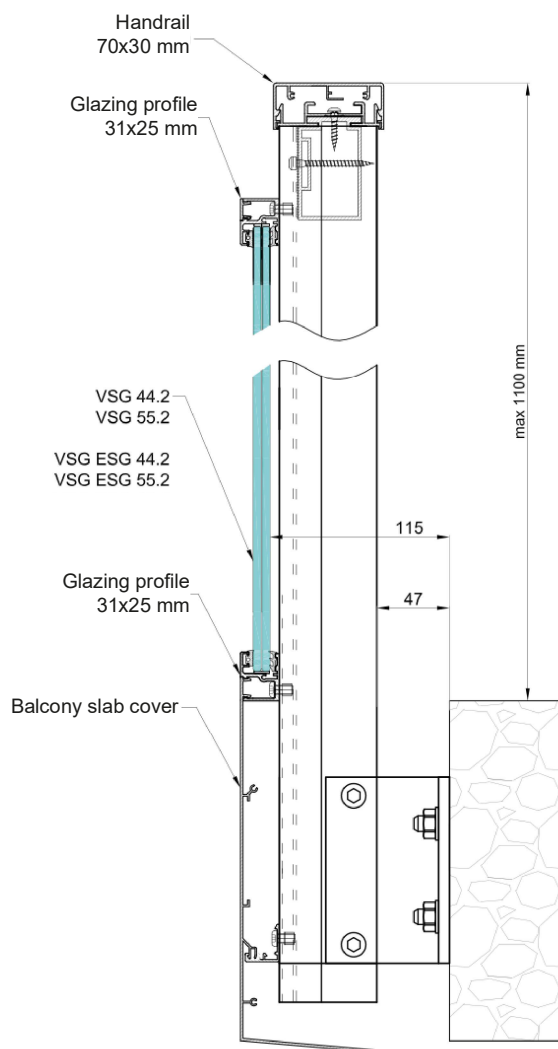
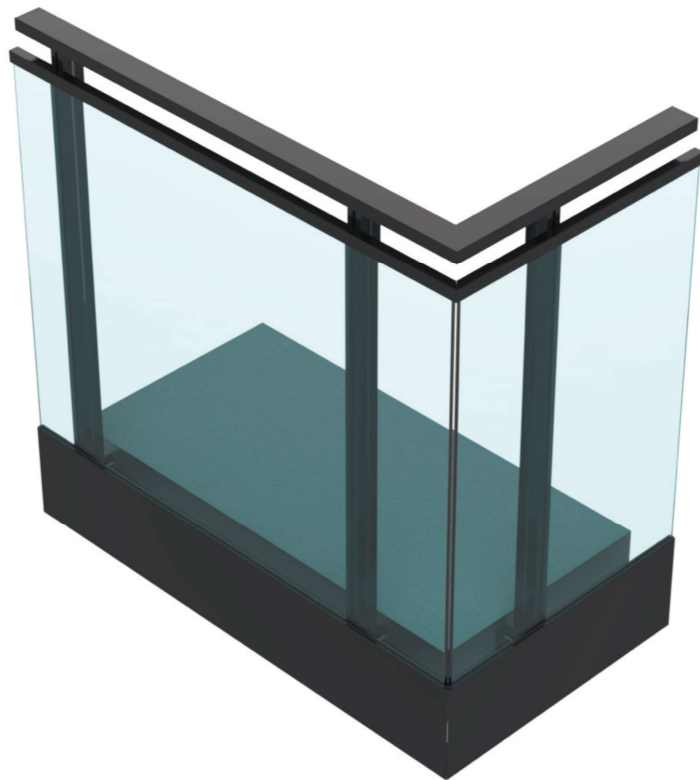
Glass type	44.2 - 55.2
Max. balustrade height	1100 mm
Max. distance between posts	1300 mm
Max. load	1,0 kN/m
Material	aluminium

Max. distance between posts depends on balustrade configuration

Glass balustrade systems

Side mounting,
balcony cover, glazing under handrail

Post balustrade system - TR-2-3



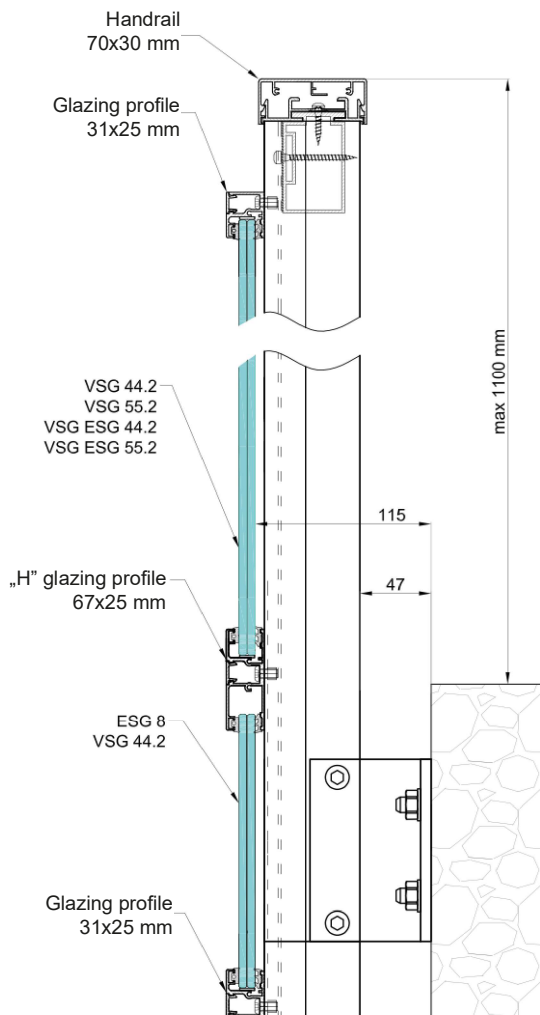
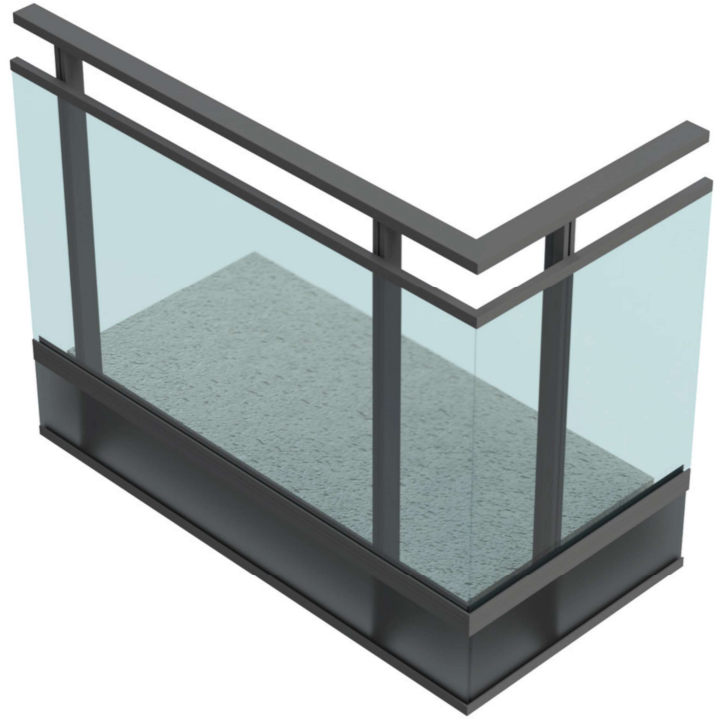
Properties

Glass type	44.2 - 55.2
Max. balustrade height	1100 mm
Max. distance between posts	1300 mm
Max. load	1,0 kN/m
Material	aluminium

Max. distance between posts depends
on balustrade configuration

Glass balustrade systems

**Side mounting,
balcony glass cover, glazing under handrail**
Post balustrade system - TR-2-4



Properties

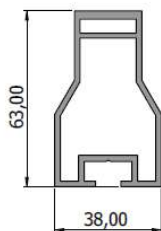
Glass type	44.2 - 55.2
Max. balustrade height	1100 mm
Max. distance between posts	1300 mm
Max. load	1,0 kN/m
Material	aluminium

*Max. distance between posts depends
on balustrade configuration*

Glass balustrade systems

Balustrade post

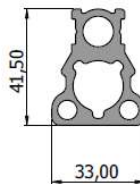
TR-6338



Product code	Length	Finish
TR-6338-5600-AL	5600 mm	raw aluminium
TR-6338-5600-RAL	5600 mm	RAL
TR-6338-6000-AL	6000 mm	raw aluminium
TR-6338-6000-RAL	6000 mm	RAL
Properties		
Material	aluminium	

Balustrade reinforcement post

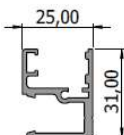
TR-6338-B



Product code	Length	Finish
TR-6338-B-150-AL	150 mm	raw aluminium
TR-6338-B-6000-AL	6000 mm	raw aluminium
Properties		
Material	aluminium	

Glazing profile

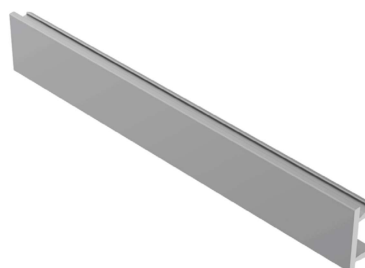
TR-3125



Product code	Length	Finish
TR-3125-6000-AL	6000 mm	raw aluminium
TR-3125-6000-RAL	6000 mm	RAL
Properties		
Material	aluminium	

Glazing profile cover

TR-3125-M

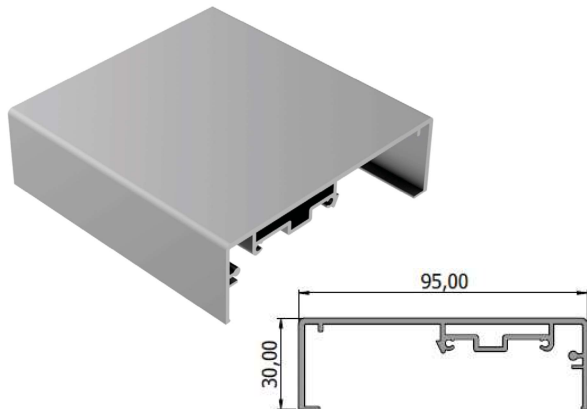


Product code	Length	Finish
TR-3125-M-6000-AL	6000 mm	raw aluminium
TR-3125-M-6000-RAL	6000 mm	RAL
Properties		
Material	aluminium	

Glass balustrade systems

Handrail with glazing

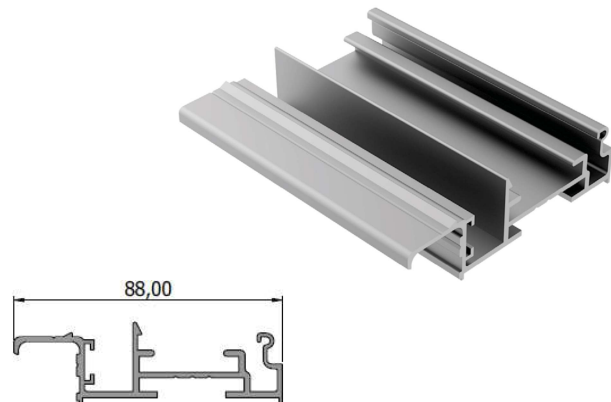
TR-9530



Product code	Length	Finish
TR-9530-6000-AL	6000 mm	raw aluminium
TR-9530-6000-RAL	6000 mm	RAL
Properties		
Material	aluminium	

Base profile for handrail with glazing

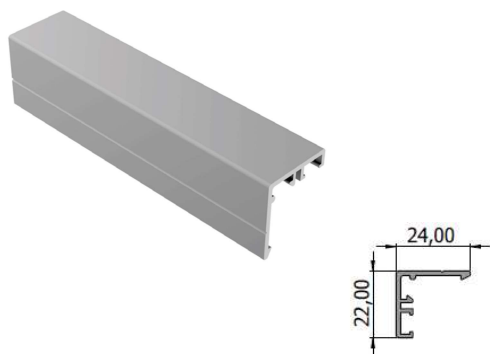
TR-9530-B



Product code	Length	Finish
TR-9530-B-6000-AL	6000 mm	raw aluminium
TR-9530-B-6000-RAL	6000 mm	RAL
Properties		
Material	aluminium	

Clip profile for top glazing

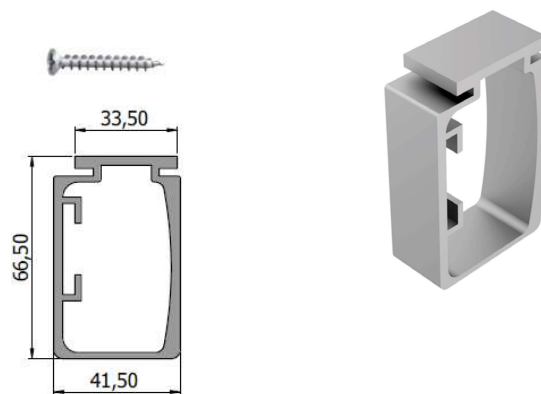
TR-2422



Product code	Length	Finish
TR-2422-6000-AL	6000 mm	raw aluminium
TR-2422-6000-RAL	6000 mm	RAL
Properties		
Material	aluminium	

Handrail post fixing

TR-MP

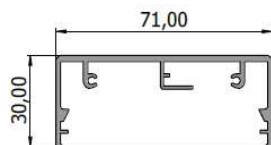
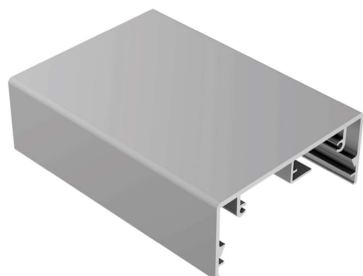


Product code	Finish
TR-MP-AL	raw aluminium
Properties	
Material	aluminium

Glass balustrade systems

Handrail without glazing

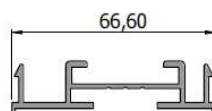
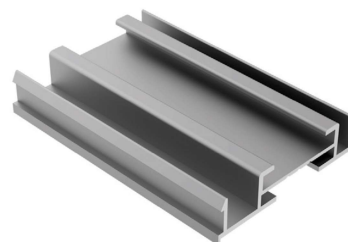
TR-7030



Product code	Length	Finish
TR-7030-6000-AL	6000 mm	raw aluminium
TR-7030-6000-RAL	6000 mm	RAL
Properties		
Material	aluminium	

Base profile for handrail without glazing

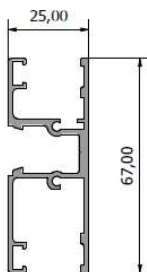
TR-7030-B



Product code	Length	Finish
TR-7030-B-6000-AL	6000 mm	raw aluminium
TR-7030-B-6000-RAL	6000 mm	RAL
Properties		
Material	aluminium	

„H” profile for double glazing

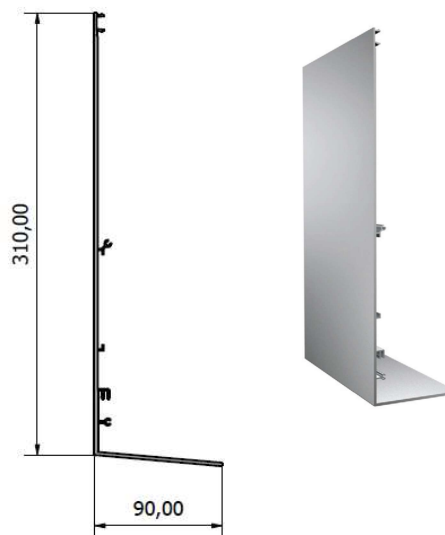
TR-6725



Product code	Length	Finish
TR-6725-6000-AL	6000 mm	raw aluminium
TR-6725-6000-RAL	6000 mm	RAL
Properties		
Material	aluminium	

Balcony slab cover

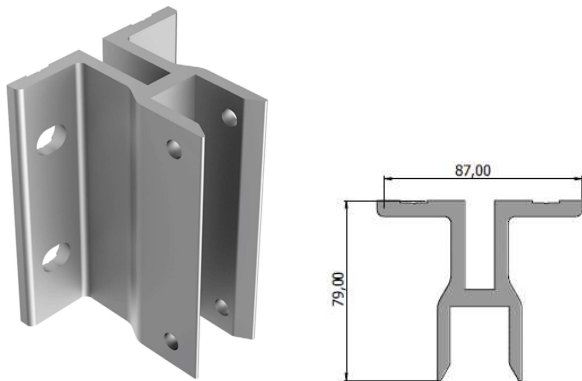
TR-243



Product code	Length	Finish
TR-243-6000-AL	6000 mm	raw aluminium
TR-243-6000-RAL	6000 mm	RAL
Properties		
Material	aluminium	

Balcony fixing post, high

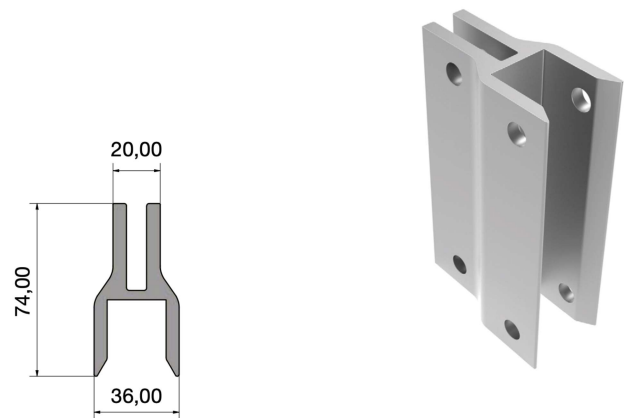
TR-H115



Product code	Length	Finish
TR-H115-AL	120 mm	raw aluminium
TR-H115-RAL	120 mm	RAL
Properties		
Material	aluminium	

Insulated balcony fixing post

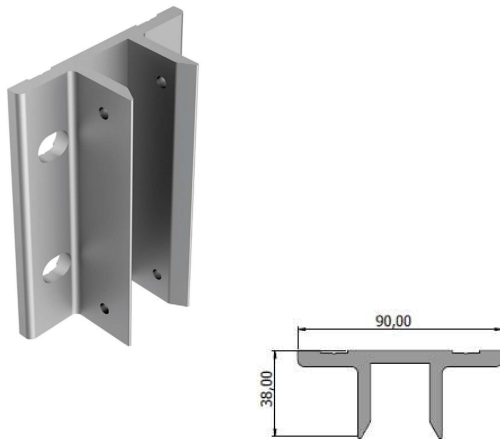
TR-H100



Product code	Length	Finish
TR-H100-AL	120 mm	raw aluminium
TR-H100-RAL	120 mm	RAL
Properties		
Material	aluminium	

Balcony fixing post, low

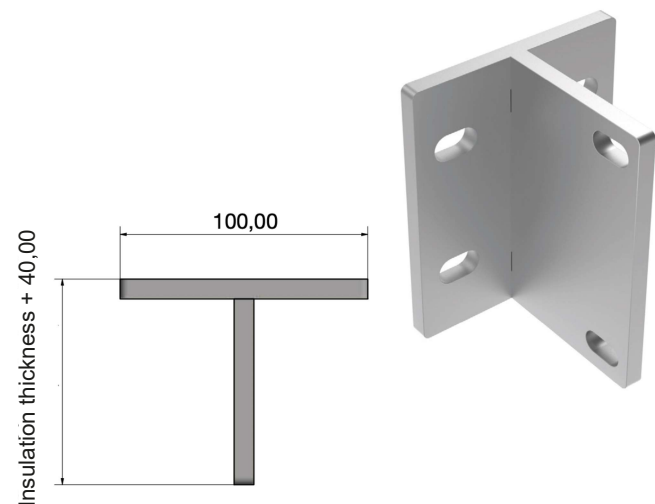
TR-H74



Product code	Length	Finish
TR-H74-AL	120 mm	raw aluminium
TR-H74-RAL	120 mm	RAL
Properties		
Material	aluminium	

„T” type insulated fixing post

TR-T

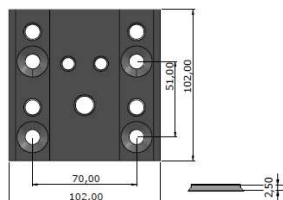


Product code	Length	Finish
TR-T-AL	120 mm	raw aluminium
TR-T-RAL	120 mm	RAL
Properties		
Material	aluminium	

Glass balustrade systems

Floor plate

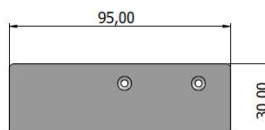
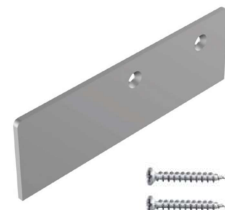
TR-P102



Product code	Finish
TR-P102-AL	raw aluminium
TR-P102-RAL	RAL
Properties	
Material	aluminium

TR-9530 handrail endcap

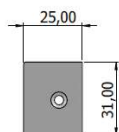
TR-9530-Z



Product code	Type	Finish
TR-9530-Z-L-AL	left	raw aluminium
TR-9530-Z-L-RAL	left	RAL
TR-9530-Z-R-AL	right	raw aluminium
TR-9530-Z-R-RAL	right	RAL
Properties		
Material	aluminium	

TR-3125 handrail endcap

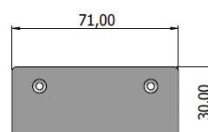
TR-3125-Z



Product code	Type	Finish
TR-3125-Z-L-AL	left	raw aluminium
TR-3125-Z-L-RAL	left	RAL
TR-3125-Z-R-AL	right	raw aluminium
TR-3125-Z-R-RAL	right	RAL
Properties		
Material	aluminium	

TR-7030 handrail endcap

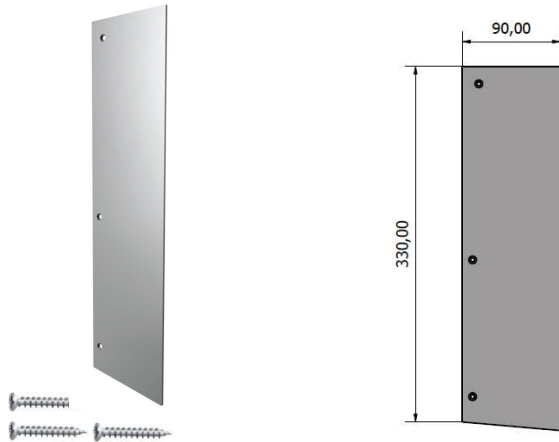
TR-7030-Z



Product code	Finish
TR-7030-Z-AL	raw aluminium
TR-7030-Z-RAL	RAL
Properties	
Material	aluminium

TR-243 balcony slab cover endcap

TR-243-Z



Product code	Type	Finish
TR-243-Z-L-AL	left	raw aluminium
TR-243-Z-L-RAL	left	RAL
TR-243-Z-R-AL	right	raw aluminium
TR-243-Z-R-RAL	right	RAL
Properties		
Material		aluminium

TR-6725 glazing profile endcap

TR-6725-Z



Product code	Type	Finish
TR-6725-Z-L-AL	left	raw aluminium
TR-6725-Z-L-RAL	left	RAL
TR-6725-Z-R-AL	right	raw aluminium
TR-6725-Z-R-RAL	right	RAL
Properties		
Material		aluminium

TR-6338 handrail endcap

TR-6338-Z

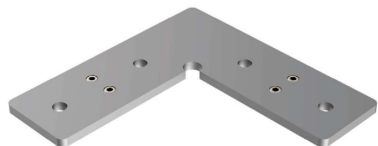


Product code	Finish
TR-6338-Z-AL	raw aluminium
TR-6338-Z-RAL	RAL
Properties	
Material	aluminium

Glass balustrade systems

Handrail connector 90°

TR-90-K



Product code

TR-90-K

Properties

Material stainless steel

Glazing profile connector 90°

TR-90-3



Product code

TR-90-3

Properties

Material stainless steel

Handrail connector 180°

TR-180-K



Product code

TR-180-K

Properties

Material stainless steel

Glazing profile connector 180°

TR-180-3



Product code

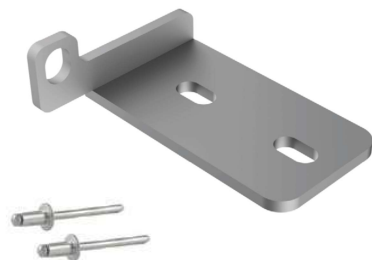
TR-180-3

Properties

Material stainless steel

Handrail fixing - to the wall

TR-K



Product code

TR-K

Properties

Material stainless steel

Seals

U-876/1076

glass 8,76 mm



+



glass 10,76 mm



+



Product code	Glass thickness	Finish
U-876-GR	8,76 mm	grey
U-876-B	8,76 mm	black
U-1076-GR	10,76 mm	grey
U-1076-B	10,76 mm	black

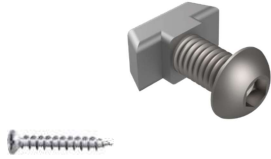
Properties

Material

PVC

Glazing profile to balustrade post fixing set

TR-M6



Product code	Packaging
TR-M6	1 pc.
Properties	
Material	stainless steel

Attaching glazing profile to balustrade post requires 3,9x30 screw

Balustrade post to fitting screw set

TR-M8



Product code	Packaging
TR-M8	1 set - 2 pc.
Properties	
Material	stainless steel

Balustrade post to floor plate screw set

TR-M8-M12



Product code	Packaging
TR-M8-M12	1 set
Properties	
Material	stainless steel

TR-H to TR-T fixing screw set

TR-M8-M30



Product code	Packaging
TR-M8-M30	1 set - 2 pc.
Properties	
Material	stainless steel

Handrail to the wall screw set

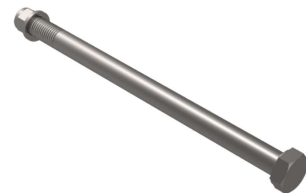
TR-M10-M6



Product code	Packaging
TR-M10-M6	1 pc.
Properties	
Material	stainless steel

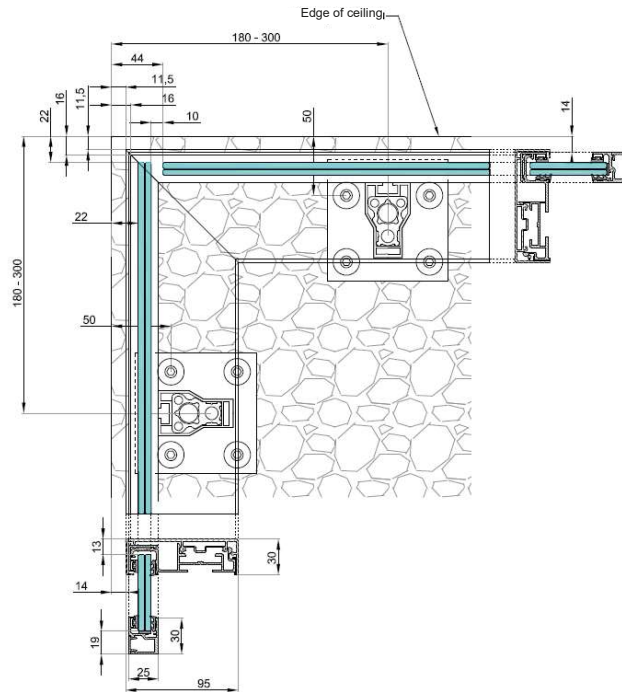
Reinforcement post to the floor screw set

TR-M16

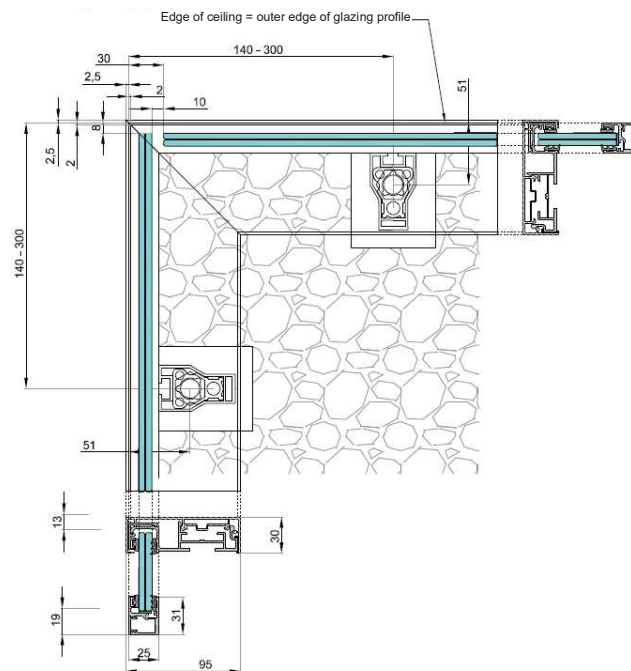


Product code	Packaging
TR-M16	1 pc.
Properties	
Material	stainless steel

Mounting schema TR-1-1 Floor mounting using TR-P102

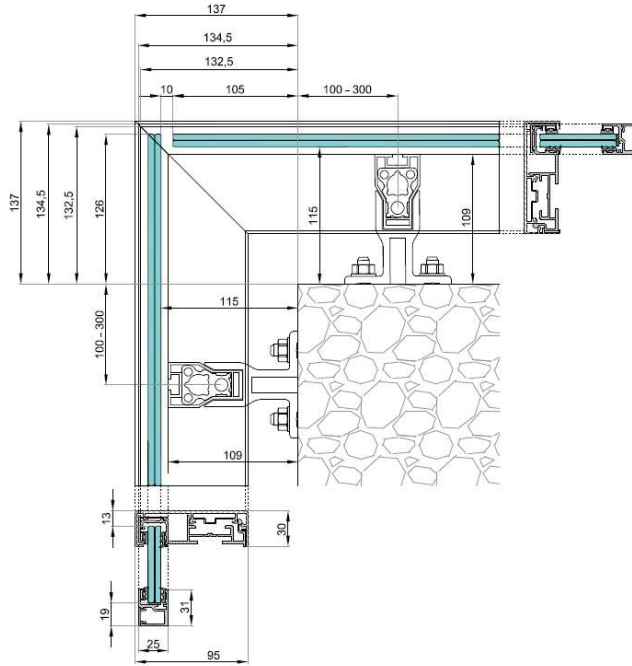


Mounting schema TR-1-1 Floor mounting using TR-M16



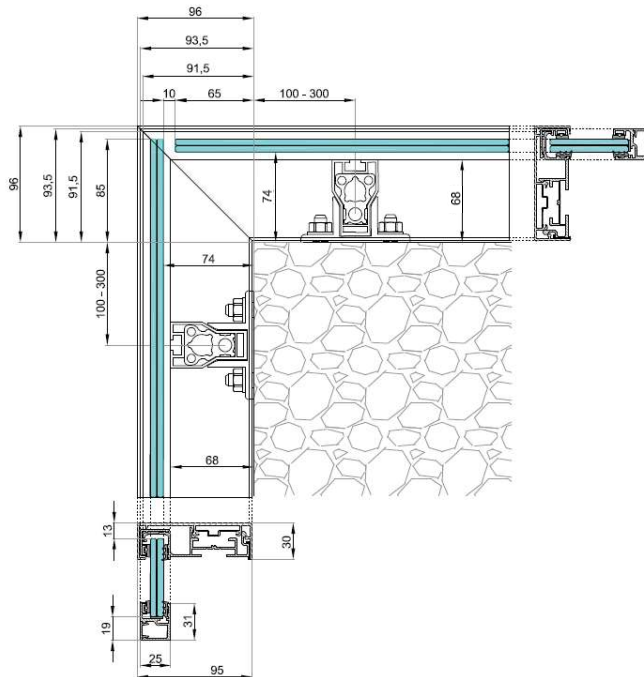
Mounting schema TR-1-2

Face balcony mounting using TR-H115



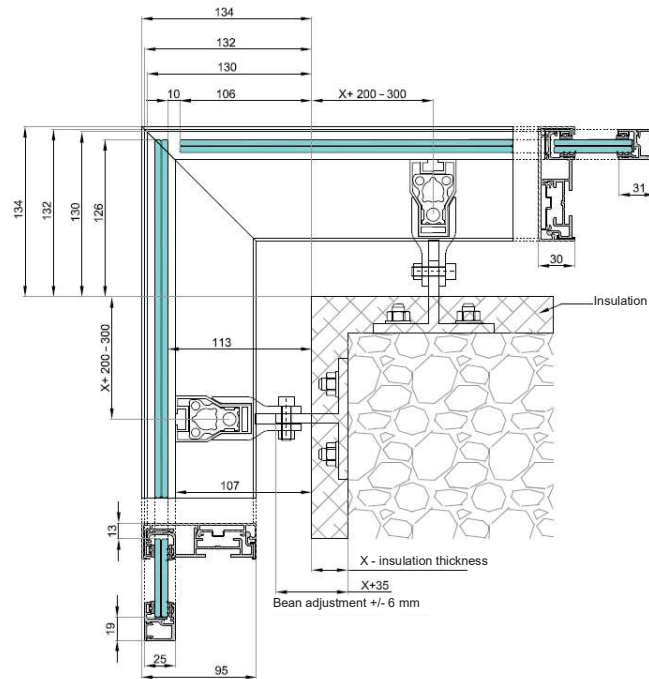
Mounting schema TR-1-2

Face balcony mounting using TR-H74



Mounting schema TR-1-2

Face insulated balcony mounting using TR-H115



Mounting schema

TR-3125 and TR-6725 glazing profiles

