

A photograph of a modern glass door system installed on a wooden deck overlooking a body of water. A person is seen from behind, reaching for a handle on the glass door. The scene is set against a backdrop of a blue sky and distant hills.

MUNDUS Premium MUNDUS Comfort

Patch fittings and accessories





TABLE OF CONTENTS

General information 6	Locks and strike boxes 20 – 22	Accessories 30 – 46
Technical information 7	Construction details 23	Safety-related information 47
Type selection 8	Glass preparation – Overview 24	
Technical details 9 – 11	Glass preparations patch fittings 25 – 27	
Patch fittings 12 – 17	Glass preparations locks and strike boxes 28 – 29	
Connector patches 18 – 19		



MUNDUS – THE FREEDOM OF VERSATILITY

Convincing benefits:

- Clear design, no visible fixings
- Wide range of finishes, colors and materials
- Fast installation, easy in-situ adjustment
- Always fits – adjusts to different glass thicknesses without the need to change gaskets
- Suitable for laminated safety glass employing the tried and tested DORMA clamp & glue technology for the highest demands on quality and safety
- Easy to retrofit and integrate in existing systems – existing patch fittings and locks can be readily replaced by MUNDUS components

Sophisticated design

MUNDUS patch fittings are striking in appearance thanks to their elegant shape with straight

edges and radiused corners, their high-quality materials and the care and workmanship that goes into their manufacture. There are no fixings to disrupt the smooth surface. And to ensure that their alluring appearance lasts, the cap consists of 2 mm thick – and thus particularly robust – material in the form of either stainless steel or aluminum.

MUNDUS offers patch fittings for 24 standard systems and numerous customized solutions.

Whether for an open home ambience, attractive office or prestigious shop entrance, visually and technically advanced MUNDUS range of glass architectural hardware offers solutions to a wide range of different requirements. The extensive portfolio encompasses

connection and corner patch fittings for the most common 24 standard systems – such as PT 10, PT 40 or PT 70. Additional special designs aligned to specific room configurations, including angled models for three-dimensional configurations that can be installed on either side, i.e. left and right, and around corners – such as the PT 41 and PT 61 – also from part of the range.

Fast and uncomplicated fixing

MUNDUS patch fittings always fit snugly on the glass thanks to their multi-dimensional variability. They facilitate infinite adjustment of the vertical gap dimensions and location accuracy in terms of both pivot point and zero position.

Easy to retrofit

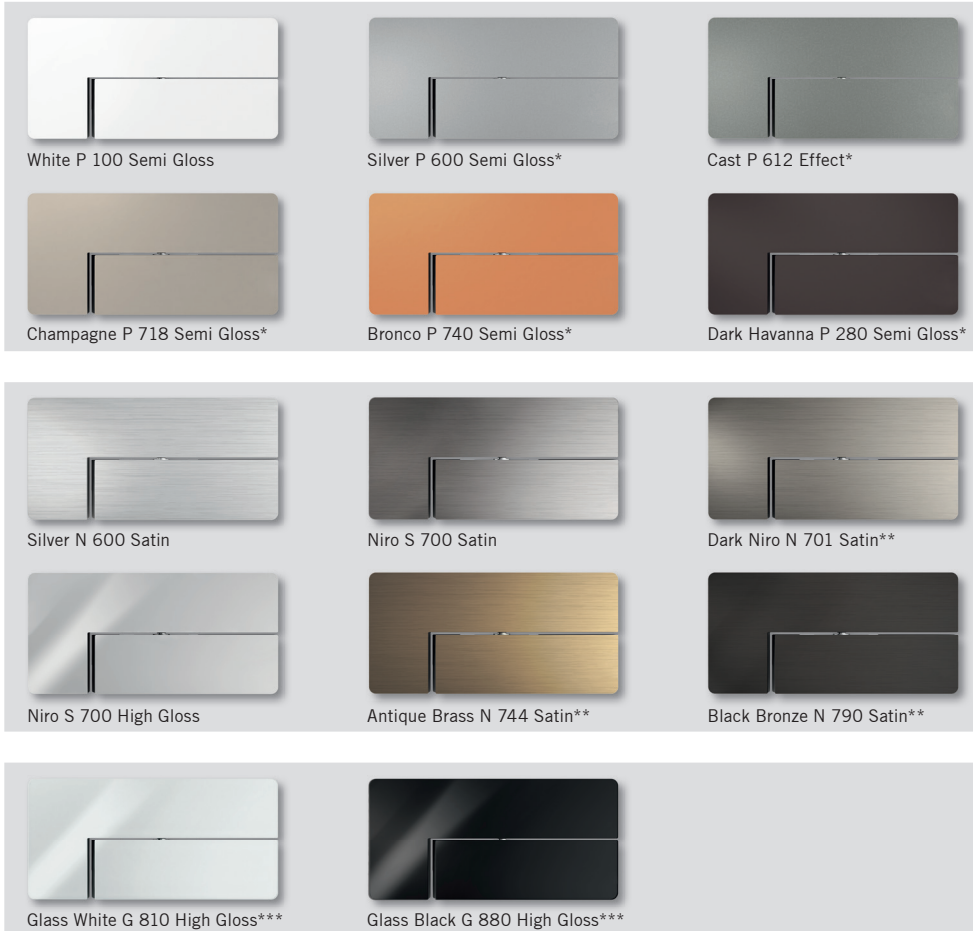
A patch fitting that will match the most common glass cut-outs worldwide.

MUNDUS can also be retrofitted to existing installations by simply replacing the patch fittings.

Through its variability it is able to cover the most common glass cut-outs used or required around the world, making it particularly suitable as a retrofit solution.

Replacement can be carried out quickly and hassle-free. Simply take off the door, remove the old patch fittings, clean the glass, fit the new patch fittings and hang the door back in place.

Wide choice of finishes



Trend collection

Painted aluminum surfaces aligned to current trends in interior design.

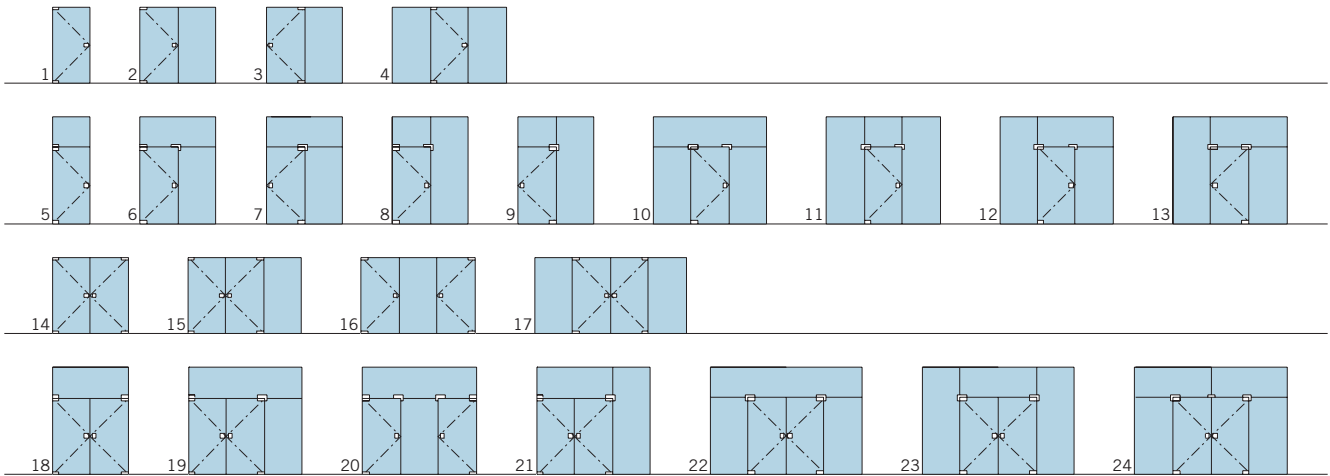
Exclusive collection

Treated metals such as anodized aluminum or polished stainless steel.

Glass collection

Glass finishes enable the fittings to visually merge with glass doors, creating a completely new effect.

MUNDUS – THE TECHNICAL SPECIFICATIONS AT A GLANCE



Applications and features	MUNDUS Premium	MUNDUS Comfort
Max. load-bearing capacity in kg	200	150
Possible glass thickness in mm	8 – 12 12 – 15 15 – 19 19 – 22	8 – 12
Max. door width in mm	1,300	1,100
Suitable for LSG	●	–
Supported pivot points in mm	55, 65, 70	55, 65, 70
Offset adjustability in mm	Infinite (+/- 3); 52 – 73	Infinite (+/- 3); 52 – 73
Adjustability of the door/insert	Multi-dimensional	Multi-dimensional
Cover materials	Stainless steel, aluminum, glass etc.	Stainless steel, aluminum
Test cycles to EN 12400	1,000,000	500,000
Test cycles to ANSI 156.1 and 156.4*	2,500,000	1,000,000
Corrosion class to EN 1670*	4	4

Materials and finishes

Trend collection

White P 100 Semi Gloss	●	●
Silver P 600 Semi Gloss*	●	–
Cast P 612 Effect*	●	–
Champagne P 718 Semi Gloss*	●	–
Bronco P 740 Semi Gloss*	●	–
Dark Havanna P 280 Semi Gloss*	●	–

Exclusive collection

Silver N 600 Satin	●	●
Niro S 700 Satin	●	●
Dark Niro N 701 Satin**	●	–
Niro S 700 High Gloss	●	●
Antique Brass N 744 Satin**	●	–
Black Bronze N 790 Satin**	●	–

Glass collection

Glass White G 810 High Gloss***	●	–
Glass Black G 880 High Gloss***	●	–

● Standard – not available

P - Paint/powder-coated

S - Stainless steel

N - Anodized aluminum

G - Glass

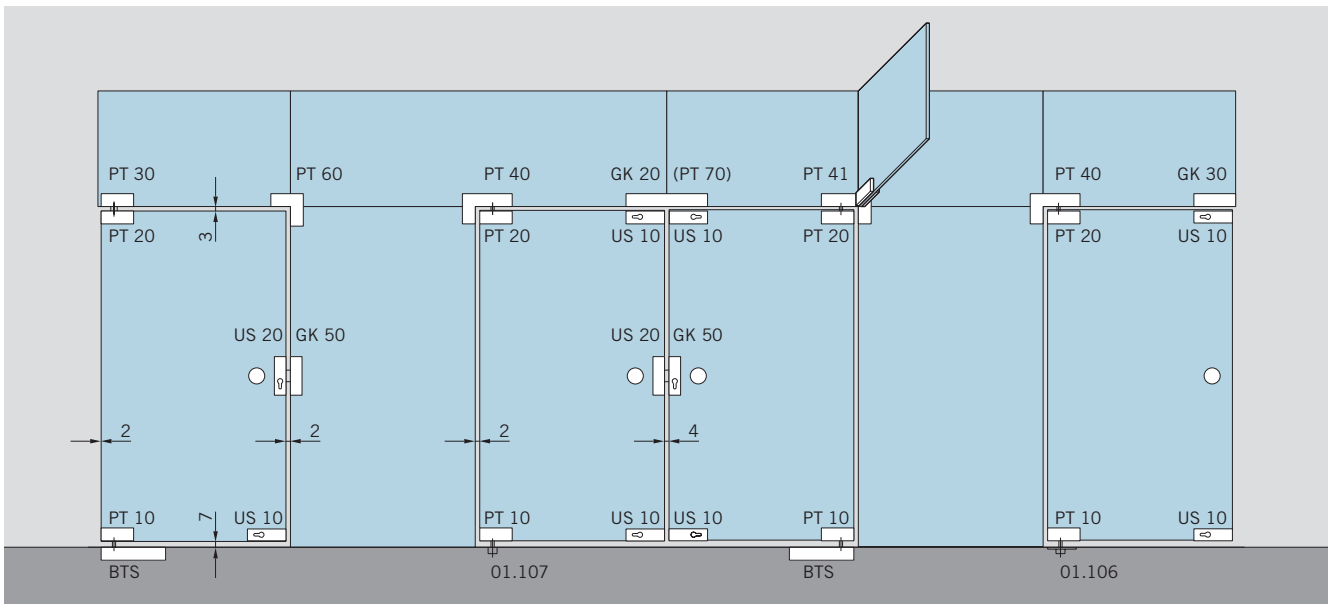
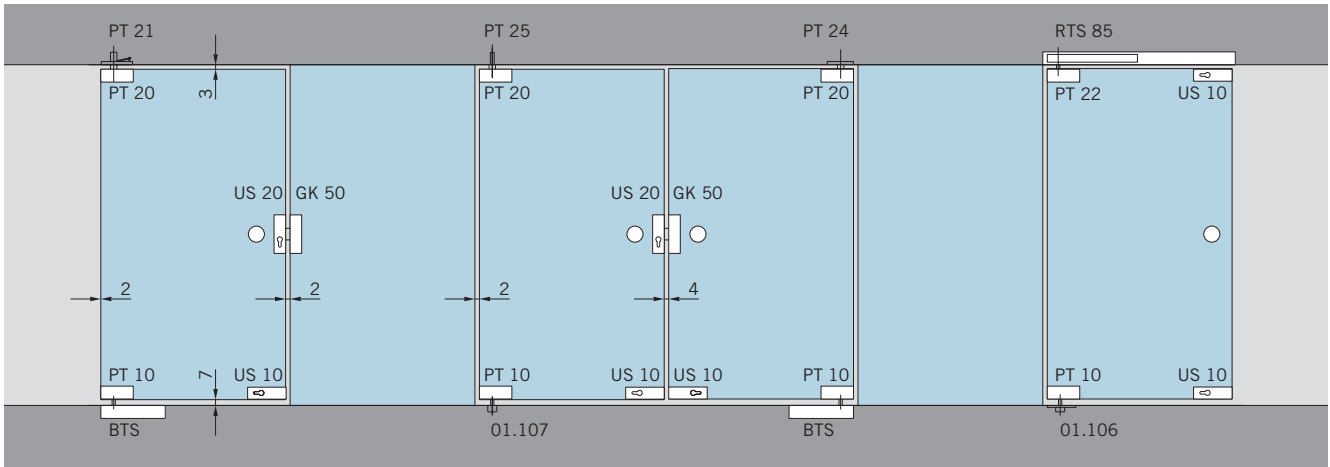
* Available via 399 (Aluminum, special color) from 07/2016

** Available via 199 (Aluminum, special anodized)

*** Available from 09/2016

TYPE SELECTION

Toughened glass assemblies with fittings (55/65/70 mm pivot point) and locks.



- BTS = Floor spring
- GK = Strike box
- PT = Patch
- RTS = Transom closer
- US = Lock

Maximum door weight and width for MUNDUS fittings

Max. door weight:
 MUNDUS Premium: 200 kg
 MUNDUS Comfort: 150 kg
 Max. door width:
 MUNDUS Premium: 1,300 mm
 MUNDUS Comfort: 1,100 mm

For door heights up to 2500 mm

For doors with a height of more than 2,500 mm we should keep additional conditions/limits:

- Glass thickness ≥ 10 mm
- + Usage of a handle bar with 3 connection points in minimum and a minimum height of 2/3 door height

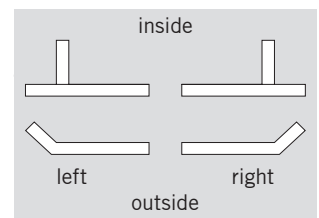
Use of door closers:

Doors ≥ 100 kg must be used with door closers type EN4

(with or without out back check) or EN5 without back check.

Glass panels

The individual glass panels may show production tolerances in geometry and dimensions that sum up to larger deviations in larger glass assemblies. These deviations are not shown in the exemplary constructional set up above.



EASY TO INSTALL, EASY TO ADJUST

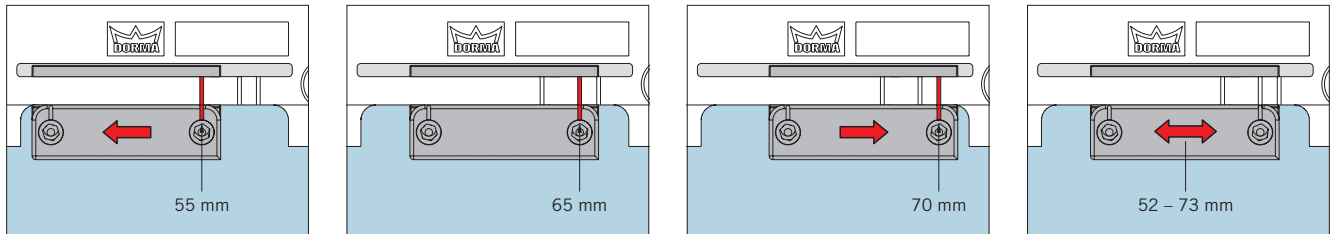
Fast and uncomplicated fixing

MUNDUS patch fittings always fit snugly on the glass thanks to their multi-dimensional variability. They facilitate infinite adjustment of the vertical gap dimensions

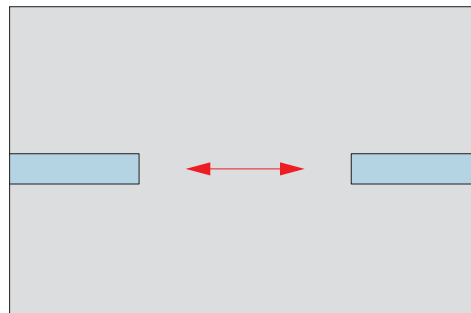
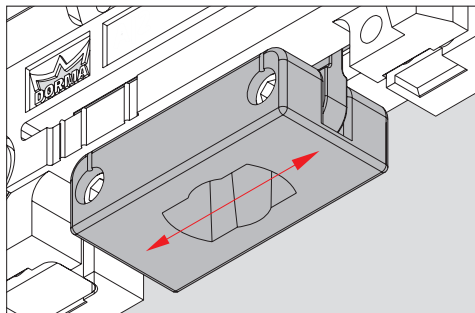
and location accuracy in terms of both pivot point and zero position.

Optimum gap dimensions

Thanks to the infinitely variable, multi-dimensional adjustability of the patch fittings, the door can be optimally aligned following installation.

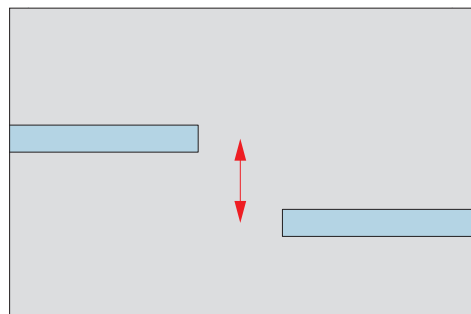
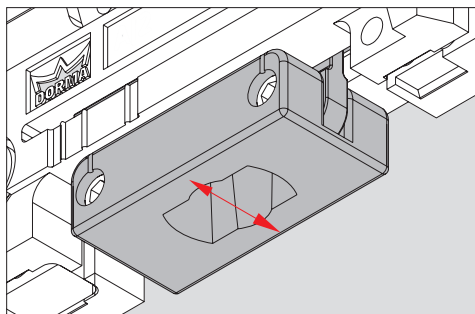


Multi-dimensional adjustability even when mounted



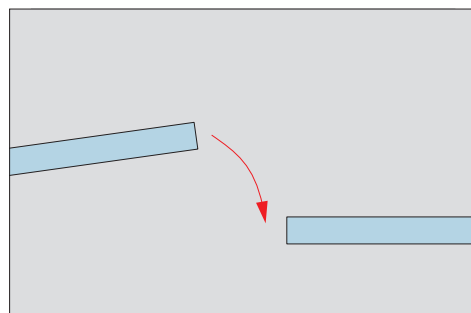
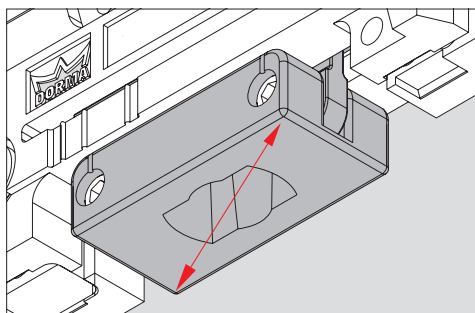
Alignment in the X axis

Individual adjustment of the pivot point, infinitely variable between 52 and 73 mm.



Alignment in the Z axis

Infinite variability of the door position to achieve flush alignment thanks to adjustment of up to 1 mm for a glass thickness of 8 mm, or 3 mm for a glass thickness of 12 mm.



Zero position adjustment

Infinite alignment variability of the door to achieve the correct zero position by adjustment around the axis of rotation in the range +/- 1.5°.

NO SPECIAL GASKETS NEEDED

Thanks to flexible settings for glass widths and glass cut-outs



With MUNDUS, customers will need no gaskets to adjust the base plates for different glass thicknesses, as MUNDUS therefore offers an adjustment. Instead of gasket replacement,

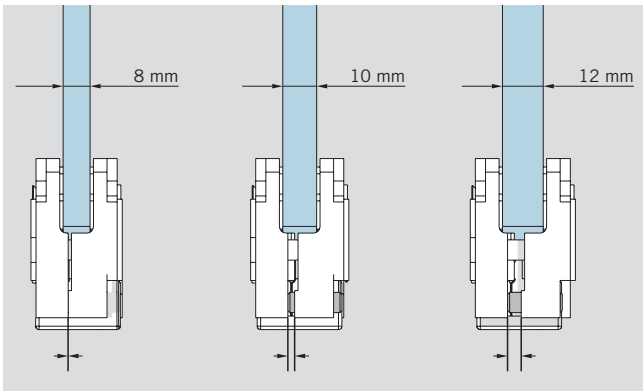
all that is required is the adjustment of two screws. Only one gasket is needed to avoid direct contact of the glass with the metal body of the patch fitting.

Suitable for different glass thicknesses

Glass thicknesses of 8 – 12 mm, 12 – 15 mm, 15 – 19 mm and 19 – 22 mm can be installed with a single, adjustable fitting. You always have the right patch fitting to hand – and that means

fast installation, more time saved and more designed-in elegance.

Glass thickness: 8 – 22 mm
Door weights: up to 200 kg



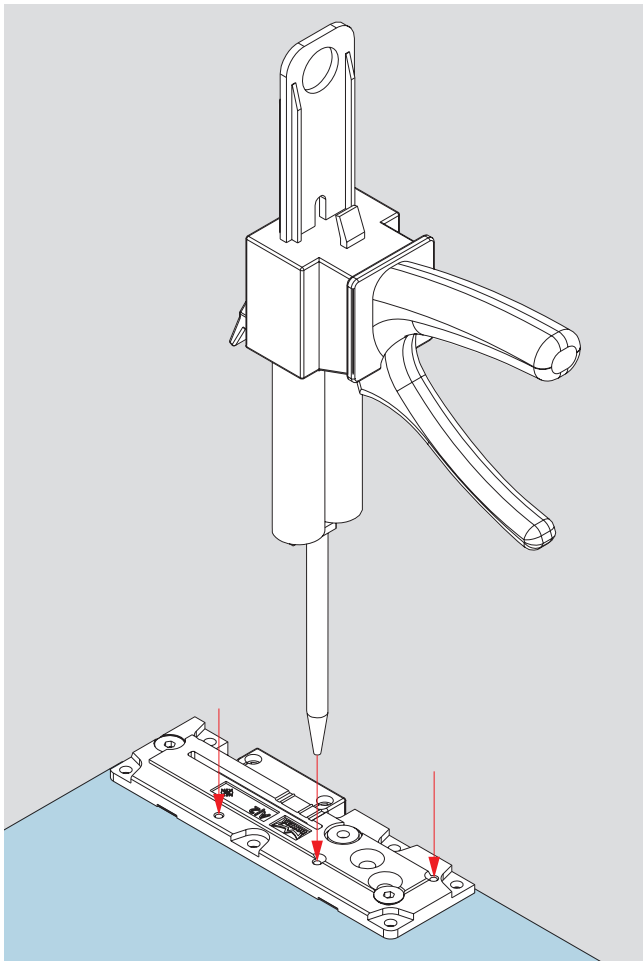
Thickness adjustment

Within each thickness category, MUNDUS can be adjusted continuously with two screws instead of gasket replacement.

In the given example, MUNDUS Comfort PT 10 to the most common glass types of 8 mm, 10 mm and 12 mm.

LAMINATED SAFETY GLASS (LSG)

DORMA Clamp & Glue technology



MUNDUS and laminated safety glass (LSG) – a combination that offers impressive benefits:

- High degree of safety for users, even in the case of large architectural glass constructions
- Integration of soundabsorbing film possible to reduce noise levels
- Switchable glass, e.g. for conference rooms – application of an electric pulse causes the glass to become opaque for privacy
- Maximum residual loadbearing capacity through the use of LSG with semitempered glass

Offering reliable retention – innovative Clamp & Glue technology

The proven DORMA technology for the installation of laminated safety glass. Additional adhesive bonding ensures a firm hold with the fitting permanently joined to the glass.

Easy bonding operation following clamp fixing:

- Adhesive injected into inlet holes
- Operation complete once adhesive emerges at the overflow openings at the side of the clamping plate
- Operation repeated on the rear face
- Adhesive needs to be allowed to cure

HOW TO COMPOUND THE DORMA ARTICLE NUMBER

Illustrated using the example of MUNDUS Comfort, PT10, surface NIRO S700 Satin – Satin Stainless Steel (F750)

Complete article number: 8.42.100.750.99

Code	8	42	100	750	99
Meaning for this part of the code in general	Product category	Product group	Article definition	Surface finish	Article status
In this special case	DORMA glass product	Patch fittings MUNDUS Comfort	PT10	Satin Stainless steel	Salable article

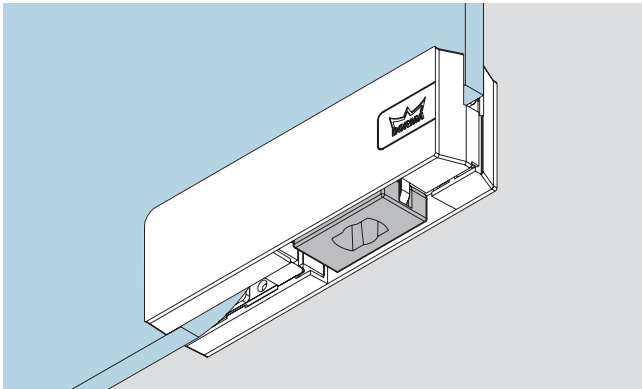
The short version used in this technical documentation only shows product group and article definition. In our example: 42.100.

For all articles shown in this catalogue the codes 8 (DORMA glass product) and 99 (salable article) remain unchanged. The other parts of the code are variable depending on the particular article and finish.

Art. No.	8.42.xxx. xxx .99	Art. No.	8.42.xxx. xxx .99
White P 100 Semi Gloss - Aluminum White	350	Glass White G810 High Gloss	810
Silver N 600 Satin - Aluminum Silver	150	Glass Black G 880 High Gloss	880
Niro S 700 Satin - Satin Stainless Steel	750	Aluminum special anodized	199
Niro S 700 High Gloss - Polished Stainless Steel	751	Aluminum special color	399

PATCH FITTINGS

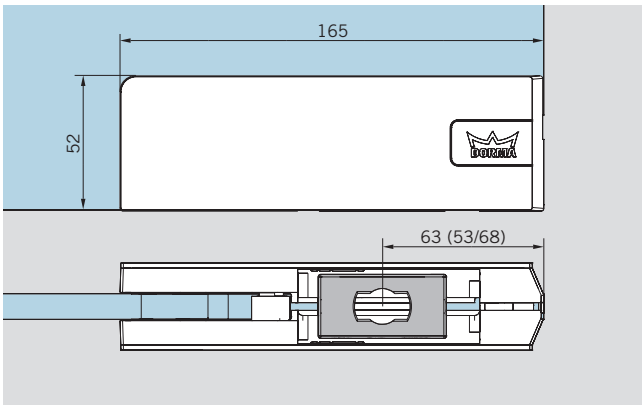
Shown with 10 mm glass. When used with other glass thicknesses, the measurements change accordingly.



**PT 10 Premium
bottom patch fitting**

use for flat-conical floor spring spindle or round pivot Ø 14 mm. For glass weight up to 200 kg and use with toughened safety glass (TSG). Also prepared for use with laminated safety glass (LSG) - separate gaskets required (see page 35).

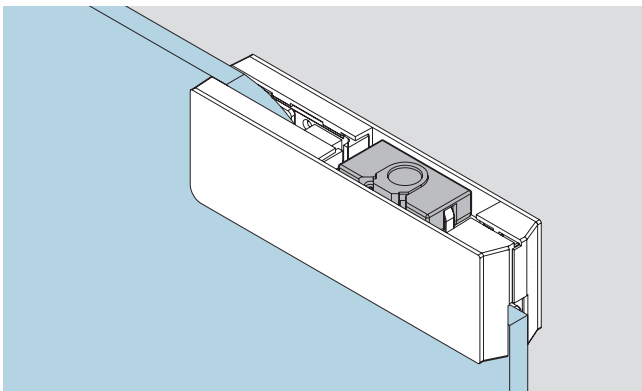
- 8 – 12 mm **Art. No. 42.100**
- 12 – 15 mm **Art. No. 42.101**
- 15 – 19 mm **Art. No. 42.102**
- 19 – 22 mm **Art. No. 42.103**



**PT 10 Comfort
bottom patch fitting**

use for flat-conical floor spring spindle or round pivot Ø 14 mm. For glass weight up to 150 kg and use with toughened safety glass (TSG).

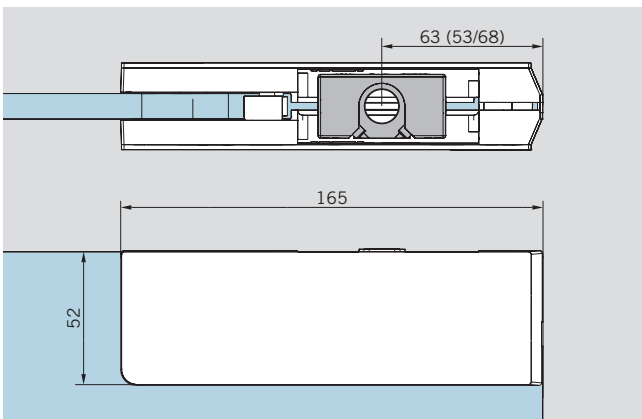
- 8 – 12 mm **Art. No. 38.100**



**PT 20 Premium
top patch fitting**

with plastic socket for pivot Ø 14 mm. For glass weight up to 200 kg and use with toughened safety glass (TSG). Also prepared for use with laminated safety glass (LSG) - separate gaskets required (see page 35).

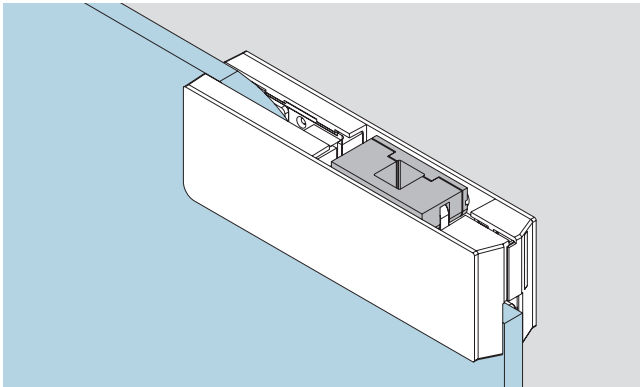
- 8 – 12 mm **Art. No. 42.200**
- 12 – 15 mm **Art. No. 42.201**
- 15 – 19 mm **Art. No. 42.202**
- 19 – 22 mm **Art. No. 42.203**



**PT 20 Comfort
top patch fitting**

with plastic socket for pivot Ø 14 mm. For glass weight up to 150 kg and use with toughened safety glass (TSG).

- 8 – 12 mm **Art. No. 38.200**



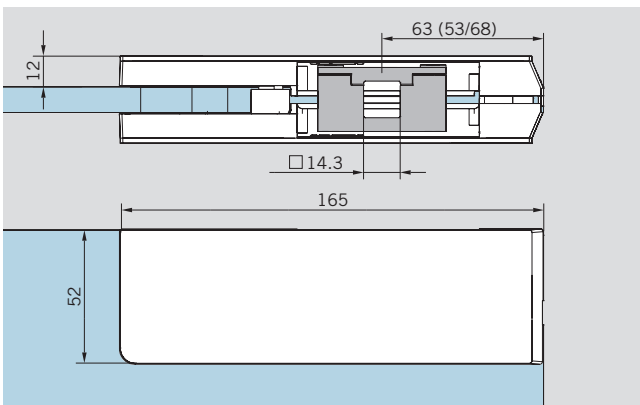
**PT 22 Premium
top patch fitting**

with insert for transom closer
DORMA RTS.

For use with toughened
safety glass (TSG). Also prepared
for use with laminated safety
glass (LSG) - separate gaskets
required (see page 35).

- 8 – 12 mm
- 12 – 15 mm
- 15 – 19 mm
- 19 – 22 mm

- Art. No. 42.220**
- Art. No. 42.221**
- Art. No. 42.222**
- Art. No. 42.223**



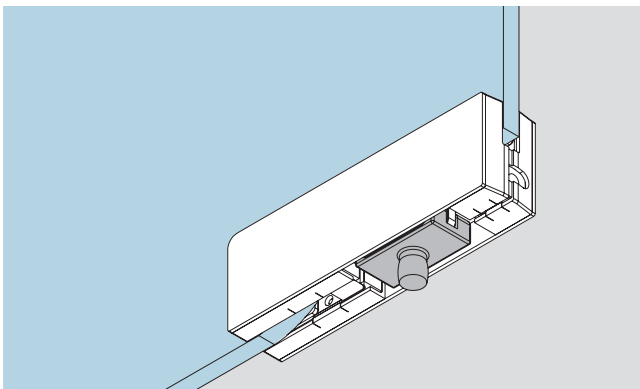
**PT 22 Comfort
top patch fitting**

with insert for transom closer
DORMA RTS.

For use with toughened
safety glass (TSG).

- 8 – 12 mm

- Art. No. 38.220**



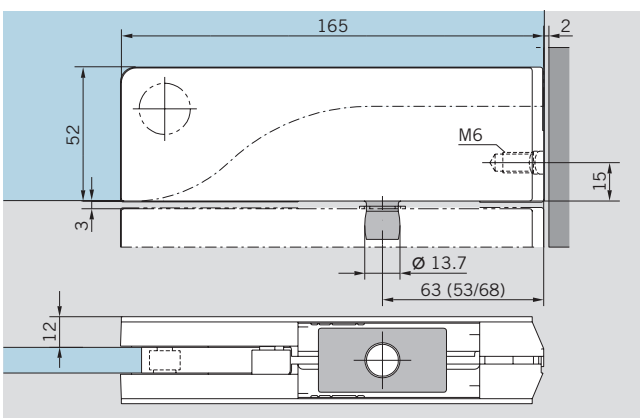
**PT 30 Premium
overpanel patch fitting**

with pivot \varnothing 14 mm and
M 8 tapped hole at side.

For use with toughened
safety glass (TSG). Also prepared
for use with laminated safety
glass (LSG) - separate gaskets
required (see page 35).

- 8 – 12 mm
- 12 – 15 mm
- 15 – 19 mm
- 19 – 22 mm

- Art. No. 42.300**
- Art. No. 42.301**
- Art. No. 42.302**
- Art. No. 42.310**



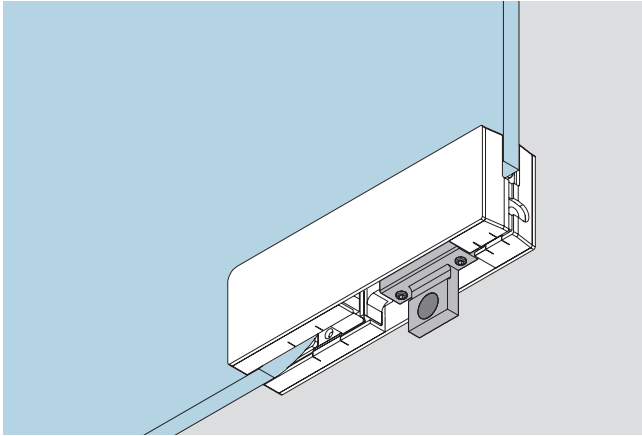
**PT 30 Comfort
overpanel patch fitting**

with pivot \varnothing 14 mm and
M 8 tapped hole at side.

for use with toughened
safety glass (TSG).

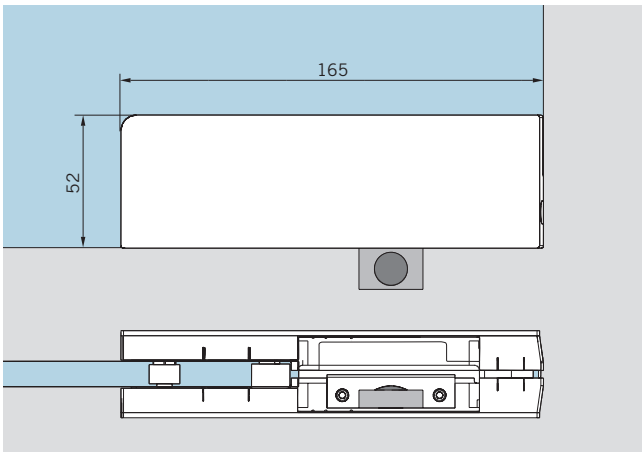
- 8 – 12 mm

- Art. No. 38.300**



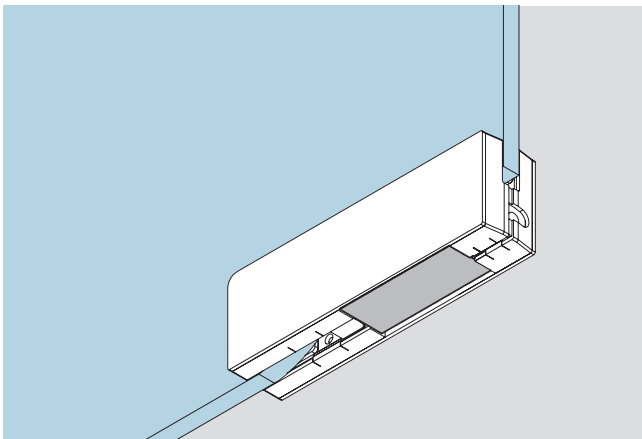
PT 30 Premium overpanel patch fitting
with stop insert.
For use with toughened safety glass (TSG). Also prepared for use with laminated safety glass (LSG) - separate gaskets required (see page 35).

8 – 15 mm **Art. No. 42.303**
15 – 19 mm **Art. No. 42.305**
19 – 22 mm **Art. No. 42.311**



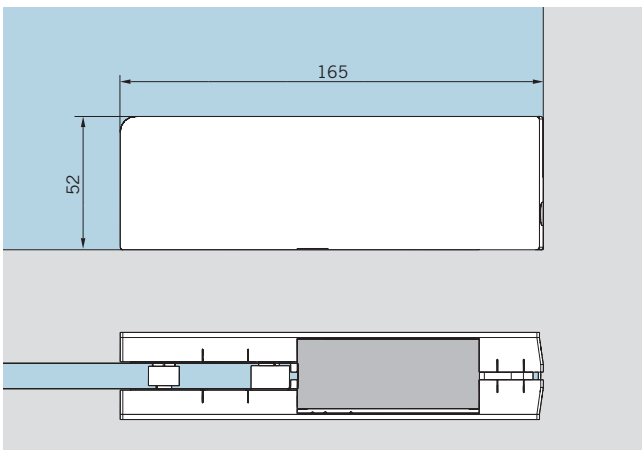
PT 30 Comfort overpanel patch
with stop insert.
For use with toughened safety glass (TSG).

8 – 15 mm **Art. No. 38.303**



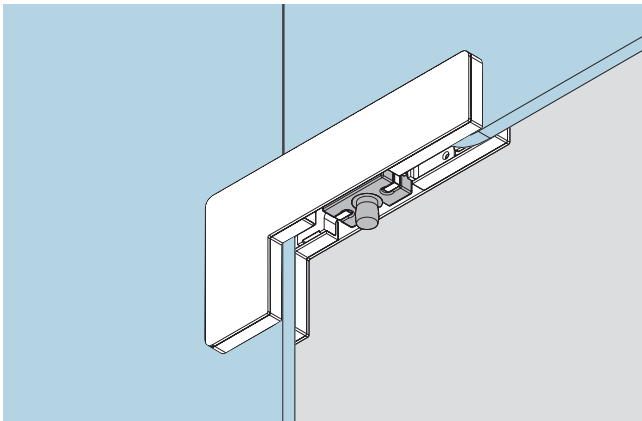
PT 30 Premium overpanel patch fitting
with blanking insert.
For use with toughened safety glass (TSG). Also prepared for use with laminated safety glass (LSG) - separate gaskets required (see page 35).

8 – 15 mm **Art. No. 42.306**
15 – 19 mm **Art. No. 42.308**
19 – 22 mm **Art. No. 42.312**



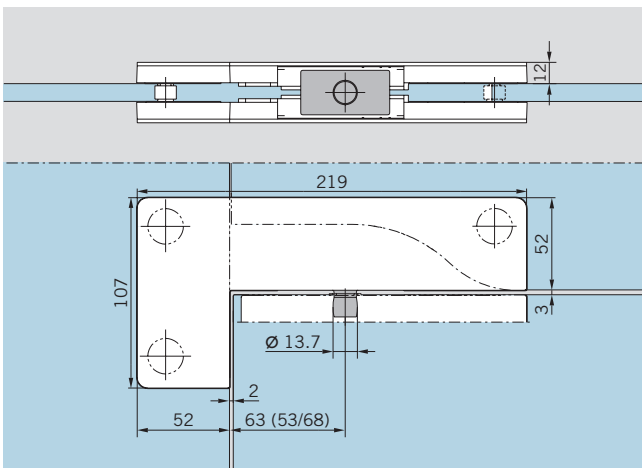
PT 30 Comfort overpanel patch
with blanking insert.
For use with toughened safety glass (TSG).

8 – 15 mm **Art. No. 38.306**



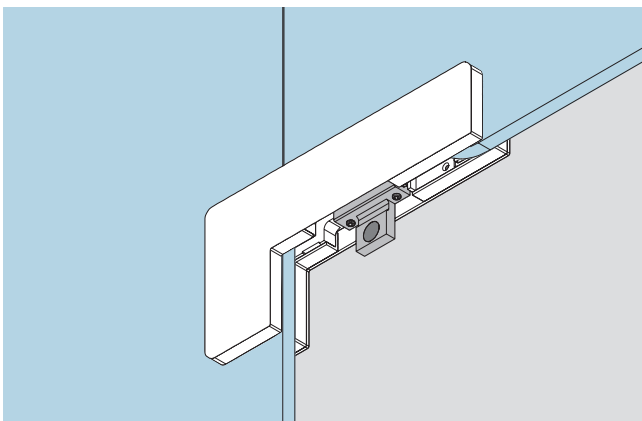
PT 40 Premium
patch for overpanel and sidelight
 with pivot \varnothing 14 mm.
 For use with toughened
 safety glass (TSG). Also prepared
 for use with laminated safety
 glass (LSG) - separate gaskets
 required (see page 35).

8 – 12 mm **Art. No. 42.400**
 12 – 15 mm **Art. No. 42.401**
 15 – 19 mm **Art. No. 42.402**
 19 – 22 mm **Art. No. 42.470**



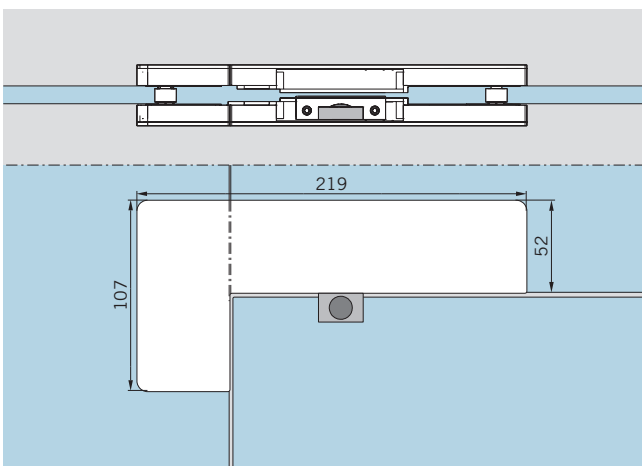
PT 40 Comfort
patch for overpanel and sidelight
 with pivot \varnothing 14 mm.
 For use with toughened
 safety glass (TSG).

8 – 12 mm **Art. No. 38.400**



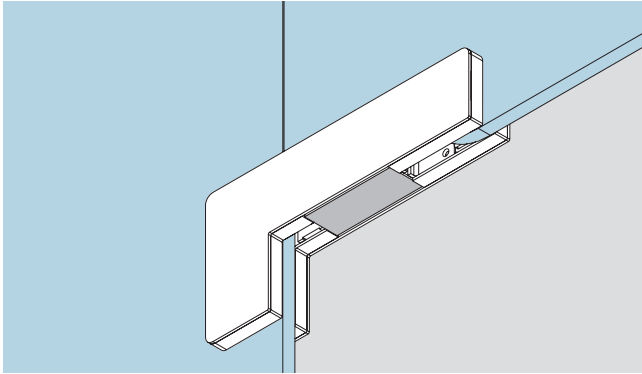
PT 40 Premium
patch for overpanel and sidelight
 with stop insert.
 For use with toughened
 safety glass (TSG). Also prepared
 for use with laminated safety
 glass (LSG) - separate gaskets
 required (see page 35).

8 – 15 mm **Art. No. 42.403**
 15 – 19 mm **Art. No. 42.405**
 19 – 22 mm **Art. No. 42.471**



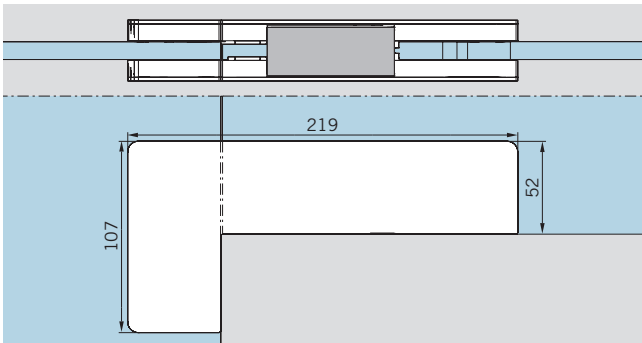
PT 40 Comfort
patch for overpanel and sidelight
 with stop insert.
 For use with toughened
 safety glass (TSG).

8 – 15 mm **Art. No. 38.403**



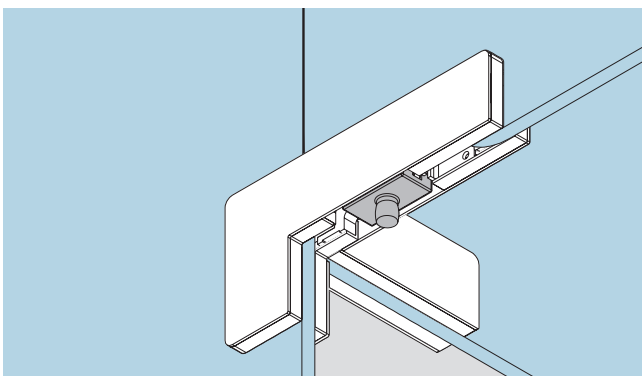
PT 40 Premium
patch for overpanel and sidelight
 with blanking insert.
 For use with toughened safety glass (TSG). Also prepared for use with laminated safety glass (LSG) - separate gaskets required (see page 35).

- 8 – 15 mm **Art. No. 42.406**
- 15 – 19 mm **Art. No. 42.408**
- 19 – 22 mm **Art. No. 42.409**



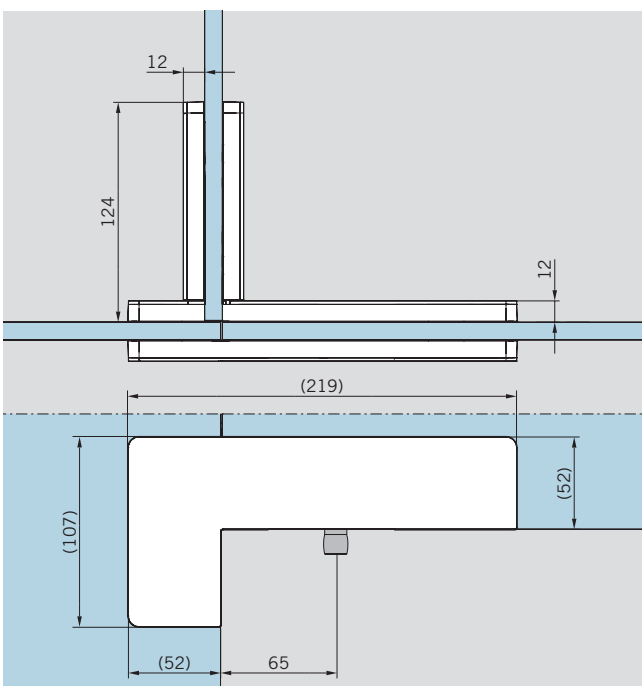
PT 40 Comfort
patch for overpanel and sidelight
 with blanking insert.
 For use with toughened safety glass (TSG).

- 8 – 15 mm **Art. No. 38.406**



PT 41 Premium
patch for overpanel and sidelight
 with pivot pin \varnothing 14 mm and fin fitting*. For use with toughened safety glass (TSG). Also prepared for use with laminated safety glass (LSG) - separate gaskets required (see page 35).

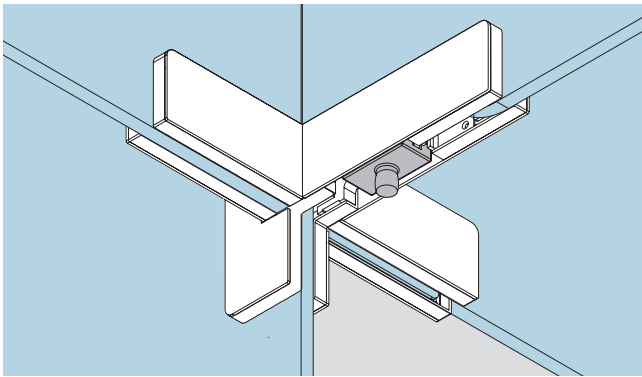
- | | | |
|-----------------------------|------------------------|---------------|
| with pivot pin | left | right |
| 8 – 12 mm | Art. No. 42.410 | 42.420 |
| 12 – 15 mm | Art. No. 42.411 | 42.421 |
| 15 – 19 mm | Art. No. 42.412 | 42.422 |
| 19 – 22 mm | Art. No. 42.472 | 42.474 |
| with stop insert | | |
| 8 – 15 mm | Art. No. 42.413 | 42.423 |
| 15 – 19 mm | Art. No. 42.415 | 42.425 |
| 19 – 22 mm | Art. No. 42.473 | 42.475 |
| with blanking insert | | |
| 8 – 15 mm | Art. No. 42.416 | 42.426 |
| 15 – 19 mm | Art. No. 42.418 | 42.428 |
| 19 – 22 mm | Art. No. 42.419 | 42.429 |



PT 41 Comfort
patch for overpanel and sidelight
 with pivot pin \varnothing 14 mm and fin fitting*. For use with toughened safety glass (TSG).

- | | | |
|-----------------------------|------------------------|---------------|
| with pivot pin | left | right |
| 8 – 12 mm | Art. No. 38.410 | 38.420 |
| with stop insert | | |
| 8 – 15 mm | Art. No. 38.413 | 38.423 |
| with blanking insert | | |
| 8 – 15 mm | Art. No. 38.416 | 38.426 |

* Left hand fin (illustration shows left hand) / right hand fin.
 Left or right hand are determined by view from outside.



PT 41 Premium
patch for overpanel and sidelight
 with pivot pin 14 mm Ø and
 fin fitting on both sides.
 For use with toughened
 safety glass (TSG). Also prepared
 for use with laminated safety
 glass (LSG) - separate gaskets
 required (see page 35).

with pivot pin

- 8 – 12 mm
- 12 – 15 mm
- 15 – 19 mm
- 19 – 22 mm

- Art. No. 42.430**
- Art. No. 42.431**
- Art. No. 42.432**
- Art. No. 42.476**

with stop insert

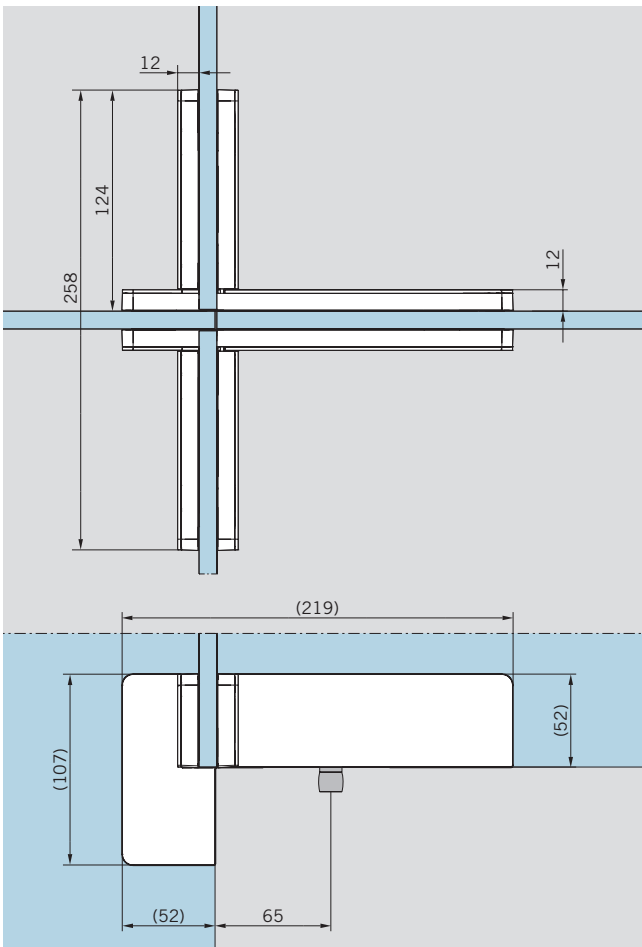
- 8 – 15 mm
- 15 – 19 mm
- 19 – 22 mm

- Art. No. 42.433**
- Art. No. 42.435**
- Art. No. 42.477**

with blanking insert

- 8 – 15 mm
- 15 – 19 mm
- 19 – 22 mm

- Art. No. 42.436**
- Art. No. 42.438**
- Art. No. 42.439**



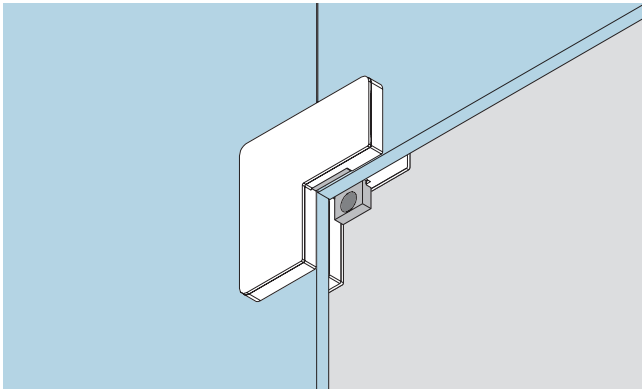
PT 41 Comfort
patch for overpanel and sidelight
 with pivot pin 14 mm Ø and
 fin fitting on both sides.
 For use with toughened
 safety glass (TSG).

- 8 – 12 mm

Art. No. 38.430

CONNECTOR PATCHES

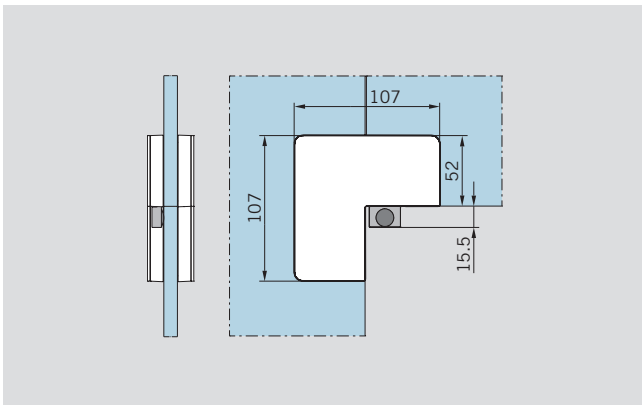
Shown with 10 mm glass. When used with other glass thicknesses, the measurements change accordingly.



PT 60 Premium connector

for double and single action doors with 1 stop insert and 2 blanking inserts. For use with toughened safety glass (TSG). Also prepared for use with laminated safety glass (LSG) - separate gaskets required (see page 35).

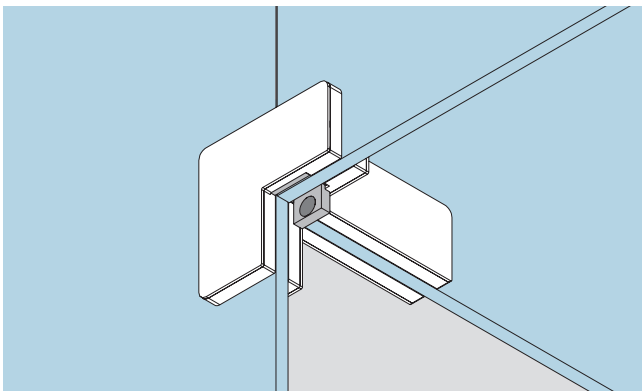
- | | |
|------------|------------------------|
| 8 – 15 mm | Art. No. 42.600 |
| 15 – 19 mm | Art. No. 42.602 |
| 19 – 22 mm | Art. No. 42.603 |



PT 60 Comfort connector

for double and single action doors with 1 stop insert and 2 blanking inserts. For use with toughened safety glass (TSG).

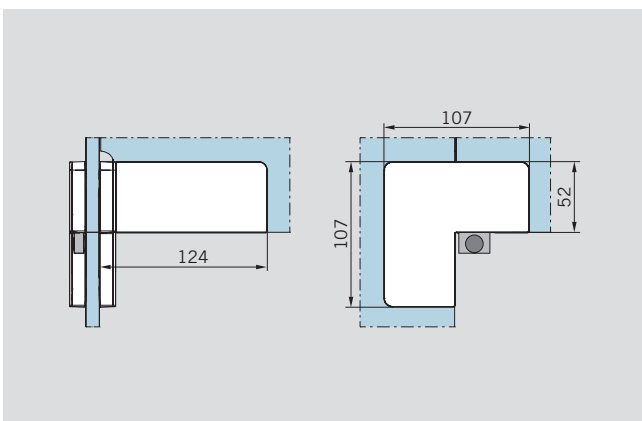
- | | |
|-----------|------------------------|
| 8 – 15 mm | Art. No. 38.600 |
|-----------|------------------------|



PT 61 Premium connector

for double and single action doors with fin fitting, with 1 stop insert and 2 blanking inserts*. For use with toughened safety glass (TSG). Also prepared for use with laminated safety glass (LSG) - separate gaskets required (see page 35).

- | | | |
|------------|------------------------|---------------|
| | left | right |
| 8 – 15 mm | Art. No. 42.610 | 42.613 |
| 15 – 19 mm | Art. No. 42.612 | 42.615 |
| 19 – 22 mm | Art. No. 42.604 | 42.605 |

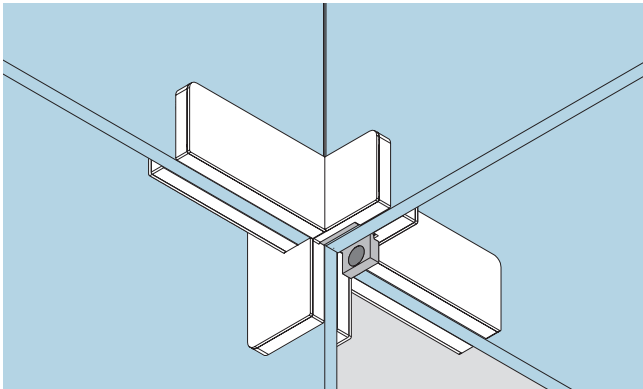


PT 61 Comfort connector

for double and single action doors with fin fitting, with 1 stop insert and 2 blanking inserts*. For use with toughened safety glass (TSG).

- | | | |
|-----------|------------------------|---------------|
| | left | right |
| 8 – 15 mm | Art. No. 38.610 | 38.613 |

* Left hand fin (illustration shows left hand) / right hand fin. Left or right hand are determined by view from outside.

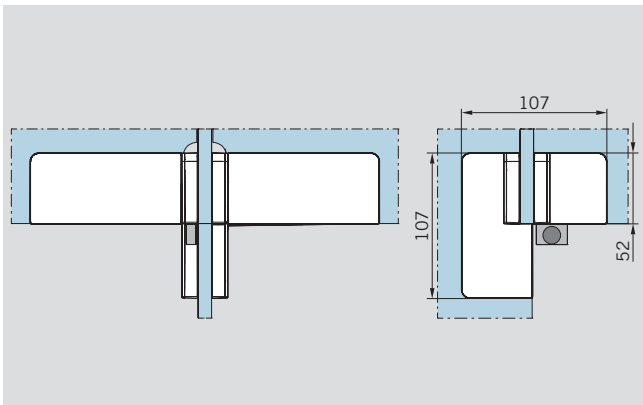


PT 61 Premium connector

for double and single action doors
with fin fitting on both sides
with 1 stop insert and
2 blanking inserts.
For use with toughened
safety glass (TSG). Also prepared
for use with laminated safety
glass (LSG) - separate gaskets
required (see page 35).

8 – 15 mm
15 – 19 mm
19 – 22 mm

Art. No. 42.616
Art. No. 42.618
Art. No. 42.619

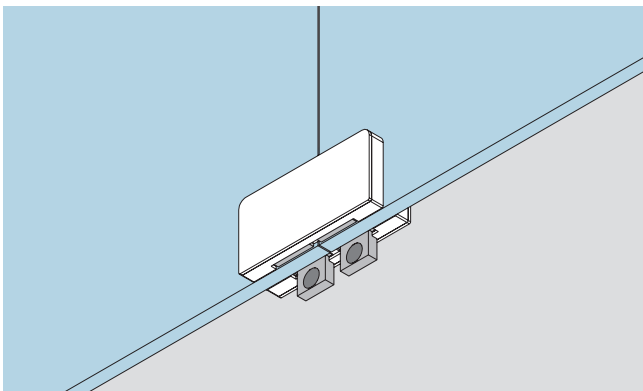


PT 61 Comfort connector

for double and single action doors
with fin fitting on both sides
with 1 stop insert and
2 blanking inserts.
For use with toughened
safety glass (TSG).

8 – 15 mm

Art. No. 38.616

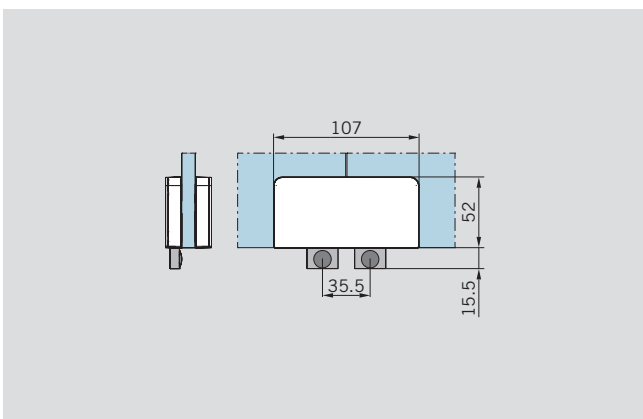


PT 70 Premium overpanel connector

with 2 stop inserts and
2 blanking inserts.
For use with toughened
safety glass (TSG). Also prepared
for use with laminated safety
glass (LSG) - separate gaskets
required (see page 35).

8 – 15 mm
15 – 19 mm
19 – 22 mm

Art. No. 42.700
Art. No. 42.702
Art. No. 42.703



PT 70 Comfort overpanel connector

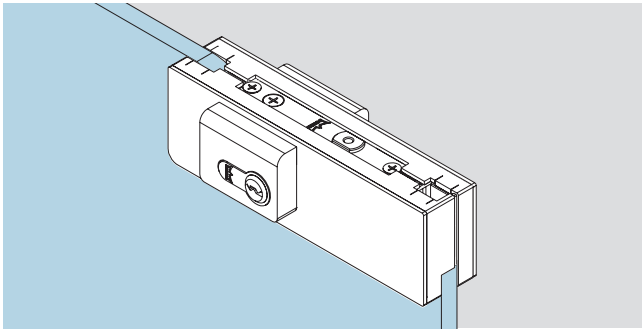
with 2 stop inserts and
2 blanking inserts.
For use with toughened
safety glass (TSG).

8 – 15 mm

Art. No. 38.700

LOCKS AND STRIKE BOXES

Shown with 10 mm glass. When used with other glass thicknesses, the measurements change accordingly.

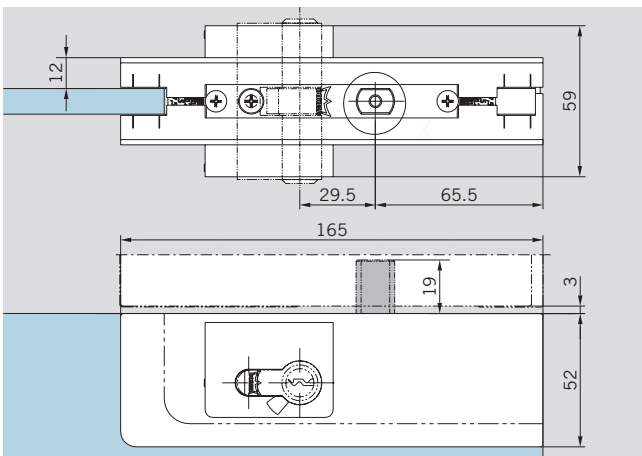


US 10 Premium corner lock

prepared for Euro profile cylinder, single throw, bolt projection 20 mm, with security rosettes on both sides 14 mm thick, for use with toughened safety glass (TSG). Also prepared for use with laminated safety glass (LSG) - separate gaskets required (see page 35).
Lock insert:

- maximum corrosion resistance according to EN 1670, class 4
- with regard to type test according to DIN 18251 / (EN 12209) class 3*

8 – 19 mm **Art. No. 42.510**
19 – 22 mm **Art. No. 42.517**



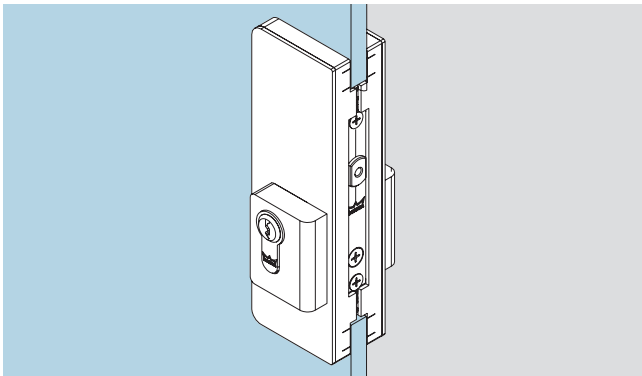
prepared for KABA (Swiss profile round cylinder 22 mm) for use with toughened safety glass (TSG). Also prepared for use with laminated safety glass (LSG) - separate gaskets required (see page 35).

8 – 19 mm **Art. No. 42.513**
19 – 22 mm **Art. No. 42.516**

US 10 Comfort corner lock

for use with toughened safety glass (TSG)

8 – 19 mm **Art. No. 38.510**
Kaba, for use with toughened safety glass (TSG)
8 – 19 mm **Art. No. 38.513**



US 20 Premium center lock

prepared for Euro profile cylinder, single throw, bolt projection 20 mm, with security rosettes 14 mm thick, for use with toughened safety glass (TSG). Also prepared for use with laminated safety glass (LSG) - separate gaskets required (see page 35).
Lock insert:

- maximum corrosion resistance according to EN 1670, class 4
- with regard to type test according to DIN 18251 / (EN 12209) class 3*

8 – 19 mm **Art. No. 42.520**
19 – 22 mm **Art. No. 42.518**

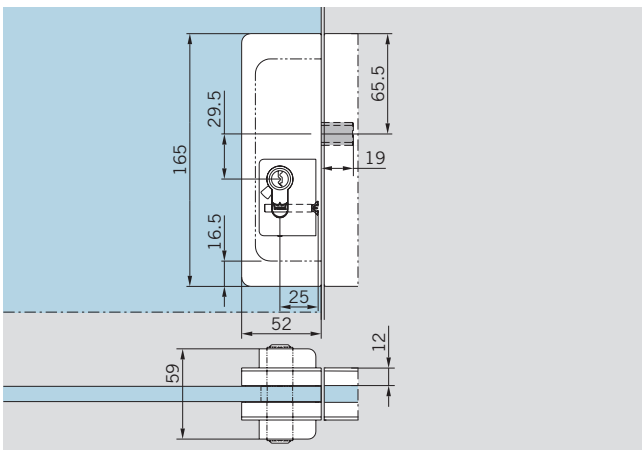
prepared for KABA (Swiss profile round cylinder 22 mm) for use with toughened safety glass (TSG). Also prepared for use with laminated safety glass (LSG) - separate gaskets required (see page 35).

8 – 19 mm **Art. No. 42.523**
19 – 22 mm **Art. No. 42.519**

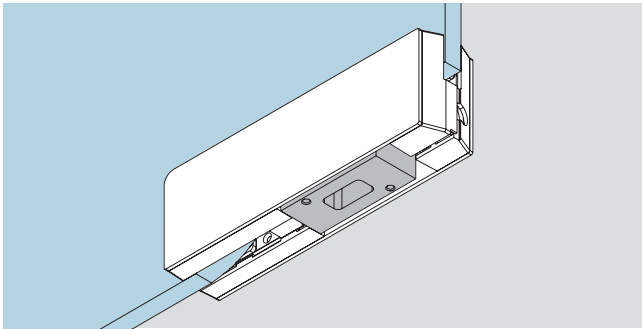
US 20 Comfort center lock

for use with toughened safety glass (TSG)

8 – 19 mm **Art. No. 38.520**
Kaba, for use with toughened safety glass (TSG)
8 – 19 mm **Art. No. 38.523**



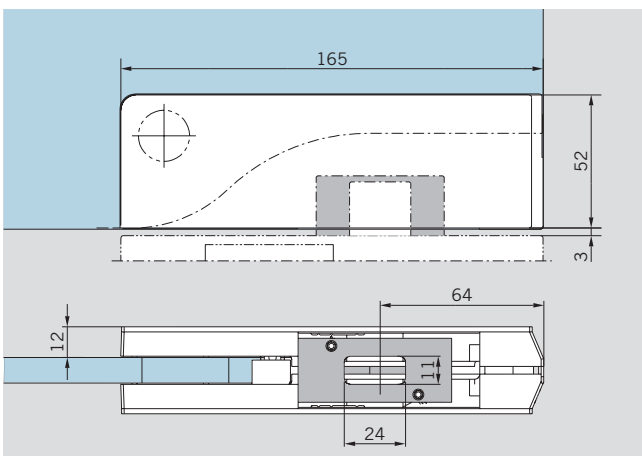
* Extract from DIN 18251, class 3: Type-test with 50,000 locking bolt operating cycles. Furthermore the lock was tested successfully by a neutral testing institute with 100,000 locking bolt operating cycles.



GK 30 Premium
single overpanel strike box
 with tapped hole at side.
 Suitable for corner lock US 10.
 For use with toughened
 safety glass (TSG). Also prepared
 for use with laminated safety
 glass (LSG) - separate gaskets
 required (see page 35).

8 – 15 mm
 15 – 19 mm
 19 – 22 mm

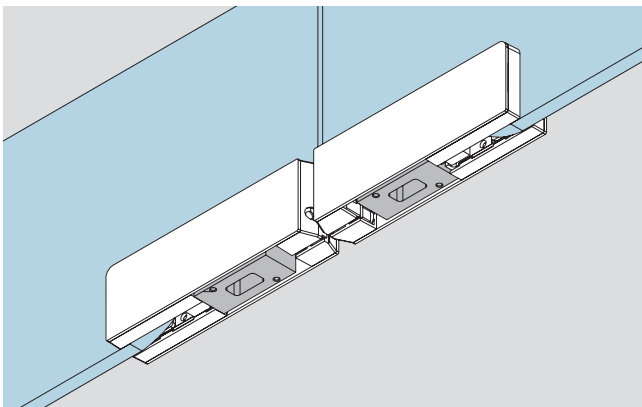
Art. No. 42.530
Art. No. 42.532
Art. No. 42.548



GK 30 Comfort
single overpanel strike box
 with tapped hole at side.
 Suitable for corner lock US 10.
 For use with toughened
 safety glass (TSG).

8 – 12 mm

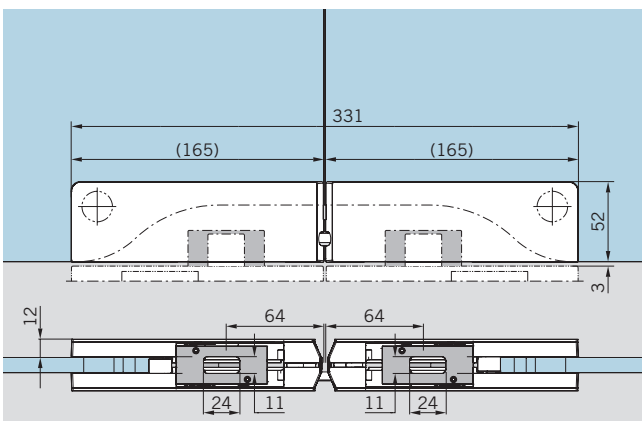
Art. No. 38.530



GK 20 Premium
double overpanel strike box
 Suitable for corner lock US 10
 consisting of two GK 30 with
 threaded connecting bolt.
 For use with toughened
 safety glass (TSG). Also prepared
 for use with laminated safety
 glass (LSG) - separate gaskets
 required (see page 35).

8 – 15 mm
 15 – 19 mm
 19 – 22 mm

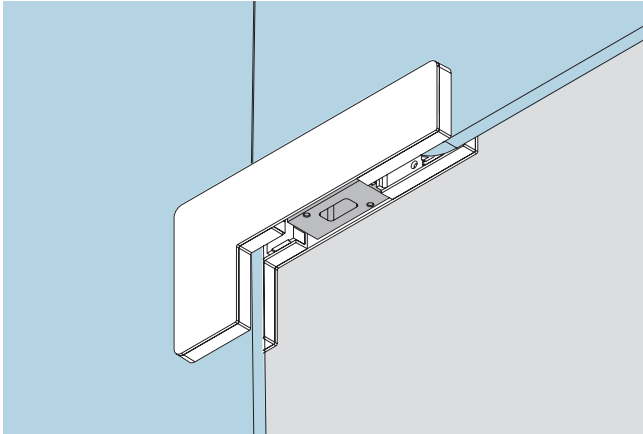
Art. No. 42.526
Art. No. 42.528
Art. No. 42.529



GK 20 Comfort
double overpanel strike box
 Suitable for corner lock US 10
 consisting of two GK 30 with
 threaded connecting bolt.
 For use with toughened
 safety glass (TSG).

8 – 12 mm

Art. No. 38.526



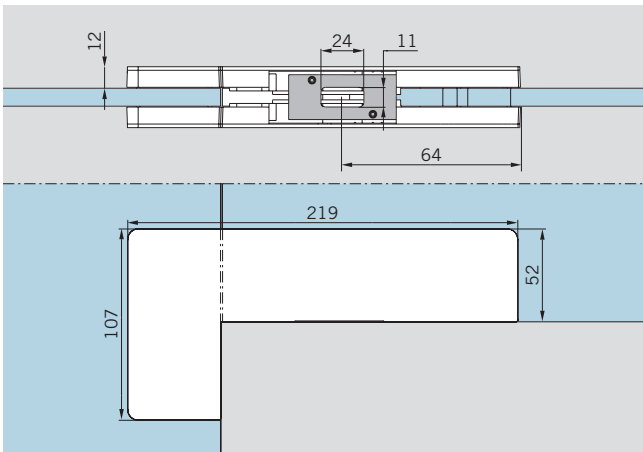
GK 40 Premium

corner overpanel strike box

Suitable for corner lock US 10.
For use with toughened safety glass (TSG). Also prepared for use with laminated safety glass (LSG) - separate gaskets required (see page 35).

- 8 – 15 mm
- 15 – 19 mm
- 19 – 22 mm

- Art. No. 42.540**
- Art. No. 42.542**
- Art. No. 42.547**



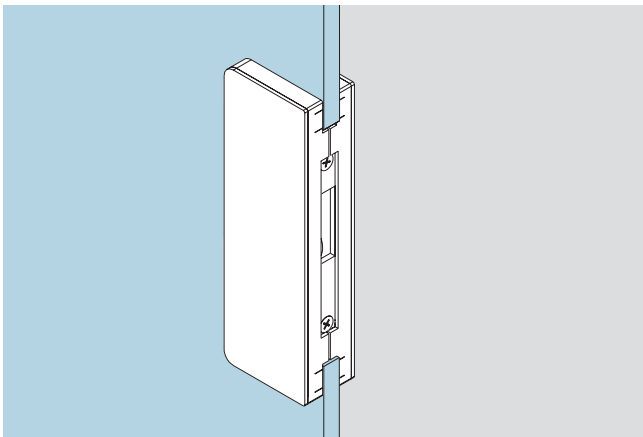
GK 40 Premium

corner overpanel strike box

Suitable for corner lock US 10.
For use with toughened safety glass (TSG).

- 8 – 12 mm

- Art. No. 38.540**

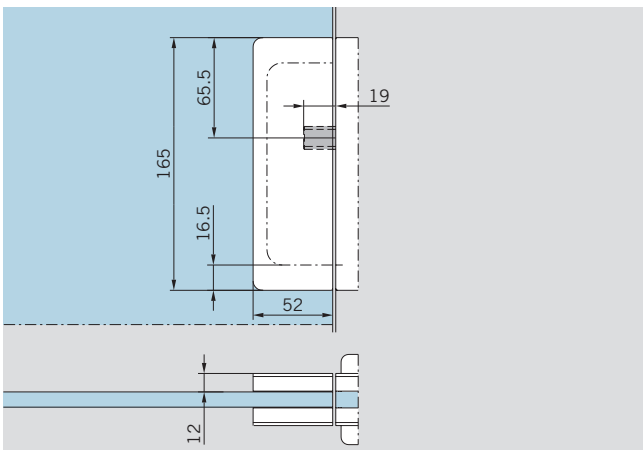


GK 50 Premium strike box

Suitable for center lock US 20.
For use with toughened safety glass (TSG). Also prepared for use with laminated safety glass (LSG) - separate gaskets required (see page 35).

- 8 – 19 mm
- 19 – 22 mm

- Art. No. 42.550**
- Art. No. 42.553**



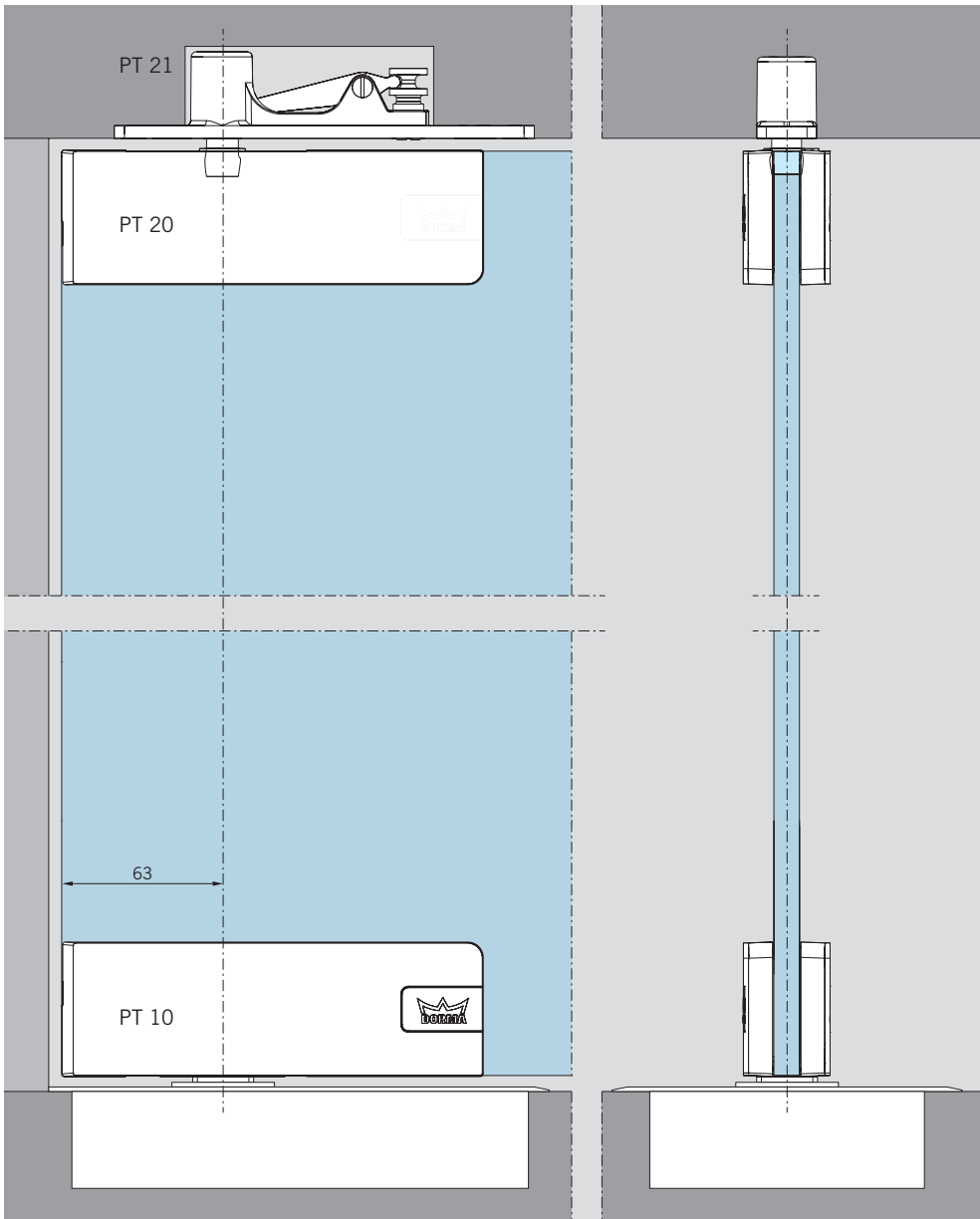
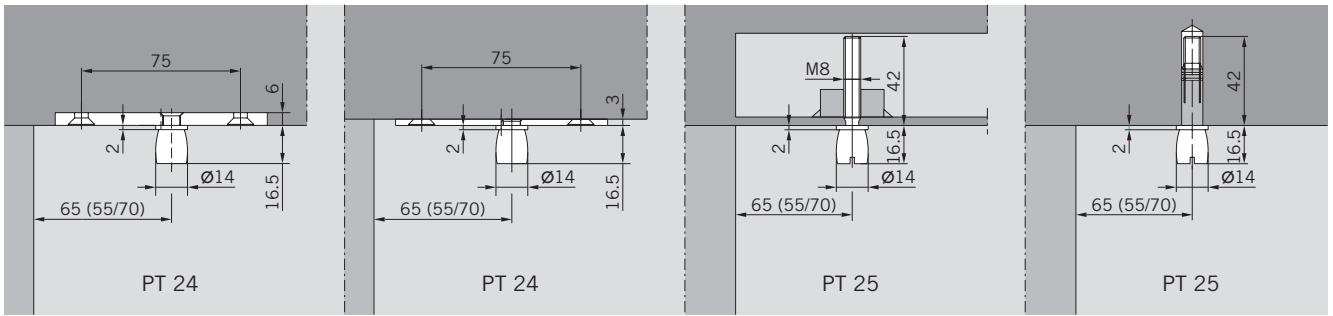
GK 50 Comfort strike box

Suitable for center lock US 20.
For use with toughened safety glass (TSG).

- 8 – 19 mm

- Art. No. 38.550**

CONSTRUCTION DETAILS



Fixing of top pivots and top centers for PT 20 (see page 33).

Fixing of floor springs, pivot bearings for PT 10 (see page 32).



GLASS PREPARATION – OVERVIEW

Easy to retrofit – a patch fitting that will match the most common glass cut-outs worldwide.

MUNDUS can also be retrofitted to existing installations by simply replacing the patch fittings.

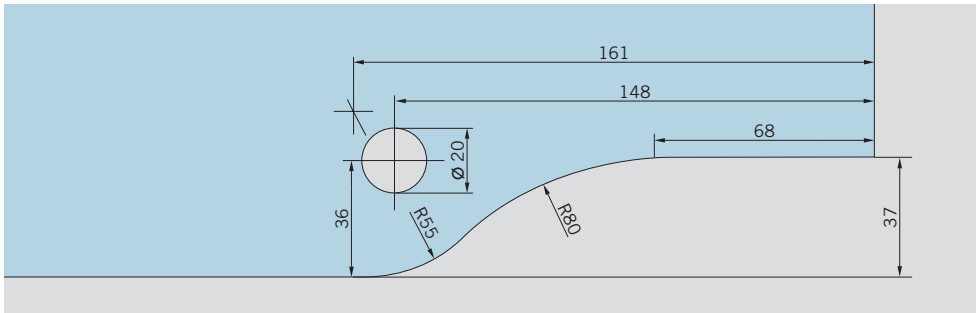
Through its variability it is able to cover the most common glass

cut-outs used or required around the world, making it particularly suitable as a retrofit solution.

Replacement can be carried out quickly and hassle-free.

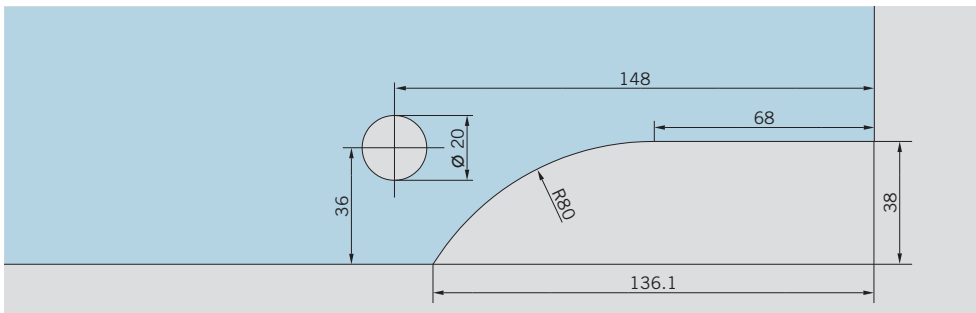
Simply take off the door, remove the old patch fittings, clean the glass, fit the new patch fittings and hang the door back in place.

Standard (analog to UNIVERSAL)



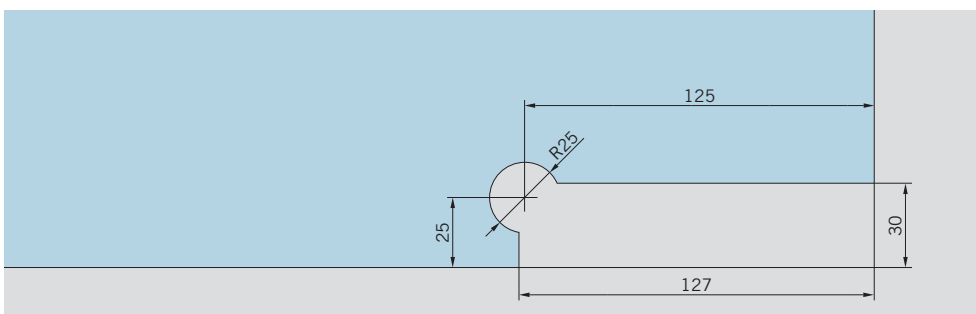
max. 200 kg

A (e.g. in Asia)



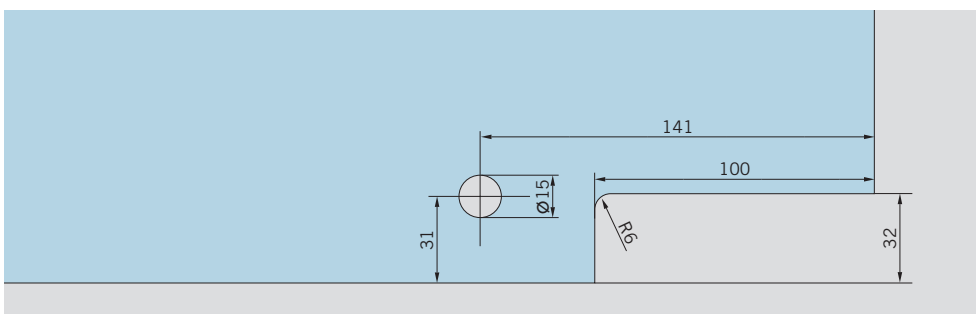
max. 200 kg

B (e.g. in South America)



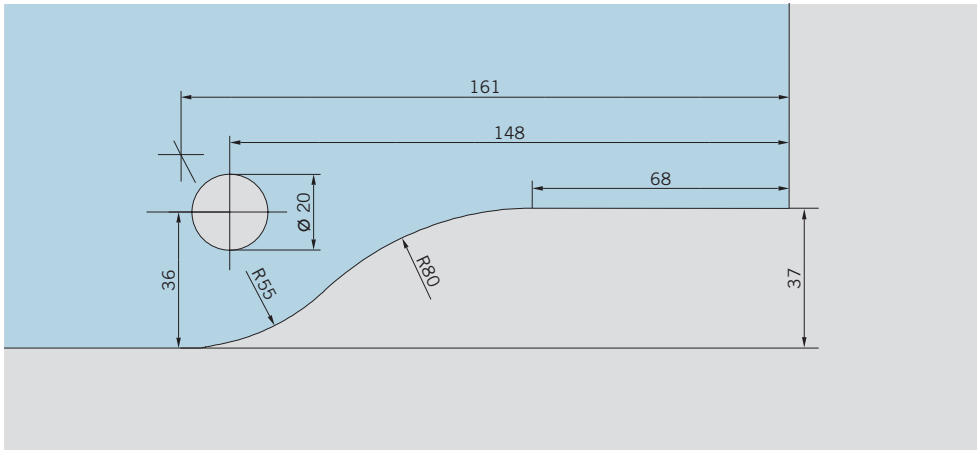
max. 150 kg

C (e.g. Southern Europe)



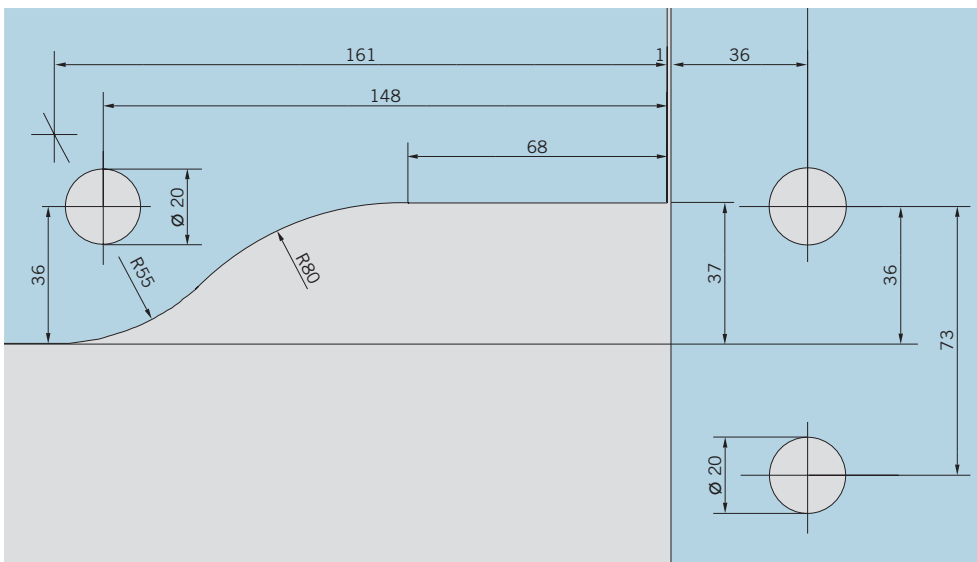
max. 150 kg

GLASS PREPARATION PATCH FITTINGS



PT 10, PT 20, PT 22, PT 30

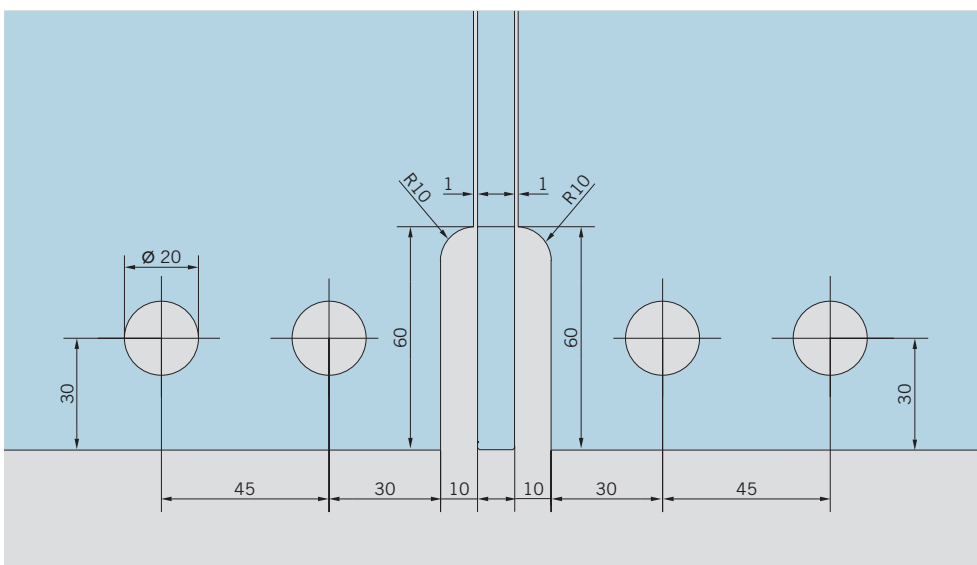
Top and bottom patches,
overpanel patch



PT 40*

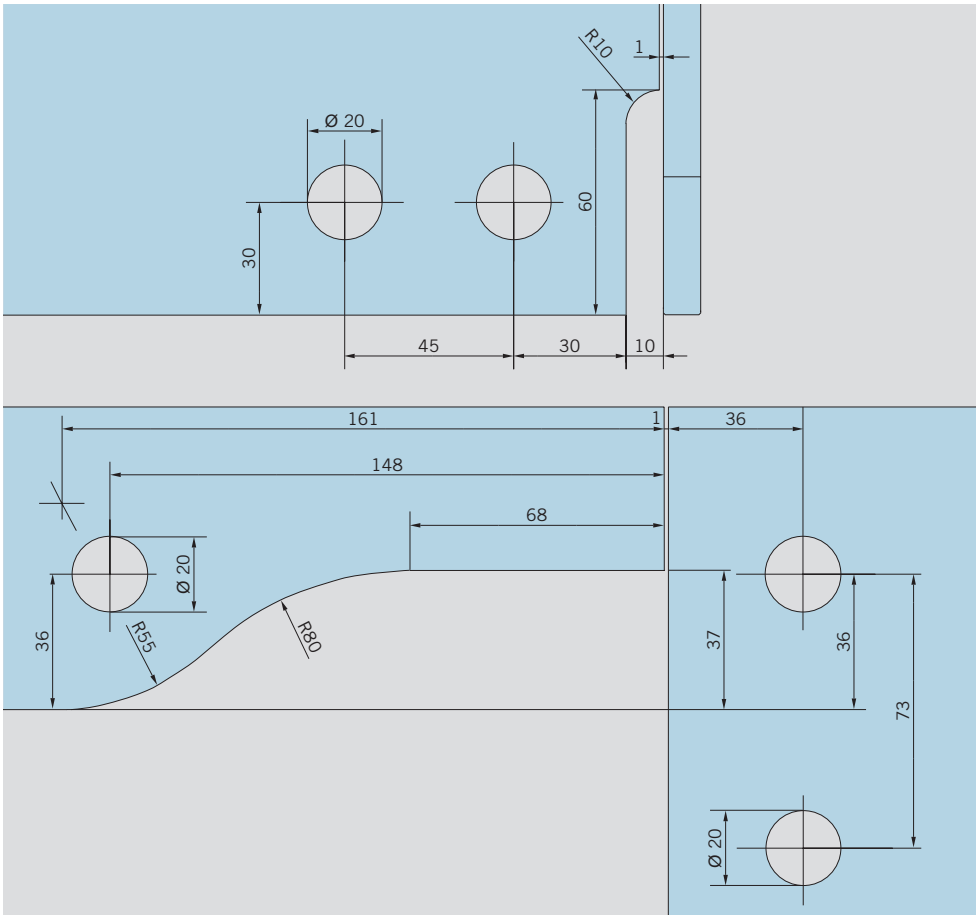
Patch for overpanel and
sidelight

* This glass preparation can be also
combined with previously shown
glass cutouts of type A, B or C.



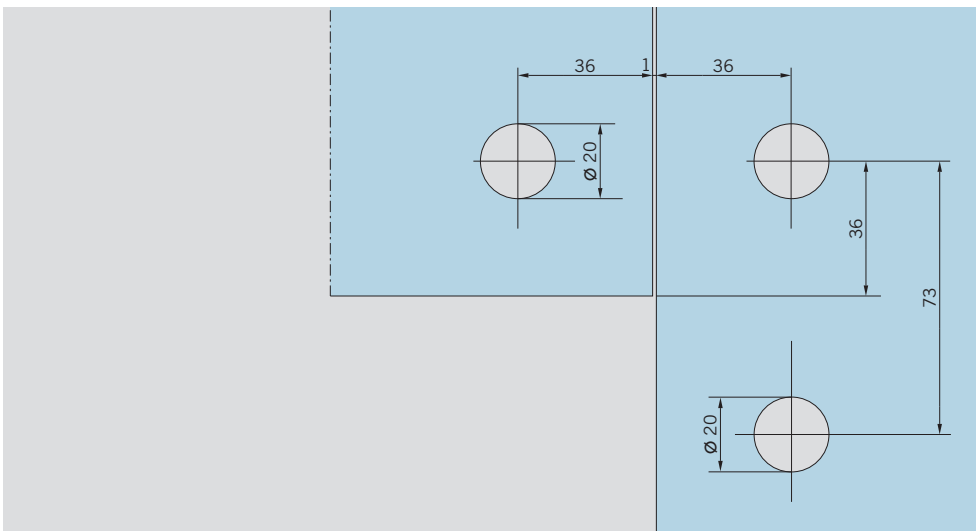
PT 41

Patch for overpanel and
sidelight with fin fitting on
both sides



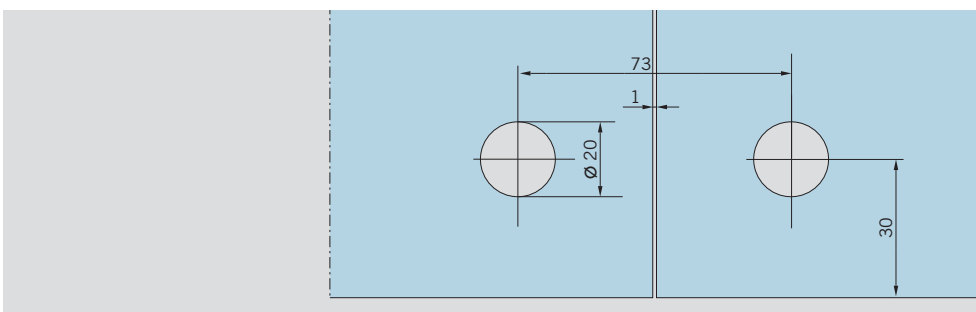
PT 41

Patch for overpanel and sidelight with fin fitting inside



PT 60

Connectors for overpanels and sidelights

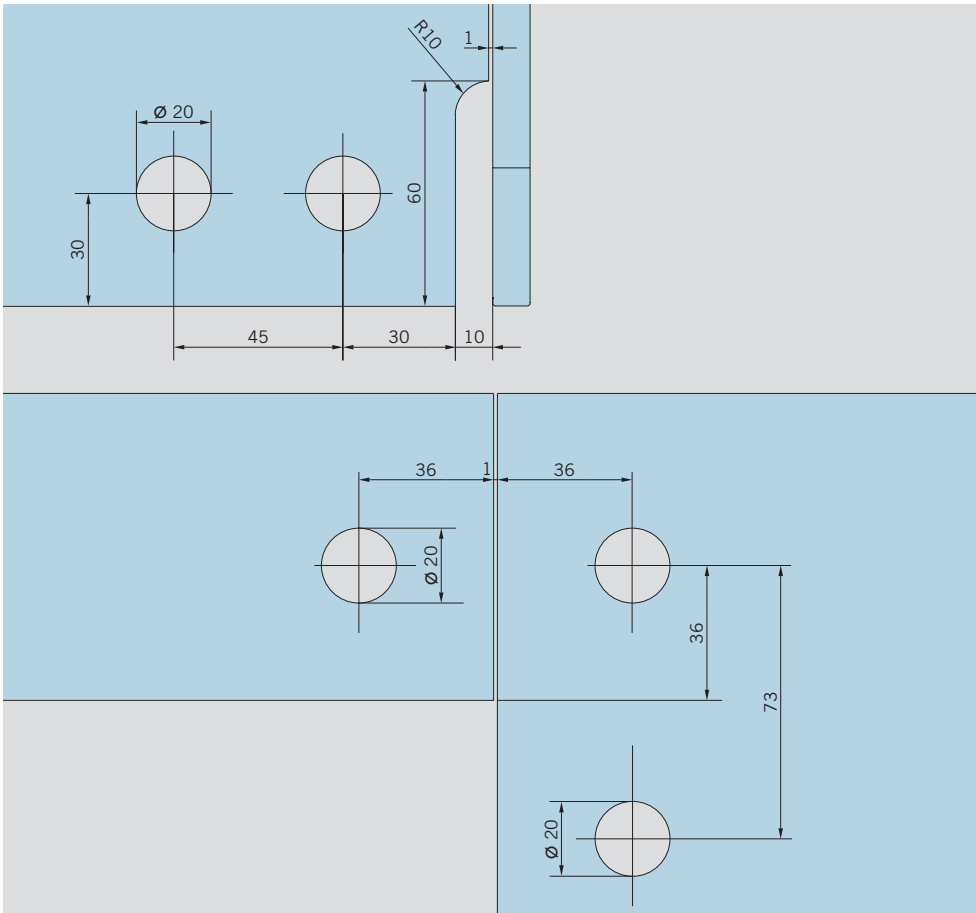


PT 70

Overpanel connector

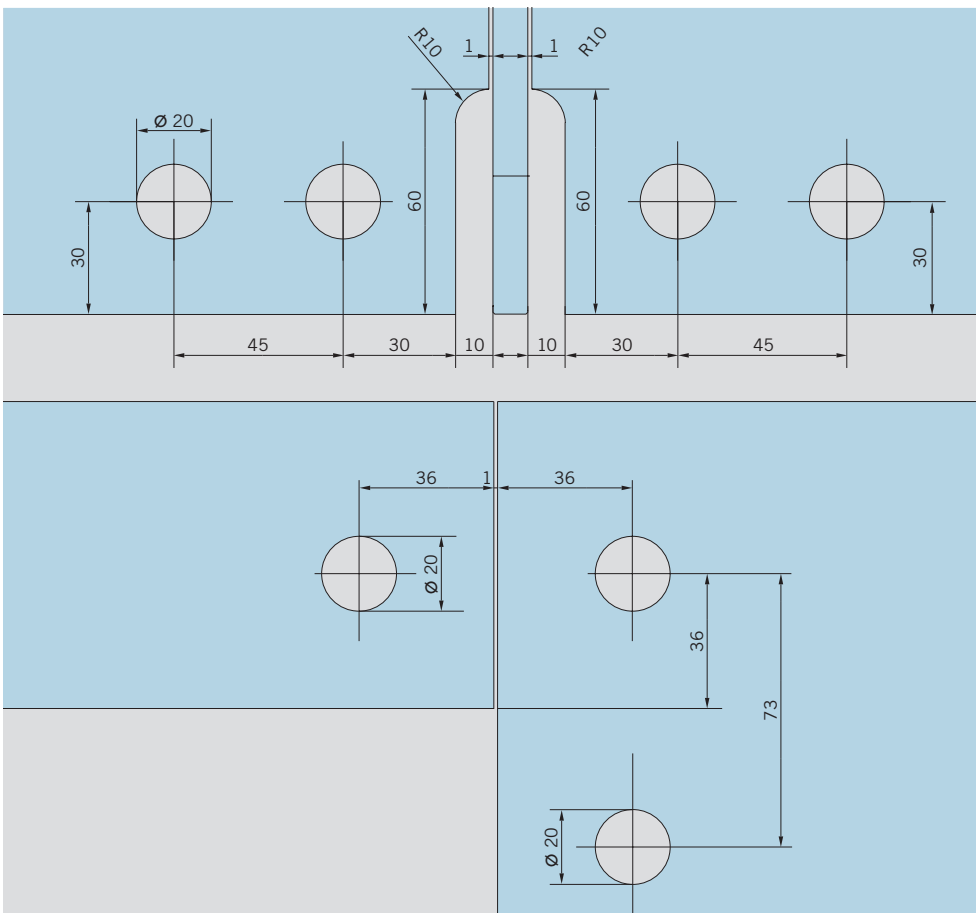
PT 61

Single overpanel connector
with fin fitting inside

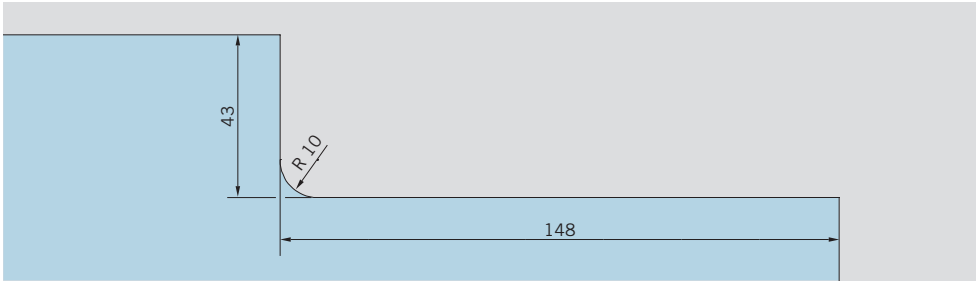


PT 61

Double overpanel connectors
with fin fitting on both sides

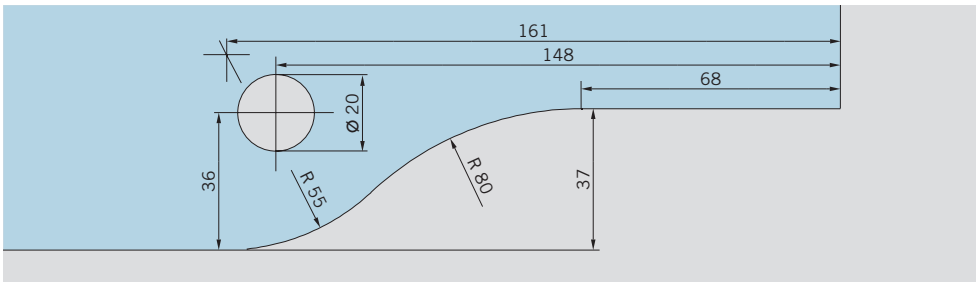


GLASS PREPARATION LOCKS AND STRIKE BOXES



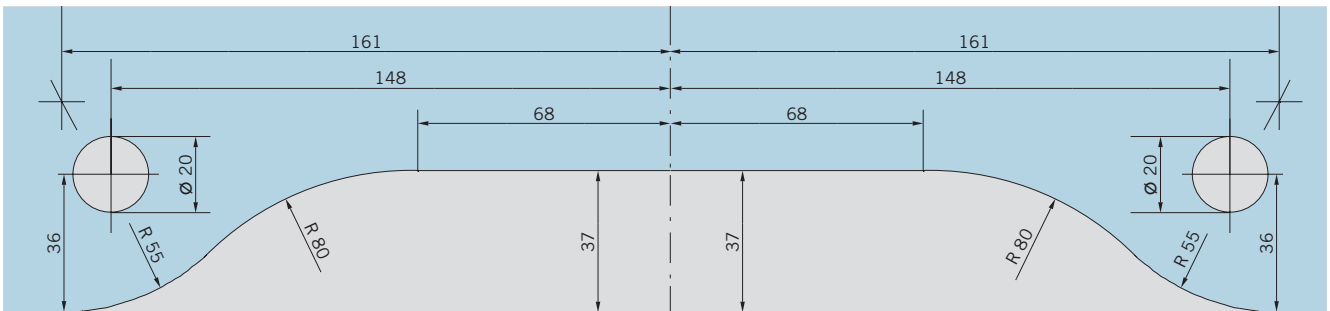
US 10

Corner locks



GK 30 (PT 30)*

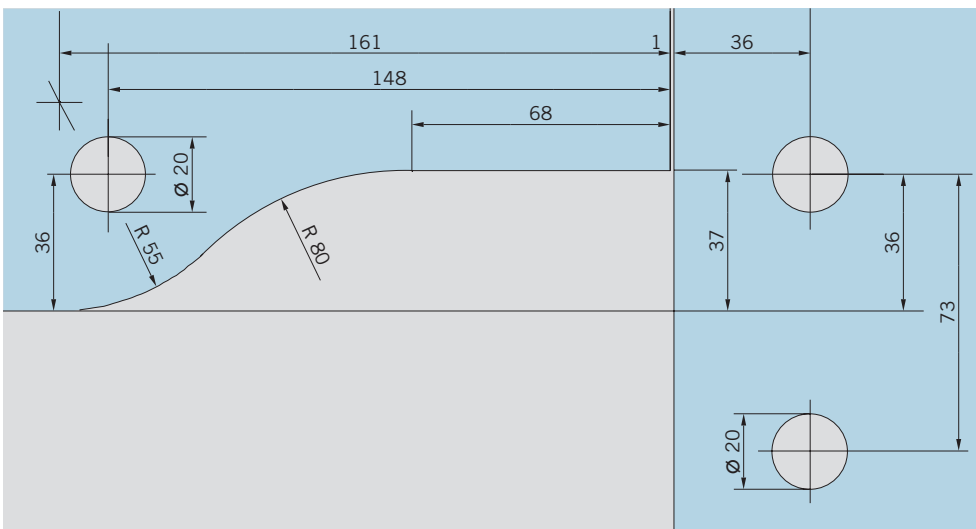
Single overpanel strike box



GK 20 *

Double overpanel strike box
Art. No. 03.245, 03.247

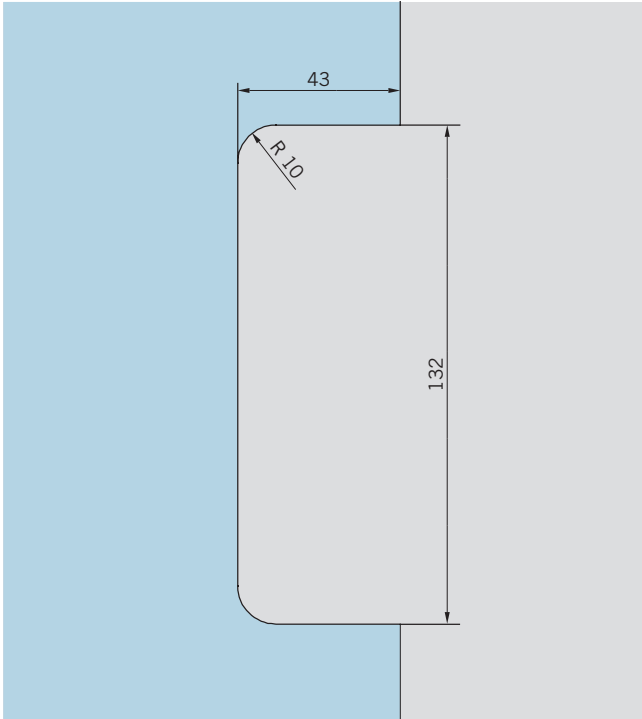
Scale 1 : 2



GK 40 (PT 40) *

Corner overpanel strike box

* This glass preparation can be also combined with previously shown glass cutouts of type A, B or C.



US 20, GK 50

Center lock and strike box to
suit center lock

ACCESSORIES

**Floor bearings, Lock keeper
plate, Floor sockets**
32

Top bearing, pivots
33

Wall connection and cylinders
34

LSG Solution
35

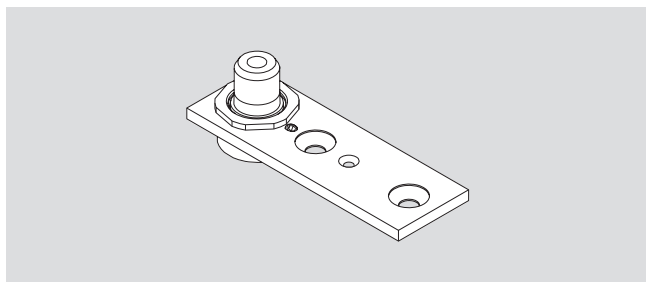
Handle bars
36 – 37

**Wall connecting profile system,
U-profile**
38 – 46

Safety-related information
47

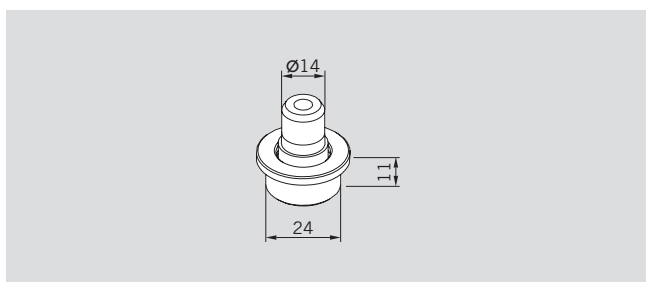


FLOOR BEARING, LOCK KEEPER PLATE, FLOOR SOCKET



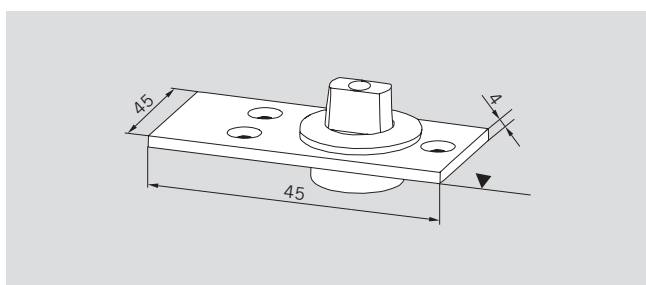
Floor pivot bearing
with round pivot \varnothing 14 mm
and cover plate;
height adjustable by 5 mm
max. door weight 100 kg

Art. No. 01.106



Floor pivot bearing
with round pivot \varnothing 14 mm
and pin 24 mm \varnothing
max. door weight 100 kg

Art. No. 01.107

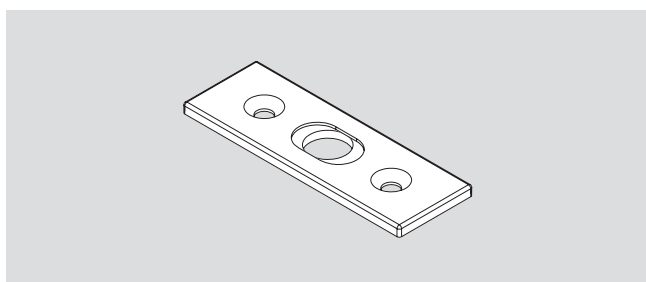


Floor bearing
with DORMA profile spindle
(longer spindle on request),
max. door weight 200 kg

Art. No. 04.602

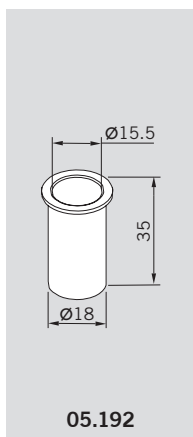
Stainless steel,
max. door weight 200 kg

Art. No. 04.603

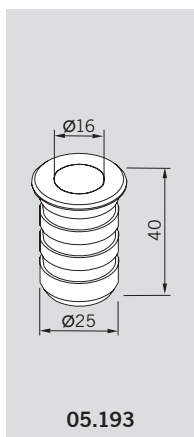


Lock keeper plate,
stainless steel, two parts,
adjustable \pm 5 mm

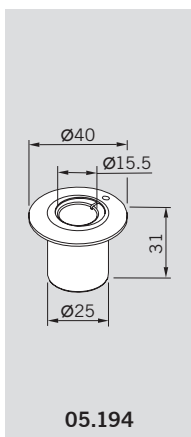
Art. No. 05.190



05.192



05.193



05.194

Floor socket,
zinc coated brass for lock bolt

Art. No. 05.192

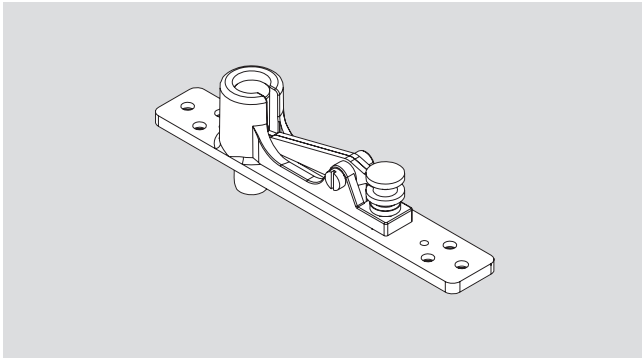
Floor socket, aluminum,
with spring and plastic stopper,
dirt protection

Art. No. 05.193

Eccentric socket, eccentric,
zinc coated brass, with
adjustable plastic socket insert

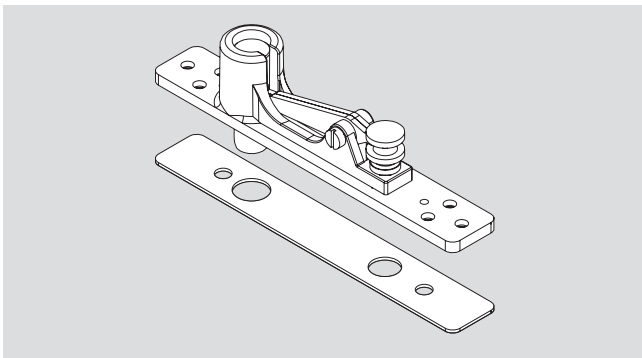
Art. No. 05.194

TOP BEARING, PIVOTS



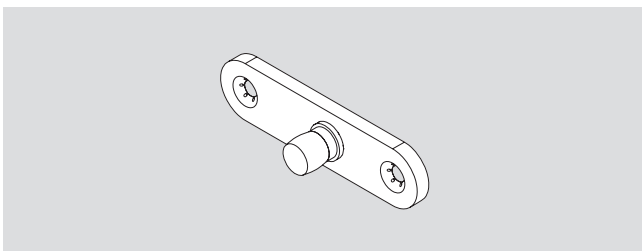
MUNDUS PT 21 frame portion
with rotatable pivot
14 mm Ø

Art. No. 38.210



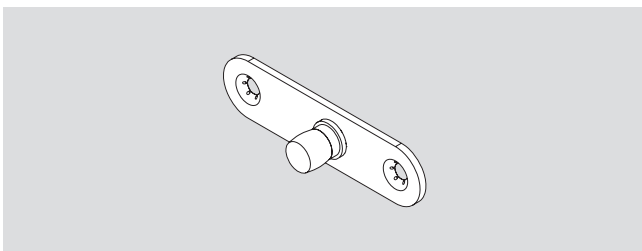
MUNDUS PT 21 frame portion
with rotatable pivot
14 mm Ø and cover plate

Art. No. 38.211



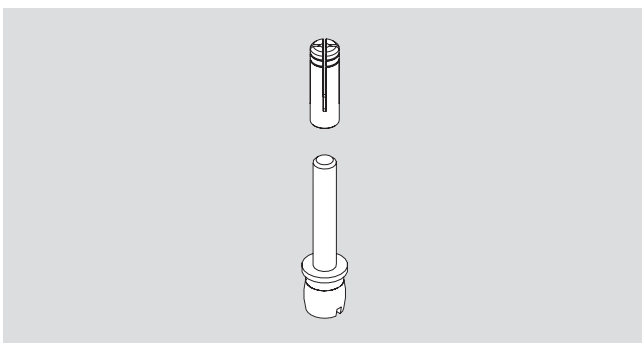
MUNDUS PT 24 pivot
14 mm Ø,
with fixing plate 6 mm,
to let into the brickwork

Art. No. 38.240



MUNDUS PT 24 pivot
14 mm Ø,
with fixing plate 3 mm,
to screw onto the brickwork

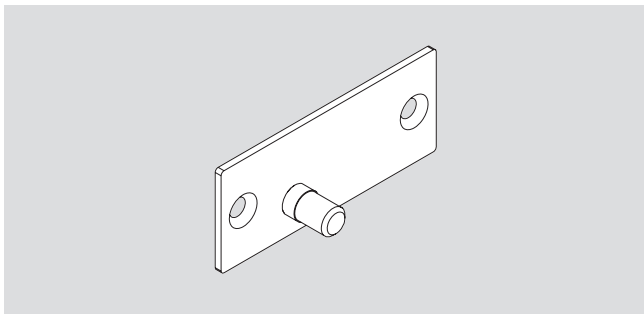
Art. No. 38.241



MUNDUS PT 25 pivot
14 mm Ø
with plug

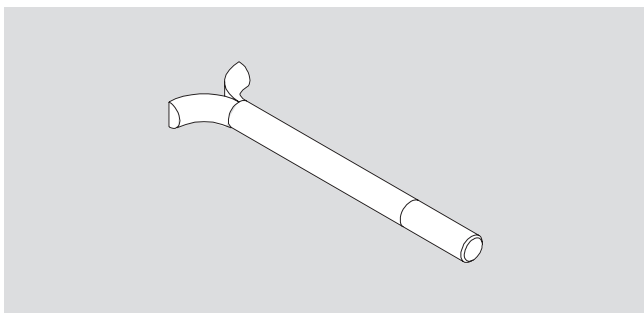
Art. No. 38.250

WALL CONNECTION AND CYLINDERS



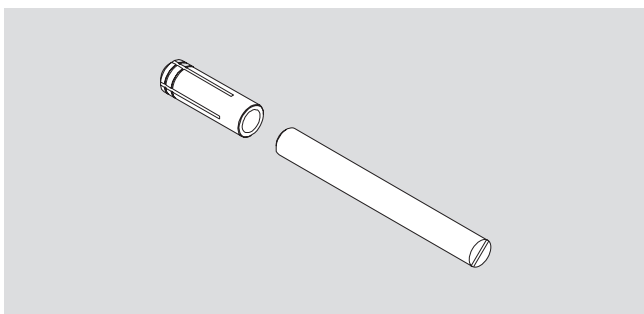
Fixing plate
for PT 30 and GK 30

Art. No. 38.313



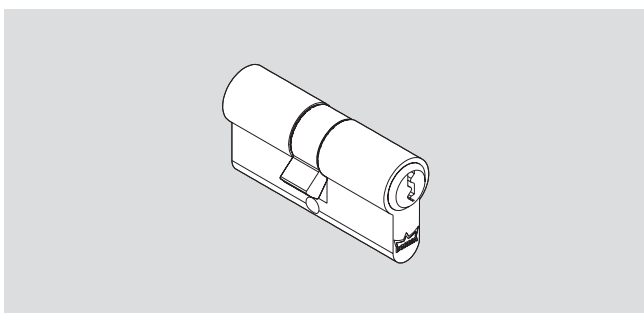
Wall anchor
with thread M 8 for overpanel
patch

Art. No. 01.133



Threaded rod
M 8 with plug for overpanel
patch

Art. No. 01.134

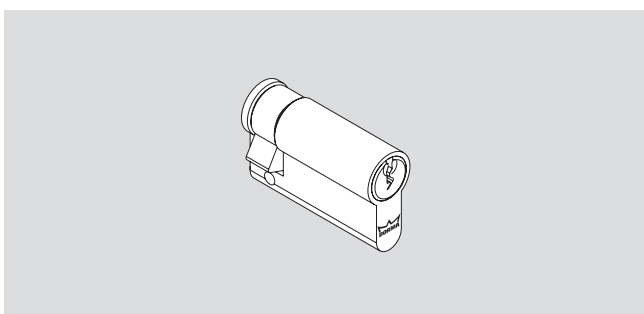


Profile cylinder
length 61 mm, differently
keyed, with DORMA logo

Art. No. 05.001

Profile cylinder
length 61 mm, equally keyed,
with DORMA logo

Art. No. 05.002



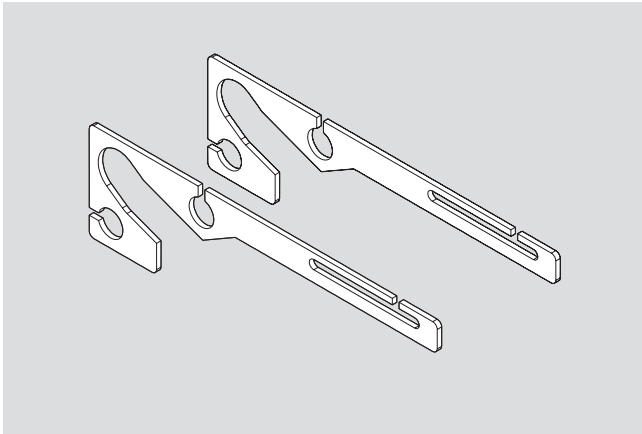
Half-profile cylinder
length 31 mm, differently
keyed, with DORMA logo

Art. No. 05.003

Half-profile cylinder
length 31 mm, equally keyed,
with DORMA logo

Art. No. 05.004

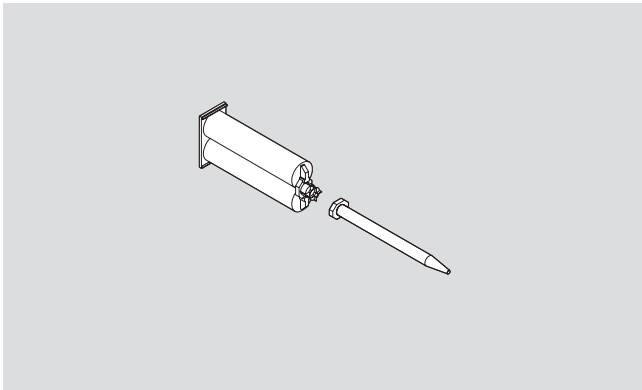
LSG SOLUTION



MUNDUS Premium

Gasket set

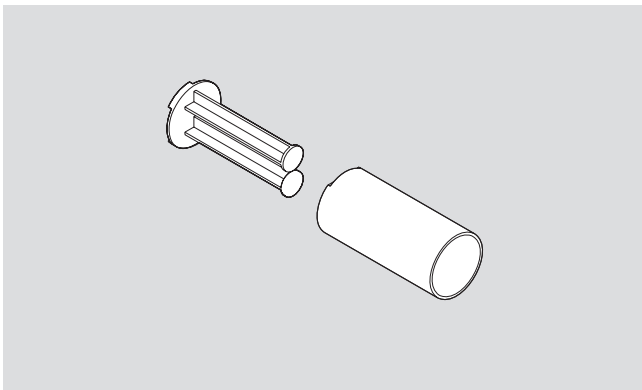
for PT 10/PT 20/PT 22/PT 30/ GK 30	Art. No. 42.951
for PT 40/GK 40	Art. No. 42.952
for PT 60	Art. No. 42.953
for PT 70	Art. No. 42.954
for US 10/US 20/GK 50	Art. No. 42.955
for PT 41 (fin fitting on one side)	Art. No. 42.956
for PT 41 (fin fittings on both sides)	Art. No. 42.957
for PT 61 (fin fitting on one side)	Art. No. 42.958
for PT 61 (fin fitting on both sides)	Art. No. 42.959
for GK 20	Art. No. 42.960



MUNDUS Premium

Adhesive set for LSG,
sufficient quantity to bond
up to four fittings

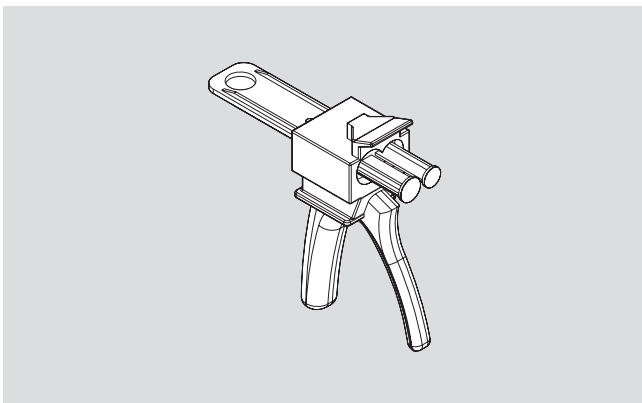
Art. No. 42.950



MUNDUS Premium

Automix adapter,
for European dispensing gun

Art. No. 07.628

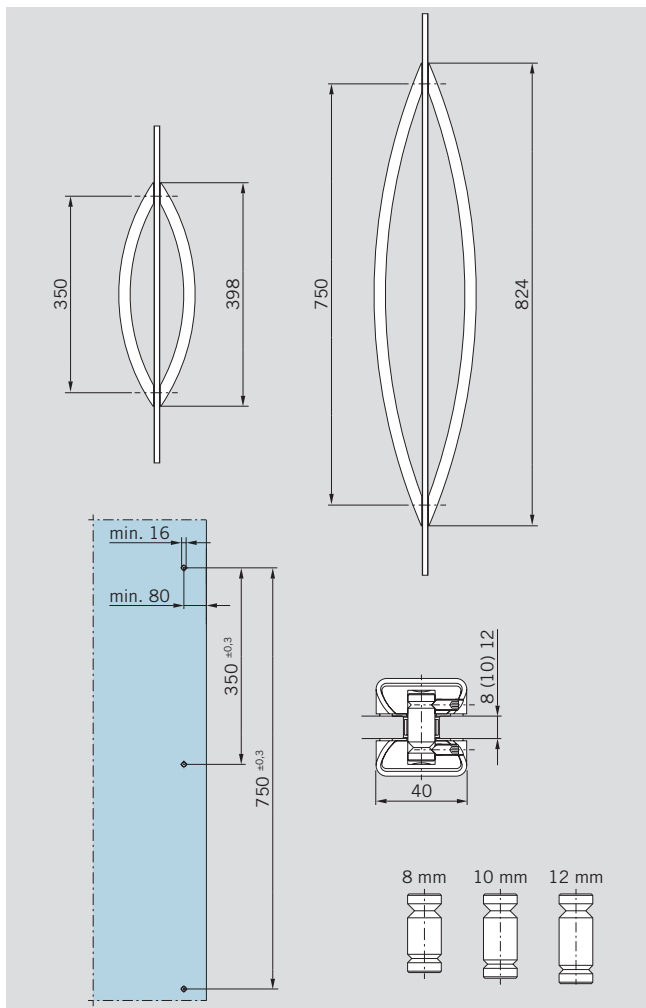


Automix dispensing gun

for LSG bonding

Art. No. 07.629

HANDLE BARS

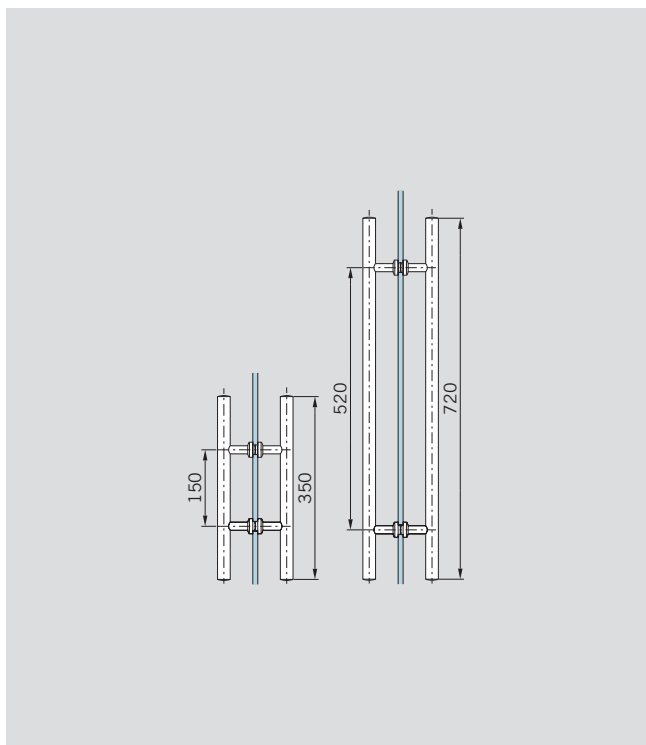


ARCOS handle bar
 350 mm
 2 hole fixing for 8, 10 and
 12 mm glass thickness

Art. No. 26.500

ARCOS handle bar
 750 mm
 2 hole fixing for 8, 10 and
 12 mm glass thickness

Art. No. 26.510



Pair of handle bars
 length 350 mm
 2 hole fixing for 8, 10 and
 12 mm glass thickness

satin stainless steel

Art. No. 21.267

aluminum

Art. No. 03.400

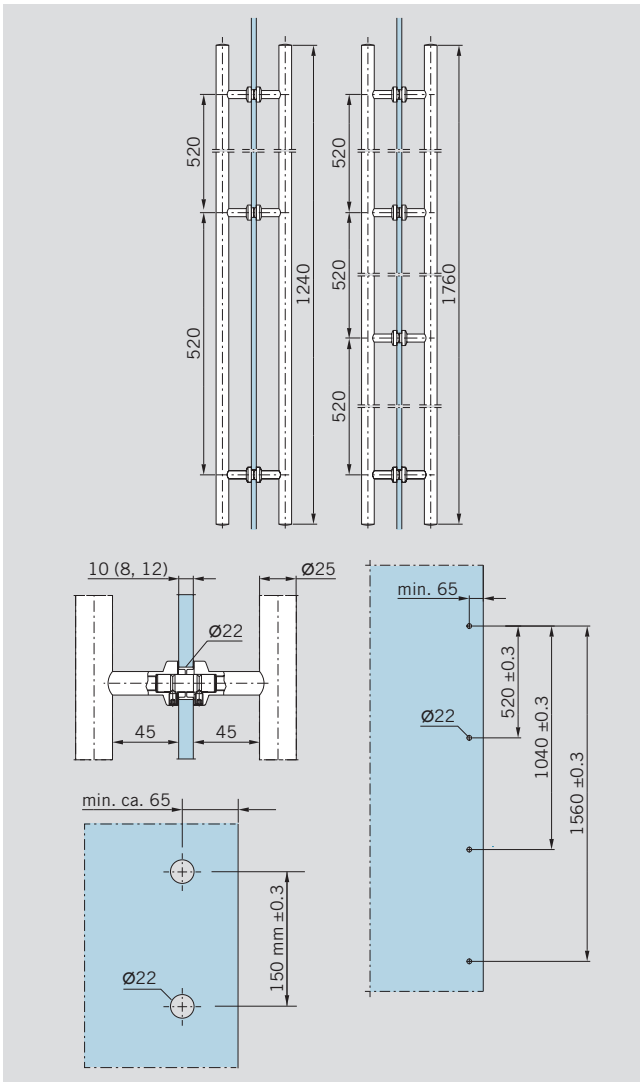
Pair of handle bars
 length 720 mm,
 2 hole fixing for 8, 10 and
 12 mm glass thickness

satin stainless steel

Art. No. 21.270

aluminum

Art. No. 03.402



Pair of handle bars
 length 1240 mm
 3 hole fixing for 8, 10 and
 12 mm glass thickness

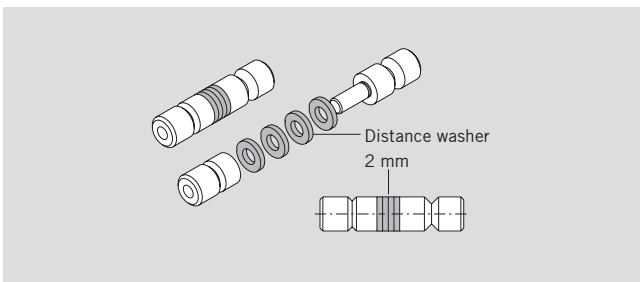
satin stainless steel

Art. No. 21.273

Pair of handle bars
 length 1760 mm
 4 hole fixing for 8, 10 and
 12 mm glass thickness

satin stainless steel

Art. No. 21.276

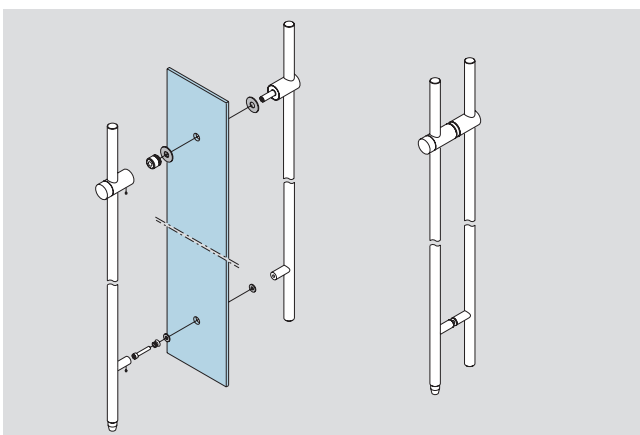


Conversion set 1 for glass doors,
pair of pull handles satin stainless steel / knob back-to-back
 door thicknesses 13.5–21.5 mm

Art. No. 21.285

door thickness 13.5 mm:
 door thickness 15 mm:
 door thickness 17.5 mm:
 door thickness 19 mm:

without distance washer
 with 1 distance washer
 with 2 distance washer
 with 3 distance washer



Lockable back to back handle bar
 for 6 – 16 mm glass,
 1,225 mm, with 2 fixings,
 complete with closing device
 and cylinder

Art. No. 21.279

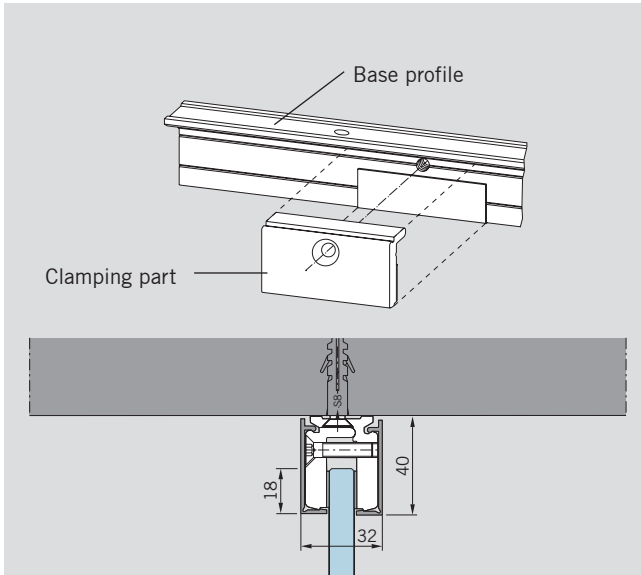
WALL CONNECTING PROFILE SYSTEM

Consisting of: base profile, with bore holes (every 300 mm), incl. clamping parts with screws and gasket strips.

Application:
e.g. all around frame system for toughened glass assemblies, with fittings on sides and ceiling.

The **safety type** prevents free hanging glass elements from falling down, by fixing the clamping fitting through glass holes.

15 kg load for each clamping part, torque for fixing screws 15 Nm (M 6 = Allan key size 4).



Base profile

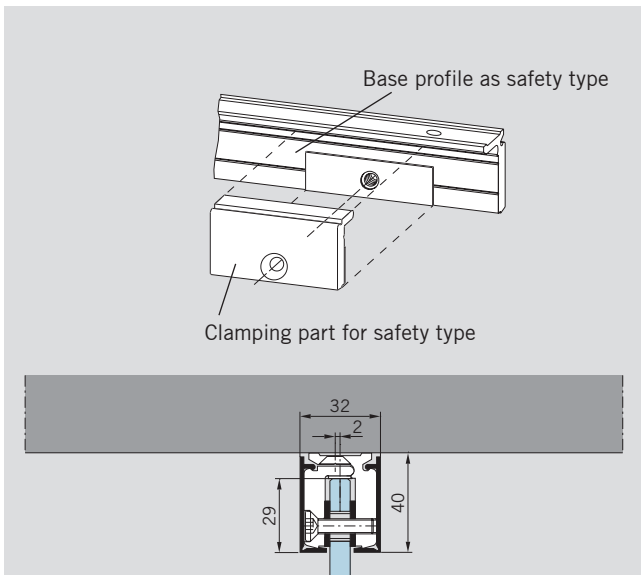
6,000 mm stock length

- for 8 mm glass thickness: **Art. No. 07.042**
- for 10 mm glass thickness: **Art. No. 07.001**
- for 12 mm glass thickness: **Art. No. 07.002**
- for 12.7 mm glass thickness: **Art. No. 07.045**
- for 13.5 mm glass thickness: **Art. No. 07.046**
- for 15 mm glass thickness: **Art. No. 07.047**
- for 17 mm glass thickness: **Art. No. 07.048**
- for 19 mm glass thickness: **Art. No. 07.049**

as safety type

- for 8 mm glass thickness: **Art. No. 07.060**
- for 10 mm glass thickness: **Art. No. 07.061**

Safety type



Base profile

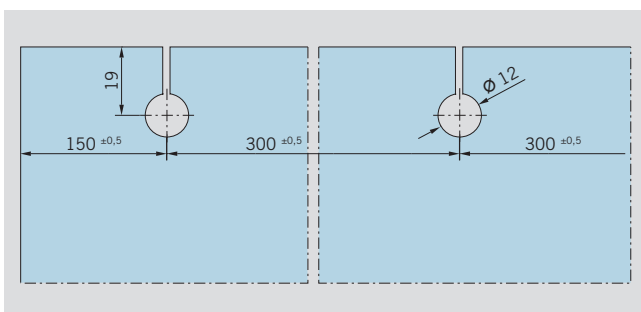
fixed length

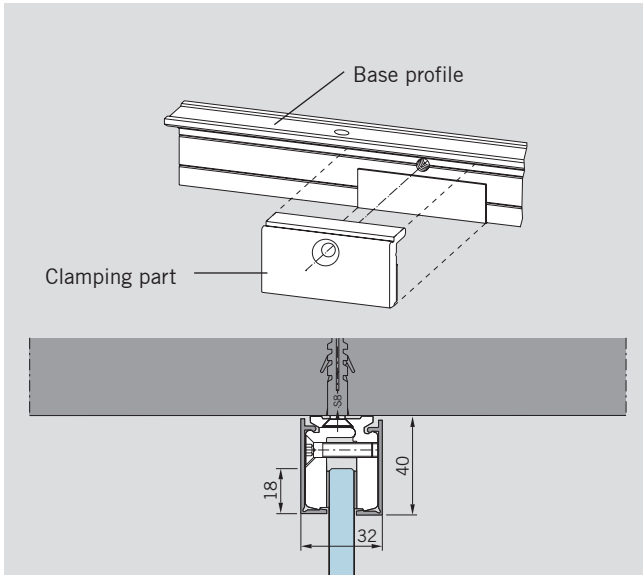
- for 8 mm glass thickness: **Art. No. 07.050**
- for 10 mm glass thickness: **Art. No. 07.051**
- for 12 mm glass thickness: **Art. No. 07.052**
- for 12.7 mm glass thickness: **Art. No. 07.055**
- for 13.5 mm glass thickness: **Art. No. 07.056**
- for 15 mm glass thickness: **Art. No. 07.057**
- for 17 mm glass thickness: **Art. No. 07.058**
- for 19 mm glass thickness: **Art. No. 07.059**

as safety type

- for 8 mm glass thickness: **Art. No. 07.066**
- for 10 mm glass thickness: **Art. No. 07.067**

Glass preparation for safety type





Clamping part

60 mm long
with screw and gasket
for 8 mm glass thickness:
for 10 mm glass thickness:
for 12 mm glass thickness:

Art. No. 07.043

Art. No. 07.004

Art. No. 07.005

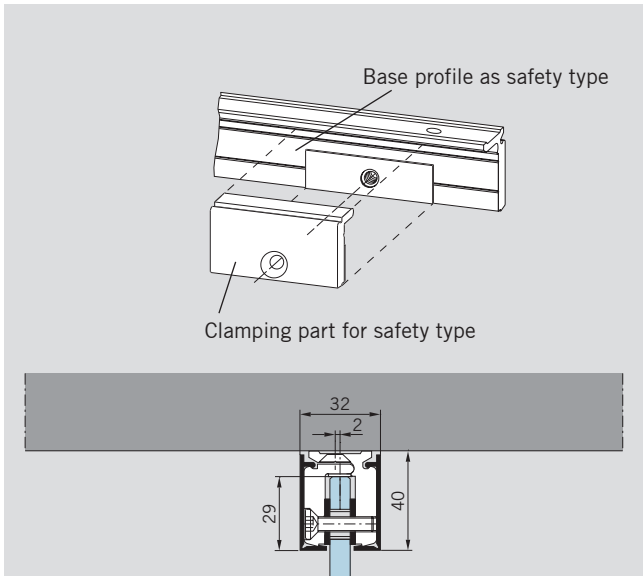
as safety type

for 8 mm glass thickness:
for 10 mm glass thickness:

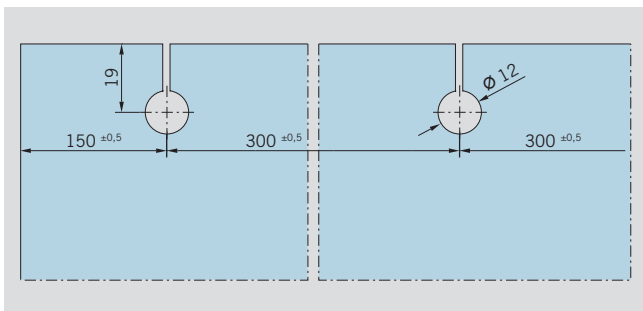
Art. No. 07.063

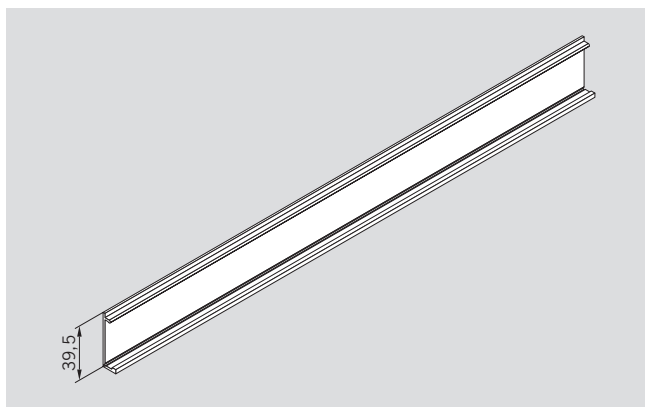
Art. No. 07.064

Safety type



Glass preparation for safety type

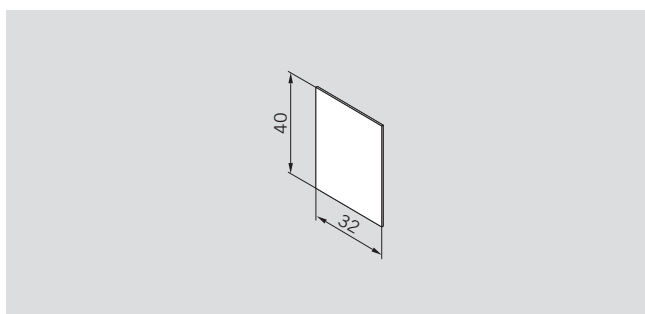




Clip on cover profile
brass, stainless steel, satin
and stainless steel polished
door available

6,000 mm stock length
fixed length

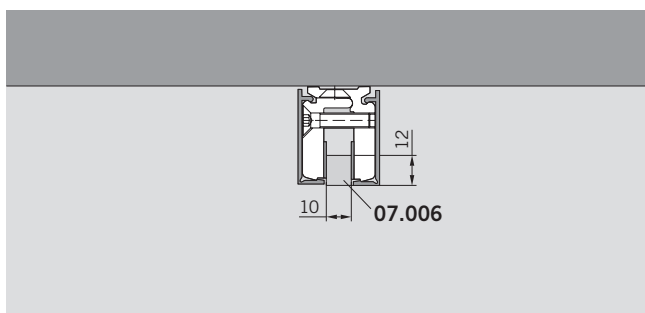
Art. No. 07.003
Art. No. 07.053



End cap

for 8 and 10 mm glass
thicknesses
for 12 – 13.5 mm glass
thicknesses
for 15 – 19 mm glass
thicknesses

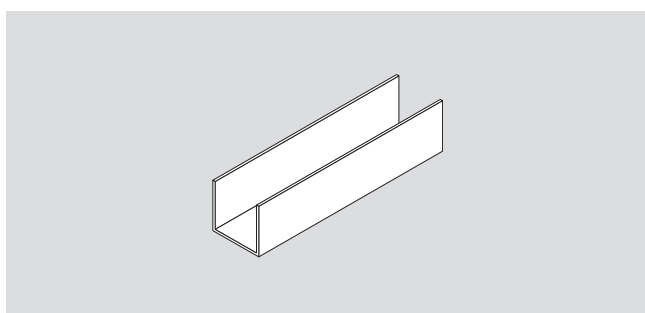
Art. No. 07.007
Art. No. 07.044
Art. No. 07.065



Filler block, 10 x 12 mm

6,000 mm stock length
fixed length

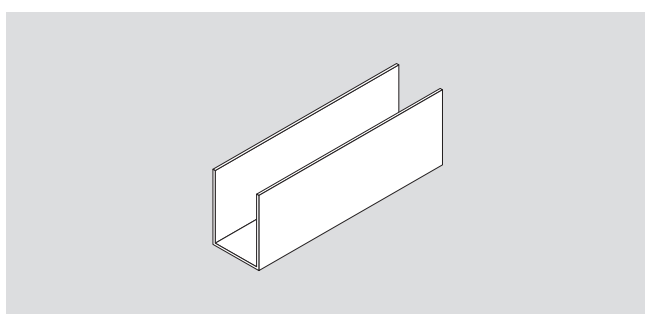
Art. No. 07.006
Art. No. 07.054



U-profile
20 x 20 x 20 x 2 mm

6,000 mm stock length
fixed length

Art. No. 07.092
Art. No. 07.093



U-profile
30 x 20 x 30 x 2 mm

6,000 mm stock length
fixed length

Art. No. 07.097
Art. No. 07.096

WALL CONNECTING FRAME SYSTEM MR 22 AND MR 28

Comprising a frame profile (series-drilled), a clamping profile and two contact rubber extrusions (PVC, transparent).

These decorative and elegant frame solutions are suitable for both indoor and outdoor applications and are characterized by their remarkably easy installation.

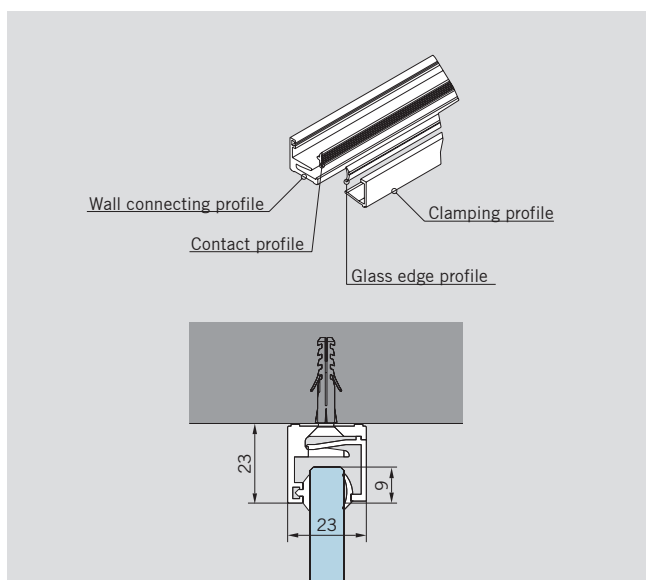
The viewface width in the case of the MR 22 is a mere 22 mm and in the case of the MR 28 it is just 28 mm. Suitable for glass thicknesses of 8 and 10 mm. No load transfer by the profiles.

Can be readily removed and re-installed elsewhere.

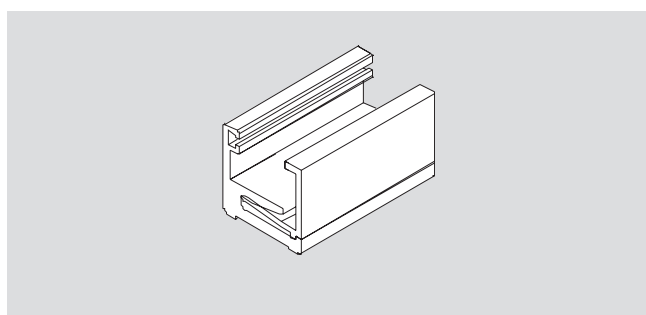
The MR 28 features an additional screw-fixing channel for connecting angle brackets and enables combination with mullion profiles for the vertical connection of several glass panels and also abutment to frame systems AT 44 and AT 50.

Applications:

e.g. surrounding frame for toughened glass systems for fixing to walls and ceilings

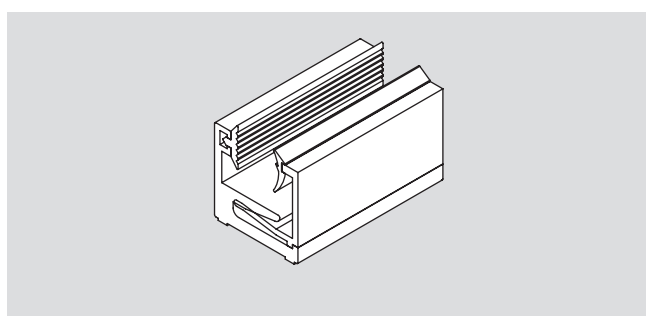


Base profile



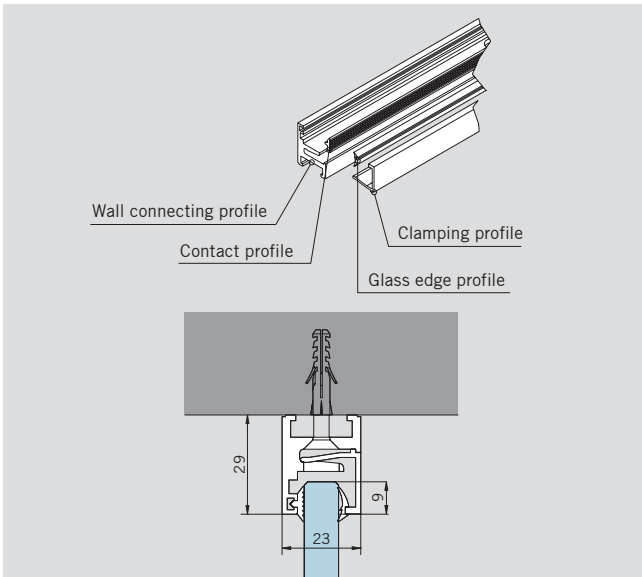
MR 22
in 6000 mm stock length,
without PVC profile

Art. No. 07.240



MR 22
in fixed length

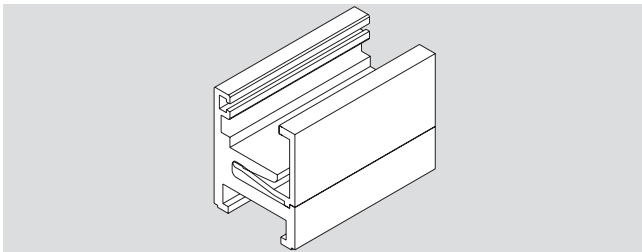
Art. No. 07.250



Base profile

Attention:

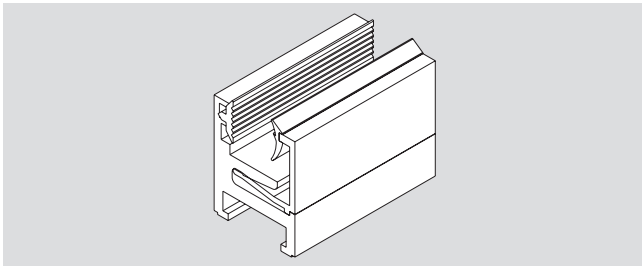
Profiles are only delivered with straight cuts. Allowances in lengths of profiles to ensure producibility of bevel cuts have to be planned by the customer. The georgian bar profile must be prepared in addition on both sides. Please consider installation instructions.



MR 28

in 6,000 mm stock length, without PVC profile

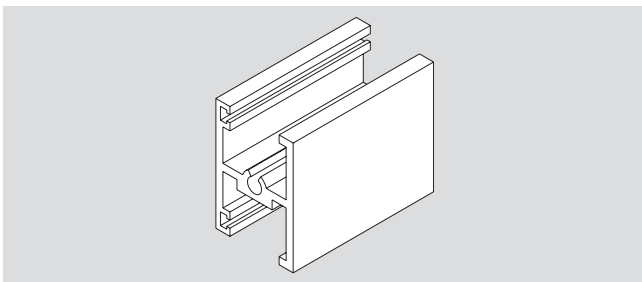
Art. No. 07.241



MR 28

in fixed length

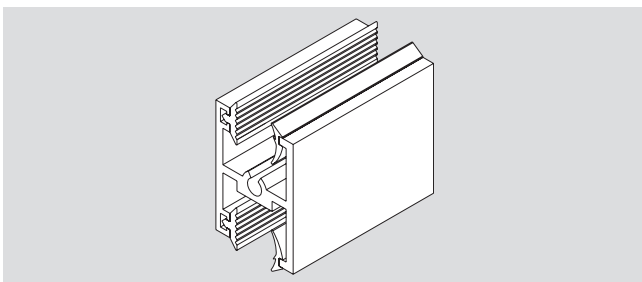
Art. No. 07.251



Georgian bar profile MR 28

in 6,000 mm stock length, without PVC profile

Art. No. 07.242



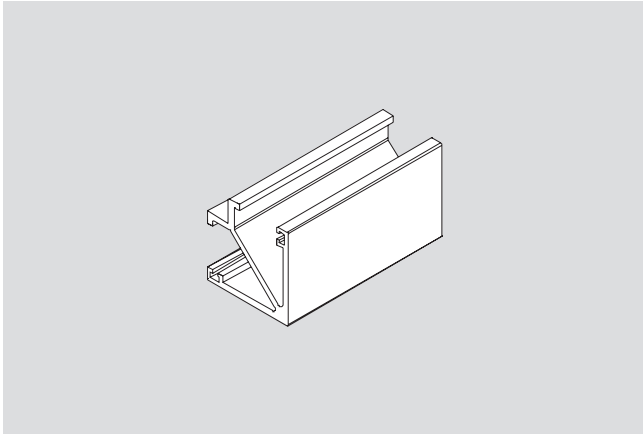
Georgian bar profile MR 28

in fixed length

Art. No. 07.252

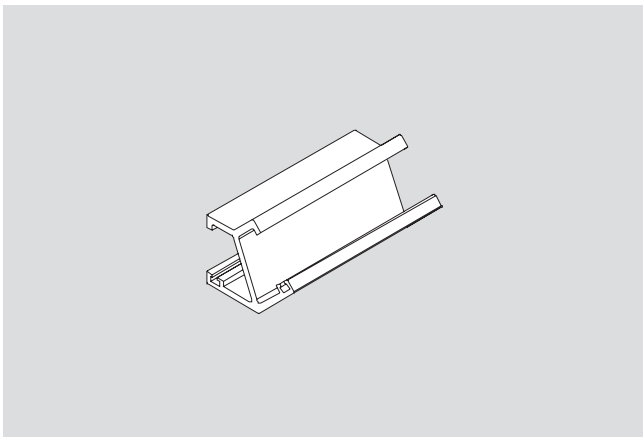
Screws for fixation at M 28 base profile are not included in delivery.

Recommendation:
counter sunk screw
4.2 mm x 32 mm



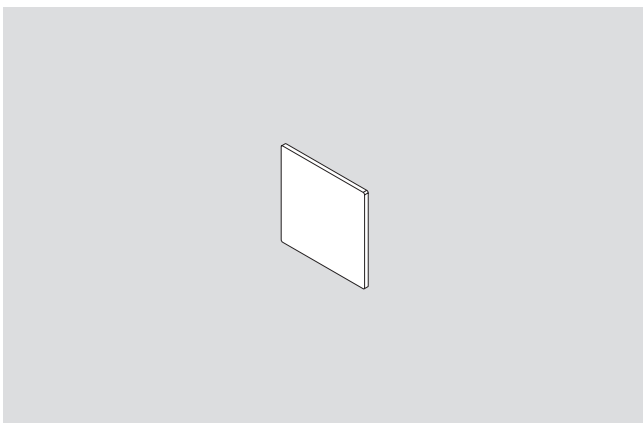
**MR 28 georgian bar profile
90°**
in 6,000 mm stock length

Art. No. 07.258



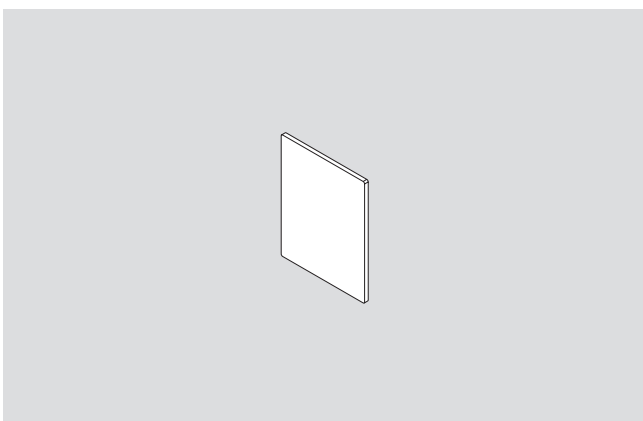
**MR 28 georgian bar profile
135°**
in 6,000 mm stock length

Art. No. 07.259



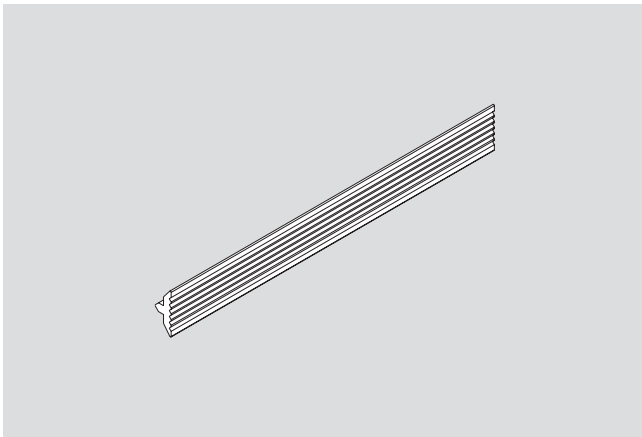
End mounted plate MR 22

Art. No. 07.245



End mounted plate MR 28

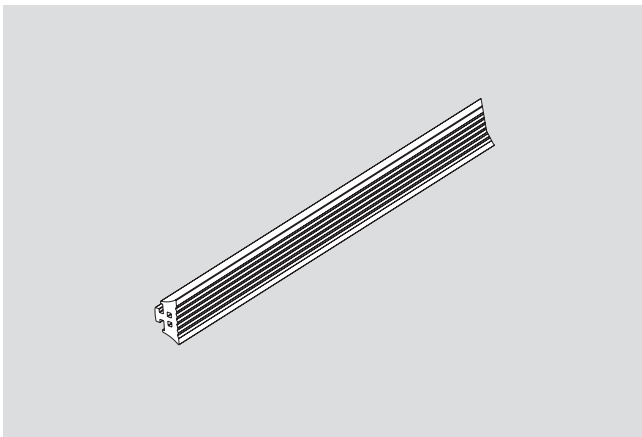
Art. No. 07.246



Contact profile
2 mm thick, grey

fixed length
stock length 50 m

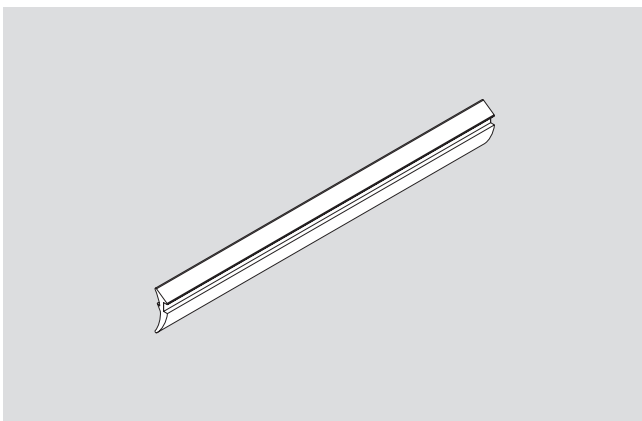
Art. No. 07.255
Art. No. 07.265



Contact profile
4 mm thick, grey

fixed length
stock length 50 m

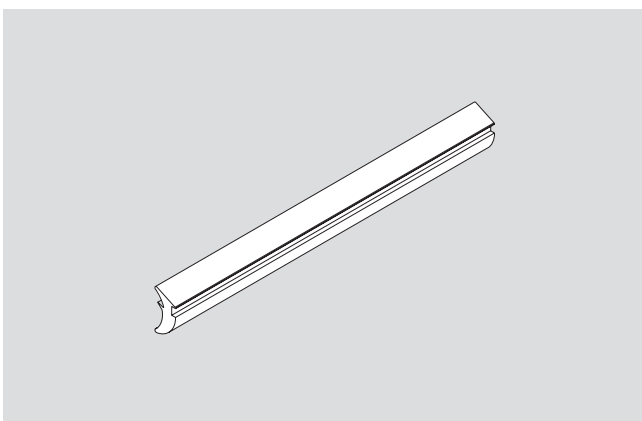
Art. No. 07.256
Art. No. 07.266



Glass wedge profile
2 mm thick, grey

fixed length
stock length 50 m

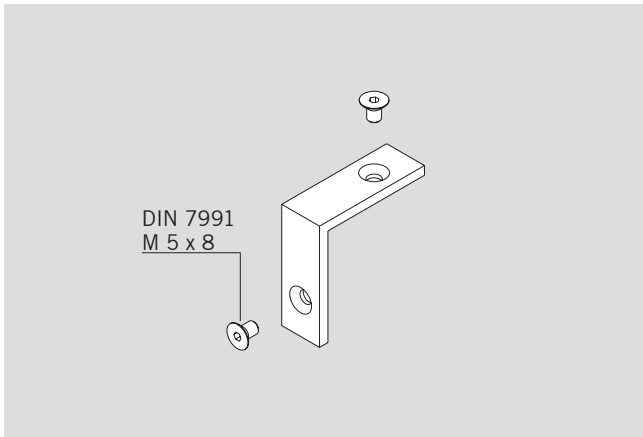
Art. No. 07.253
Art. No. 07.263



Glass wedge profile
4 mm thick, grey

fixed length
stock length 25 m

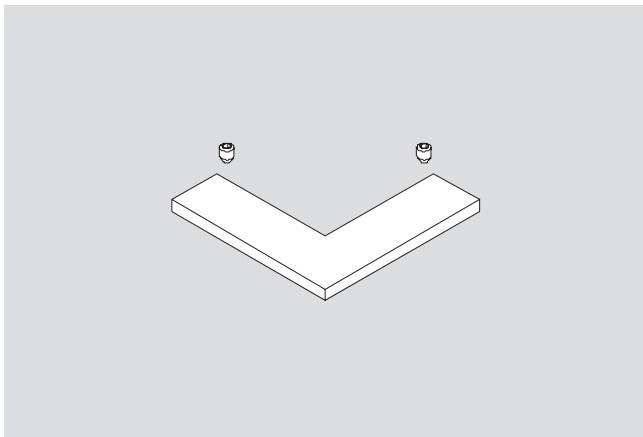
Art. No. 07.254
Art. No. 07.264



Corner connection set MR 28,
4 pieces per set

Art. No. 07.247

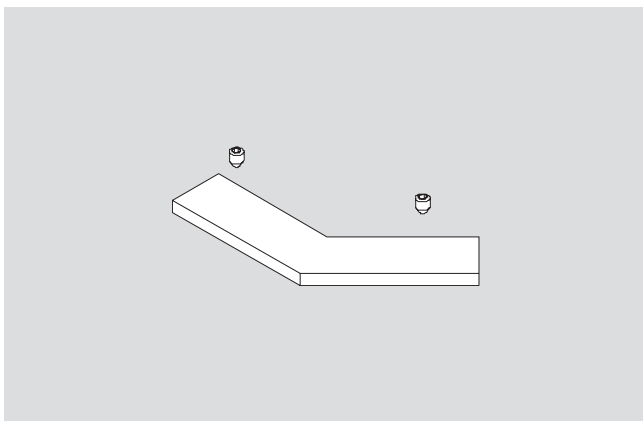
8 screws DIN 7991
M 5 x 8 included in scope of
delivery



Corner connection for MR 28
georgian bar profile 90°

Art. No. 07.248

2 grub screws DIN 916
M 4 x 5 included in scope of
delivery



Corner connection for MR 28
georgian bar profil 135°

Art. No. 07.249

2 grub screws DIN 916
M 4 x 5 included in scope of
delivery

SAFETY-RELATED INFORMATION

Important safety-related information for the mounting and use of DORMA glass fittings

(Follow these instructions in addition to the mounting and operating instructions in order to avoid damage of product and damage to person or property.)

Important: All users must be informed about relevant points mentioned in these safety-related information and the mounting and operating instructions!

General information

1. DORMA recommends using TSG-H (heat soaked toughened safety glass) to DIN EN 12150-1.
2. DORMA glass fittings are not suitable for application in rooms where chemicals (e.g. chlorine) are used such as indoor swimming pools, saunas or salt-water pools.
3. Never move sliding panels faster than walking speed and always stop the door manually before it reaches end position.
4. Do not shut swing doors with excessive force. Install door stop to prevent door from opening too far.

Mounting

1. Only properly qualified and specially trained staff is authorized to mount DORMA glass fittings.
2. Never use glass with conchoidal fractures and/or damaged edges.

3. Due to crushing hazards – among others in the area of the secondary closing edge – and possible injury caused by breakage of glass during mounting, corresponding protective clothing (especially gloves and protective goggles) is required.
4. Clean clamping area with fat solvent (standard commercial cleaning agent) before mounting the glass fitting.
5. Never use clamping shoes on structured glass surfaces (except on satined glass) or glass of heavily varying thickness unless with a corresponding levelling layer.
6. Never use clamping shoes on self-cleaning coatings.
7. When adjusting glass elements, always stick to the required clearance for the respective fitting. Adjust clearance so that the glass does not touch hard components such as glass, metal or concrete.
8. Make sure not to use excessive force when installing the glass (avoid local stress resulting from very tight screws).

Maintenance

Check fittings at regular intervals for proper positioning and smooth running and door for correct adjustment. Especially highly-frequented door systems require inspection by properly qualified staff (specialized companies or installation firms). Immediately replace damaged glass elements (no glass flaking and/or conchoidal fractures)!



The printed colors indicating the surface finishes are not 100% true, but do provide a useful guide.

Statements made with regard to the nature or use of the products are for the purposes of descriptions. Assent with regard to the existence of particular properties or particular uses always requires special written agreement. Pictures may show special designs which are different to the standard scope of delivery.

Subject to change without notice.



DORMA Deutschland GmbH
DORMA Platz 1
58256 ENNEPETAL
GERMANY
Phone +49 2333 793-0
Fax +49 2333 793-4950
www.dorma.com

DORMA-Glas GmbH
Max-Planck-Straße 33-45
32107 BAD SALZUFLEN
GERMANY
Phone +49 5222 924-100
Fax +49 5222 924-3100
www.dorma.com