

## ACCESSORIES

---

**Locks, U-profiles**

116

**Door knob, flush pull,  
handle bar**

117

**Handle bars**

118

**Conversion sets**

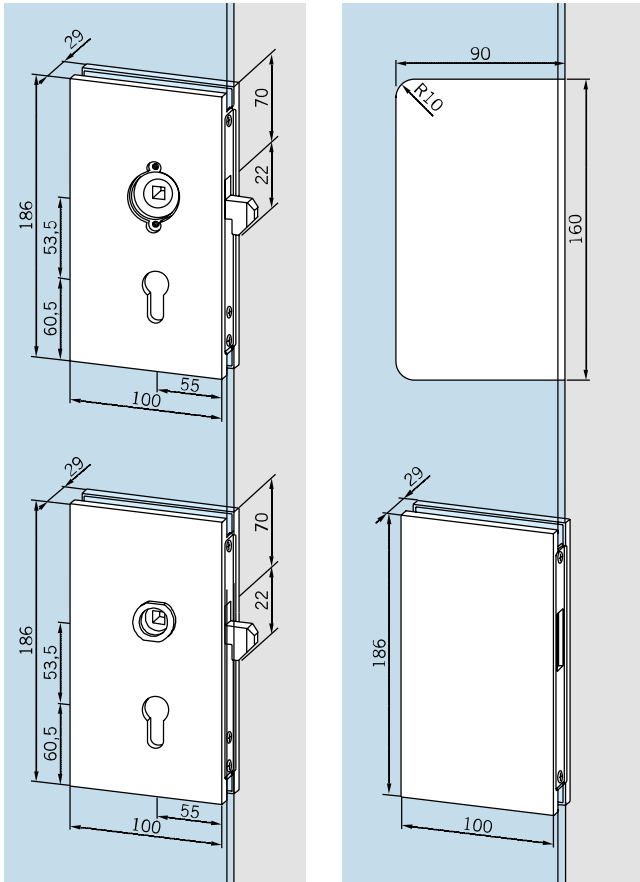
119

**Safety-related  
information**

121



## LOCKS, U-PROFILES



**Hook lock** for sliding doors, nightlatch function, suitable for **aluminum lever handles with round roses (10.307)**, prepared for Europrofile cylinder, left hand and right hand, with lock keeper plate

**Art. No. 05.200**

Weight in kg: aluminum 1.325

suitable for **lever handles with follower**

**Art. No. 05.202**

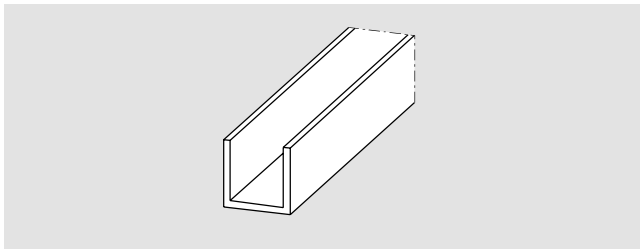
Weight in kg: aluminum 1.325

**Strike box**

to suit hook lock 05.200, 05.202, non-handed

**Art. No. 05.201**

Weight in kg: aluminum 0.890



**U-profile**

20 x 20 x 20 x 2 mm

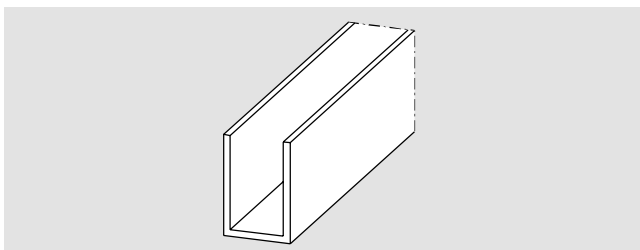
**Art. No. 07.092**

stock length 6000 mm

**Art. No. 07.093**

fixed length

Weight in kg/m: alumin. 0.336



**U-profile**

30 x 20 x 30 x 2 mm

**Art. No. 07.097**

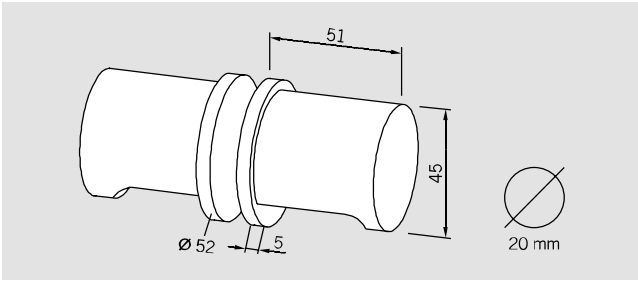
stock length 6000 mm

**Art. No. 07.096**

fixed length

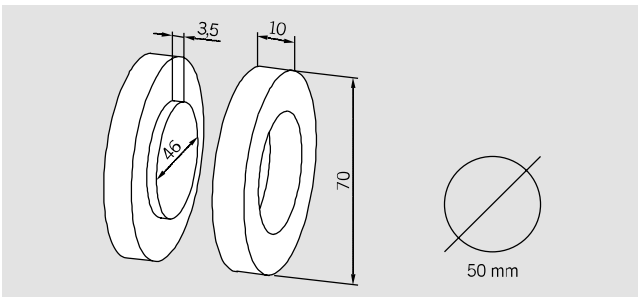
Weight in kg/m: alumin. 0.448

# DOOR KNOB, FLUSH PULL, ARCOS HANDLE BAR



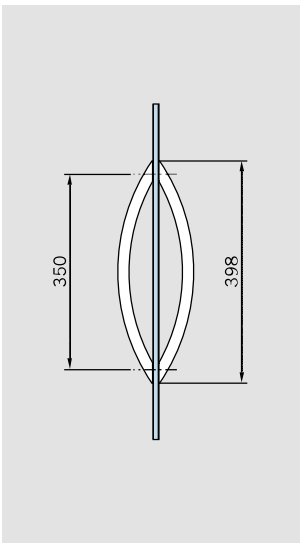
**Door knob,**  
aluminum

**Art. No. 07.201**  
Weight in kg: 0.400



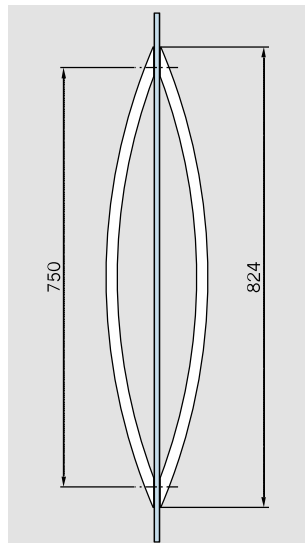
**Flush pull,**  
aluminum  
to be glued onto the glass

**Art. No. 07.200**  
Weight in kg: 0.072

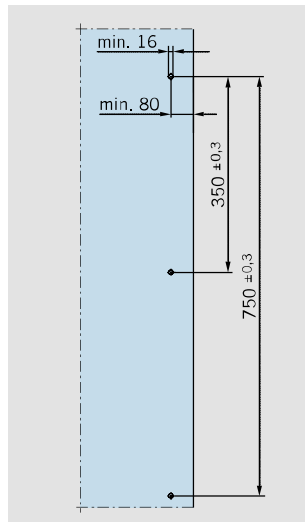
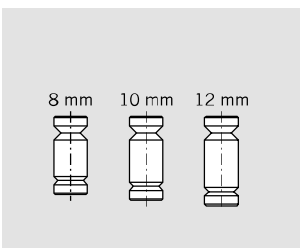
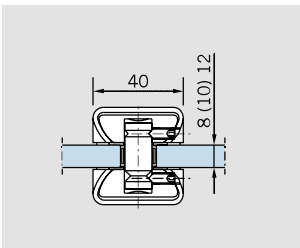


**ARCOS handle bar**  
Satin stainless steel  
or aluminum, for 8, 10 and  
12 mm glass thicknesses

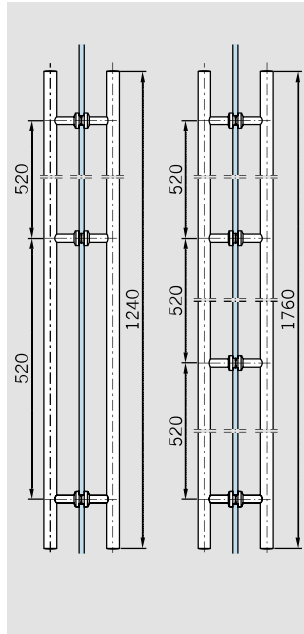
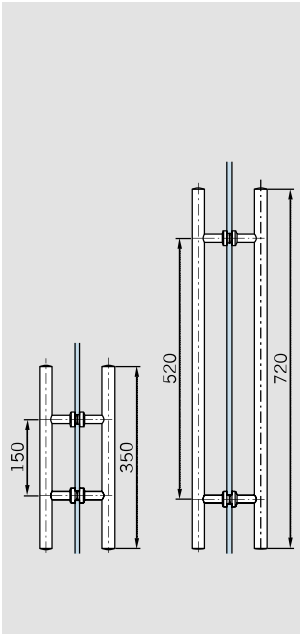
**Art. No. 26.500**  
Length 350 mm  
2 hole fixing



**Art. No. 26.510**  
Length 750 mm  
2 hole fixing



# PAIR OF HANDLE BARS



**Pair of handle bars  
satin stainless steel**  
length 350 mm  
2 hole fixing for 8, 10 and  
12 mm glass thicknesses

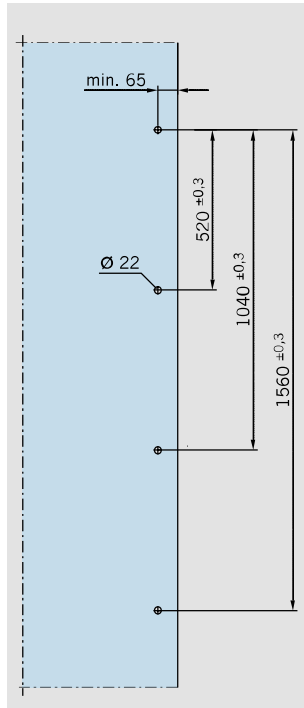
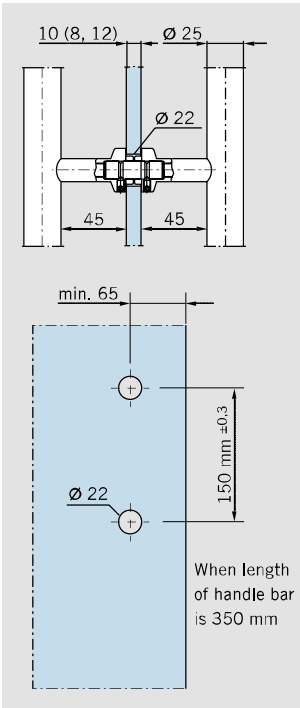
**Art. No. 21.267\***  
Weight in kg:  
stainless steel 1.254

**Pair of handle bars  
aluminum**  
length 350 mm  
2 hole fixing for 8, 10 and  
12 mm glass thicknesses

**Art. No. 03.400**  
Weight in kg: alumin. 1.326

**Pair of handle bars  
satin stainless steel**  
length 720 mm,  
2 hole fixing for 8, 10 and  
12 mm glass thicknesses

**Art. No. 21.270\***  
Weight in kg:  
stainless steel 1.947



**Pair of handle bars  
aluminum**  
length 720 mm  
2 hole fixing for 8, 10 and  
12 mm glass thicknesses

**Art. No. 03.402**  
Weight in kg: alumin. 2.423

**Pair of handle bars  
satin stainless steel**  
length 1240 mm  
3 hole fixing for 8, 10 and  
12 mm glass thicknesses

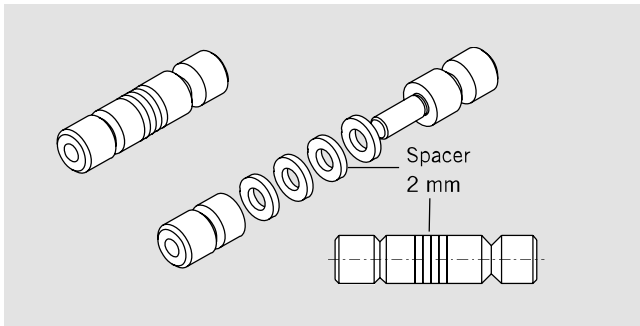
**Art. No. 21.273\***  
Weight in kg:  
stainless steel 3.400

**Pair of handle bars  
satin stainless steel**  
length 1760 mm  
4 hole fixing for 8, 10 and  
12 mm glass thicknesses

**Art. No. 21.276\***  
Weight in kg:  
stainless steel 5.000

\*Conversion sets for back to back pull handles for timber doors resp. other glass thicknesses see next page

# CONVERSION SETS FOR BACK TO BACK PULL HANDLES

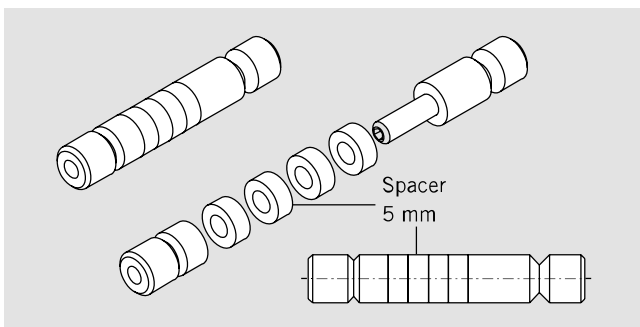


**Conversion set  
for glass doors,  
back to back pull handles**  
Glass thicknesses  
13.5 – 21.5 mm

**Art. No. 21.285**

## Glass doors

Glass thickness	spacer
13.5 mm	without
15 mm	1
17.5 mm	2
19 mm	3
21.5 mm	4



**Conversion set  
for timber doors,  
back to back pull handles**  
Door thicknesses 20 – 40 mm

**Art. No. 21.286**

## Timber doors

Glass thickness	spacer
20 mm	without
25 mm	1
30 mm	2
35 mm	3
40 mm	4



## SAFETY-RELATED INFORMATION

### Important safety-related information for the mounting and use of DORMA glass fittings

(Follow these instructions in addition to the mounting and operating instructions in order to avoid damage of product and damage to person or property.)

**Important:** All users have to be informed about relevant points mentioned in these safety-related information and the mounting and operating instructions!

### General information

1. DORMA recommends using TSG-H (heat soaked toughened safety glass) to DIN EN 12150-1.
2. DORMA glass fittings are not suitable for application in rooms where chemicals (e. g. chlorine) are used such as indoor swimming pools, saunas or salt-water pools.
3. Never move sliding panels faster than walking speed and always stop the door manually before it reaches end position.
4. Do not shut swing doors with excessive force. Install door stop to prevent door from opening too far.

### Mounting

1. Only properly qualified and specially trained staff is authorized to mount DORMA glass fittings.
2. Never use glass with conchoidal fractures and/or damaged edges.

3. Due to crushing hazards – among others in the area of the secondary closing edge – and possible injury caused by breakage of glass during mounting, corresponding protective clothing (especially gloves and protective goggles) is required.
4. Clean clamping area with fat solvent (standard commercial cleaning agent) before mounting the glass fitting.
5. Never use clamping shoes on structured glass surfaces (except on satined glass) or glass of heavily varying thickness unless with a corresponding levelling layer.
6. Never use clamping shoes on self-cleaning coatings.
7. When adjusting glass elements, always stick to the required clearance for the respective fitting. Adjust clearance so that the glass does not touch hart components such as glass, metal or concrete.
8. Make sure not to use excessive force when installing the glass (avoid local stress resulting from very tight screws).

### Maintenance

Check fittings at regular intervals for proper positioning and smooth running and door for correct adjustment. Especially highly-frequented door systems require inspection by properly qualified staff (specialised companies or installation firms). Immediately replace damaged class elements (no glass flaking and/or conchoidal fractures)!



The printed colors indicating the surface finishes are not 100% true, but do provide a useful guide.

Statements made with regard to the nature or use of the products are for the purposes of descriptions. Assent with regard to the existence of particular properties or particular uses always requires special written agreement. Pictures may show special designs which are different to the standard scope of delivery.

Subject to change without notice.