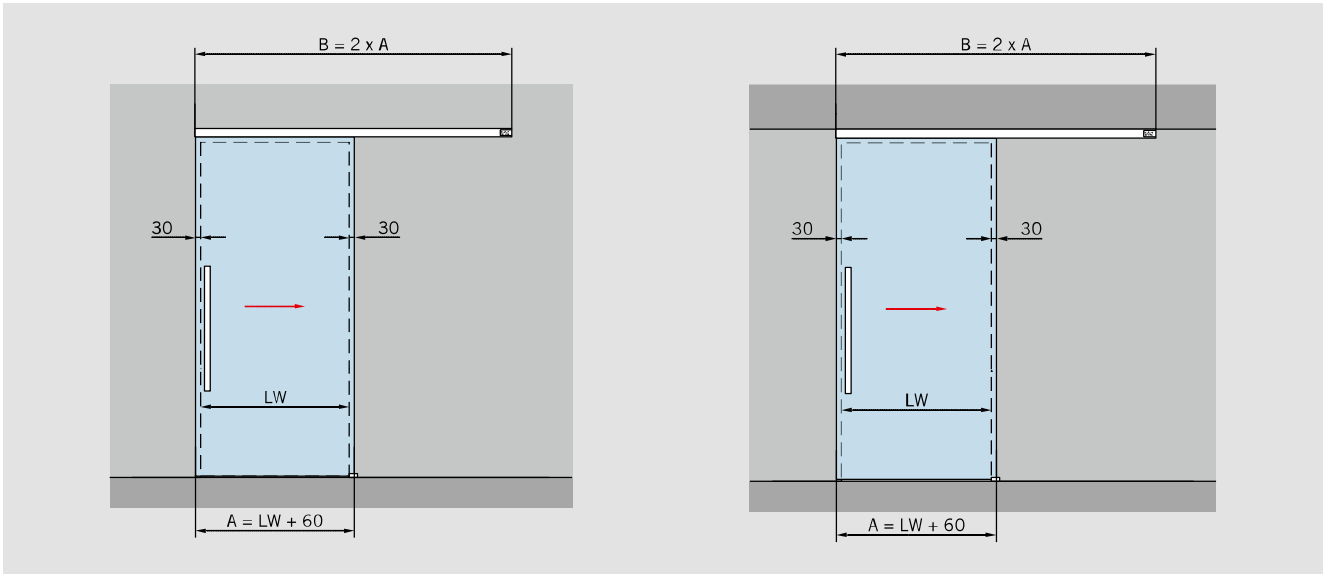
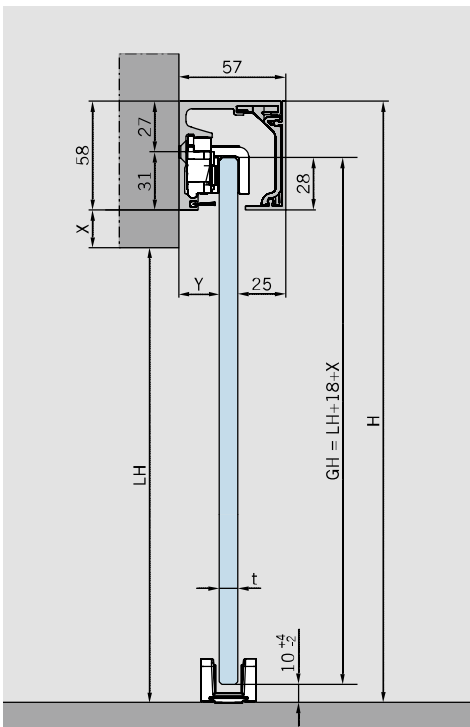


# TYPICAL ASSEMBLIES FIXED AT WALL / FIXED AT CEILING



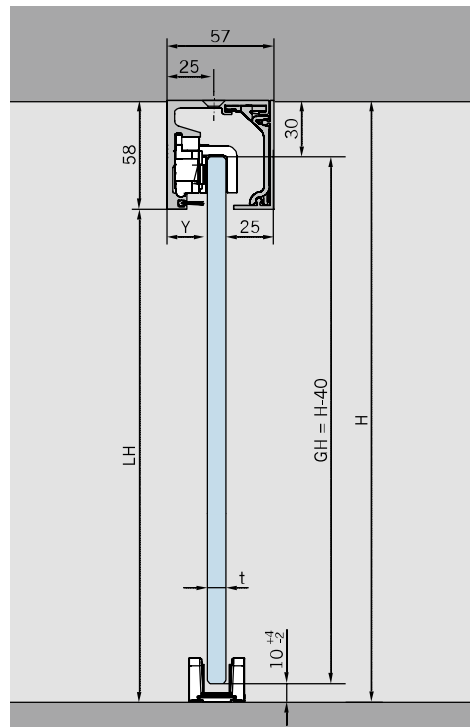
**Fixed at wall**



**Calculation of glass height**

$GH = LH + 18 + X$  (see drawing)  
max. 2500 mm

**Fixed at ceiling**



**Calculation of glass height**

$GH = H - 40$  (see drawing)  
max. 2500 mm

**Features and data**

For installation with one or two door panels fixed at wall; for 8 – 10 mm glass thickness

**Max. weight of door panels**  
50 kg

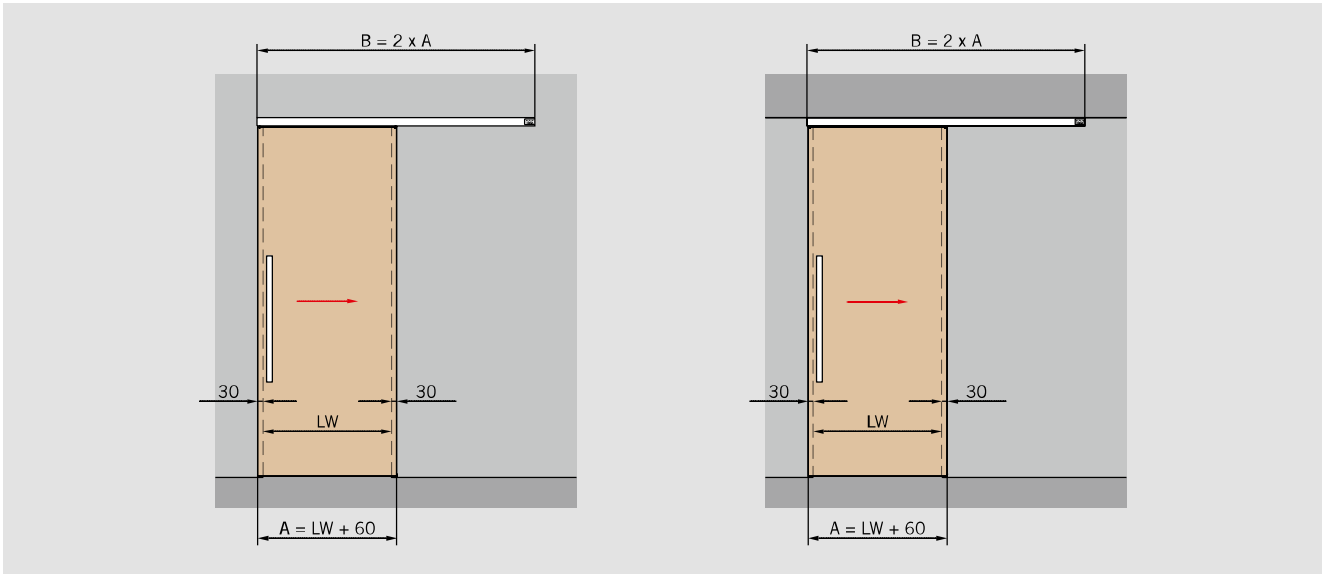
**Calculation of glass width**  
 $A = LW + 60$  mm

**with DORMOTION**  
min. 905 mm  
max. 1300 mm

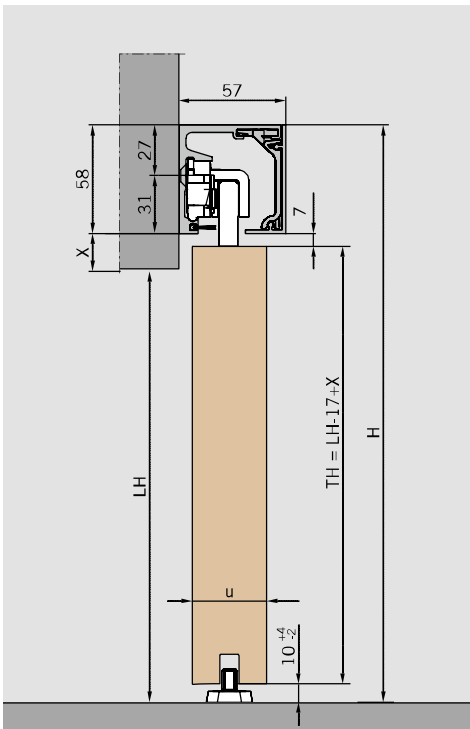
**without DORMOTION**  
min. 660 mm  
max. 1300 mm

- A = Glass width
- B = Length of track
- GH = Glass height
- H = Total height
- LH = Clear opening height
- LW = Clear opening width
- t = Glass thickness
- Y = 57 - 25 - t

# TYPICAL ASSEMBLIES FOR TIMBER DOOR



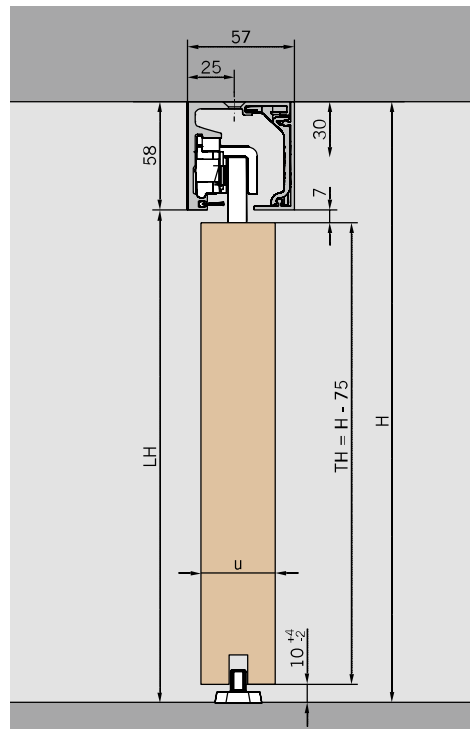
**Fixed at wall**



**Calculation of door height**

$TH = LH - 17 + X$   
max. 2500 mm

**Fixed at ceiling**



**Calculation of door height**

$TH = LH - 17$   
max. 2500 mm

**Features and data**

For installation with timber doors;  
fixed at wall or ceiling,  
for 28 – 50 mm timber elements

**Max. weight of door panels**

50 kg

**Calculation of glass width**

$A = LW + 75$

**with DORMOTION**

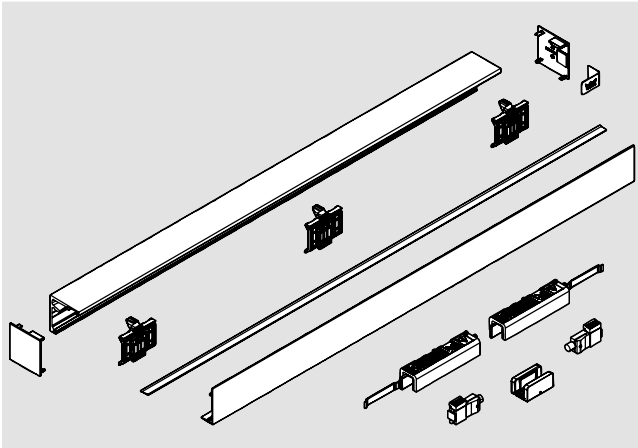
min. 905 mm  
max. 1300 mm

**without DORMOTION**

min. 660 mm  
max. 1300 mm

- A = Door width
- B = Length of track
- H = Total height
- LH = Clear opening height
- LW = Clear opening width
- TH = Door height
- u = Timber thickness

# SLIDING DOOR SETS, FOR SELECTED CLEAR OPENING WIDTH

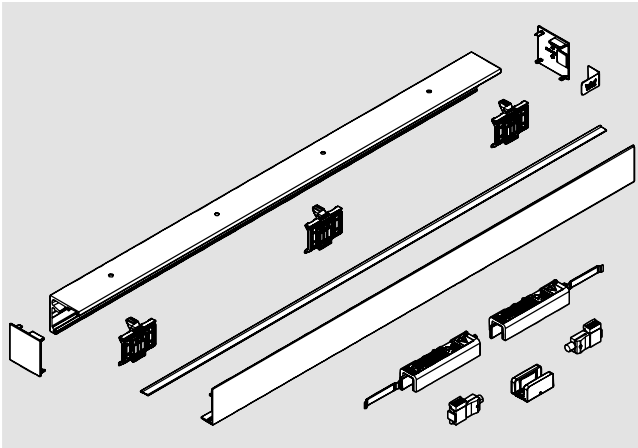


**Comfort M  
DORMOTION 50**  
Set for wall installation  
Incl. track profile, cover profile  
and brushes

Panel width	Profile length	Art. No.
950	1880	<b>36.100</b>
1200	2380	<b>36.101</b>

Prepared for option DORMOTION

For 8 – 10 mm glass thickness,  
max. 50 kg



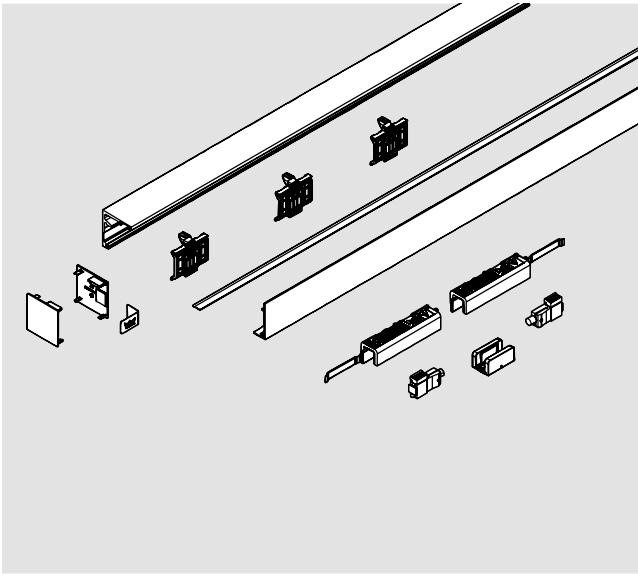
**Comfort M  
DORMOTION 50**  
Set for ceiling installation  
Incl. track profile, cover profile  
and brushes

Panel width	Profile length	Art. No.
950	1880	<b>36.103</b>
1200	2380	<b>36.104</b>

Prepared for option DORMOTION

For 8 – 10 mm glass thickness,  
max. 50 kg

## SLIDING DOOR SETS, FOR INDIVIDUAL CLEAR OPENING WIDTH



### Comfort M

#### DORMOTION 50

Set for wall installation

Min. panel width 905 mm  
(w optional DORMOTION)

Min. panel width 660 mm  
(w/o DORMOTION)

Max. panel width 1300 mm  
(w optional DORMOTION)

Max. panel width 1300 mm  
(w/o DORMOTION)

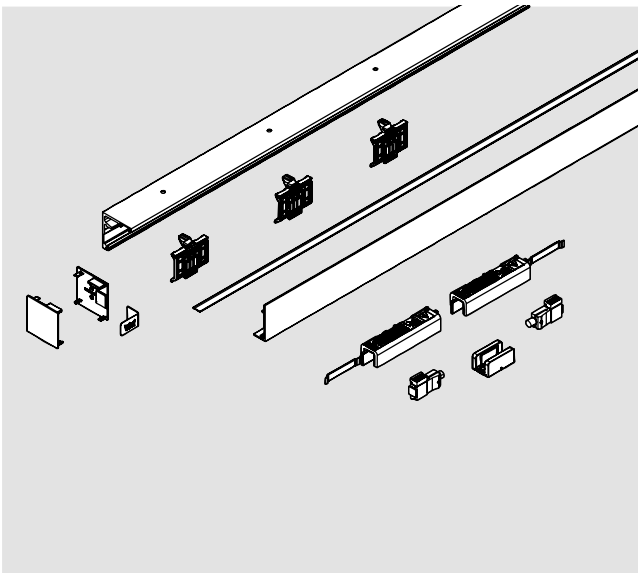
Profile length xxxx mm\*  
(max. 2580 mm)

Incl. track profile, cover profile  
and brushes

Prepared for option DORMOTION

For 8 – 10 mm glass thickness,  
max. 50 kg

Art. No. 36.106



### Comfort M

#### DORMOTION 50

Set for ceiling installation

Min. panel width 905 mm  
(w optional DORMOTION)

Min. panel width 660 mm  
(w/o DORMOTION)

Max. panel width 1300 mm  
(w optional DORMOTION)

Max. panel width 1300 mm  
(w/o DORMOTION)

Profile length xxxx mm\*  
(max. 2580 mm)

Incl. track profile, cover profile  
and brushes

Prepared for option DORMOTION

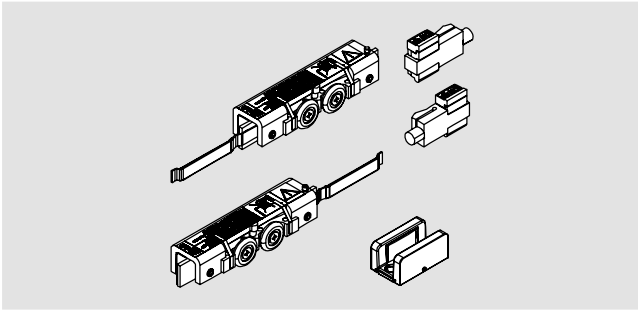
For 8 – 10 mm glass thickness,  
max. 50 kg

Art. No. 36.107

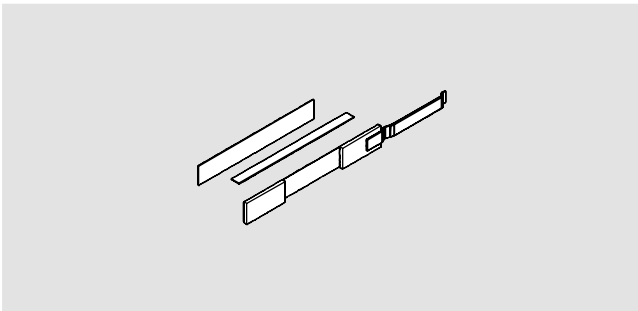
\* to be defined by customer

## COMPONENT PARTS

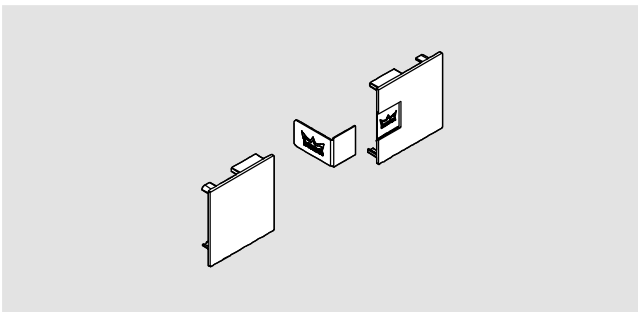
---



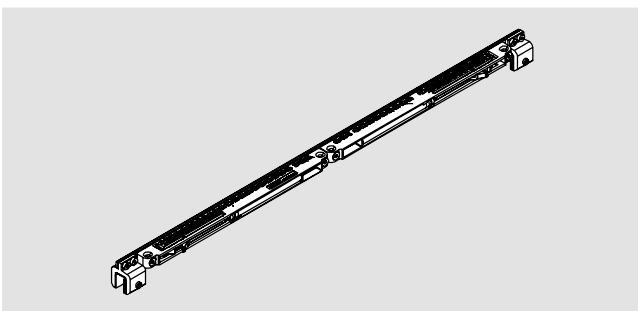
**Comfort M DORMOTION 50** Art. No. 36.150  
Accessory set  
Consisting of: 2 clamp carrier,  
2 endstops and 1 floor guide



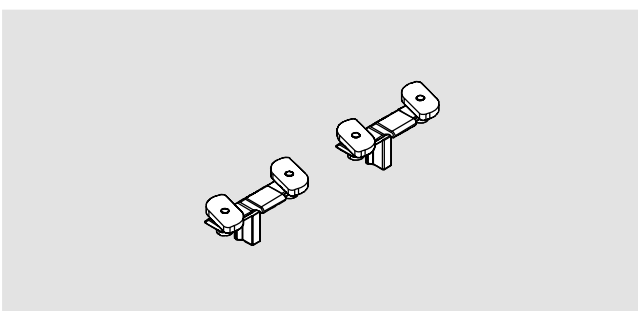
**Comfort M DORMOTION 50** Art. No. 36.151  
Gasket set



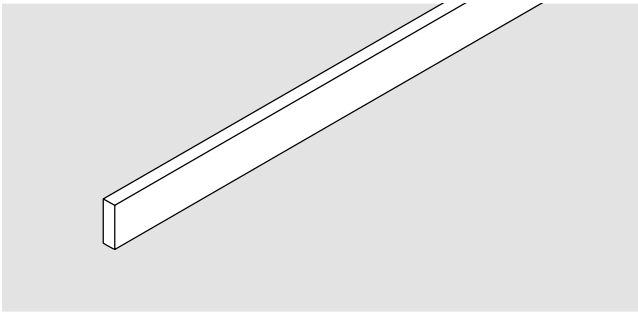
**Comfort M DORMOTION 50** Art. No. 36.152  
Set endcaps



**Comfort M DORMOTION 50** Art. No. 36.153  
DORMOTION unit



**Comfort M DORMOTION 50** Art. No. 36.154  
DORMOTION starter



**Comfort M DORMOTION 50**

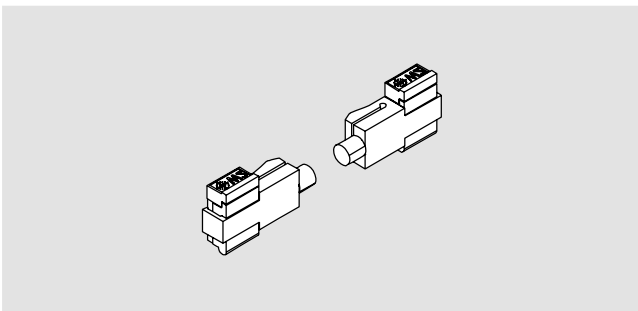
Timber adapter set  
Profile 10 x 35 mm,  
incl. accessory set

1200 mm

**Art. No. 36.156**

fixed length xxxx mm\*

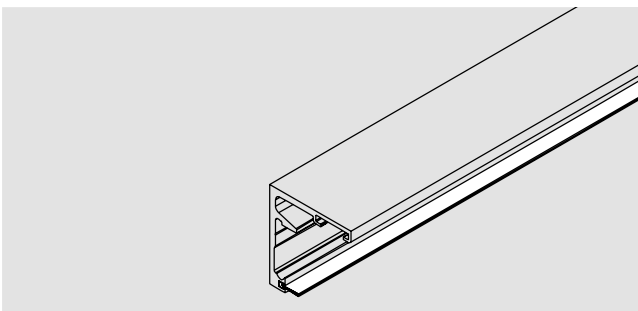
**Art. No. 36.155**



**Comfort M DORMOTION 50**

Endstop set  
2 pieces

**Art. No. 36.158**



**Comfort M DORMOTION 50**

Brush profile  
for 8 – 10 mm  
and 12 – 13.5 mm glass

**Art. No. 36.265**

\* to be defined by customer