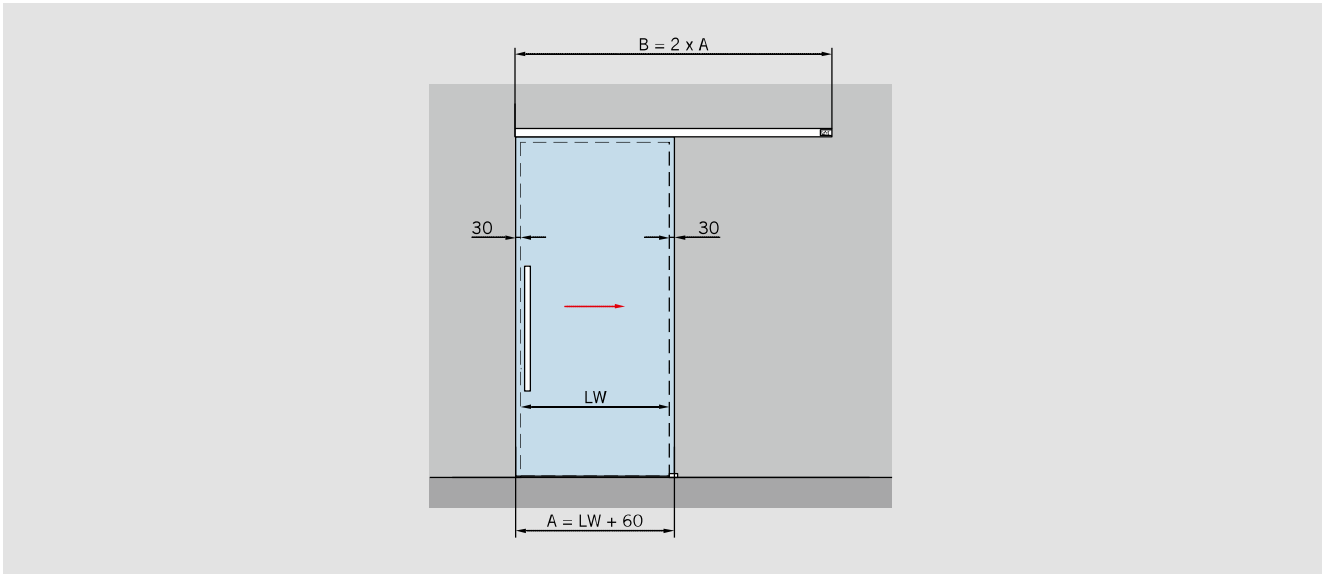
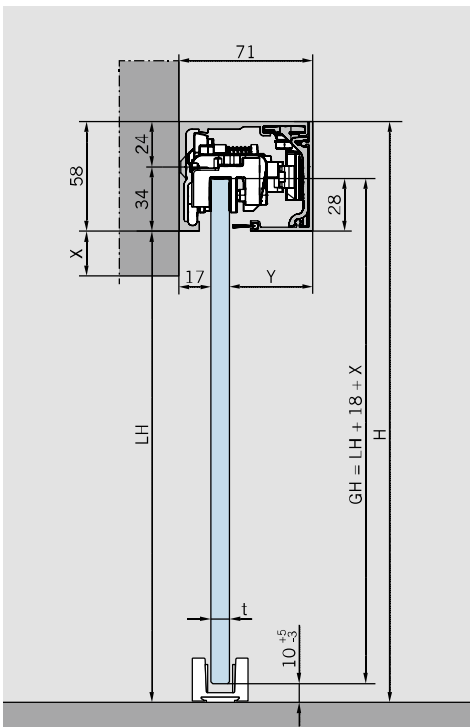


# TYPICAL ASSEMBLIES FIXED AT WALL



## Fixed at wall



### Features and data

For installation with one or two door panels fixed at wall;  
for 8 – 13.5 mm glass thickness

### Max. weight of door panels

80 kg

### Calculation of glass height

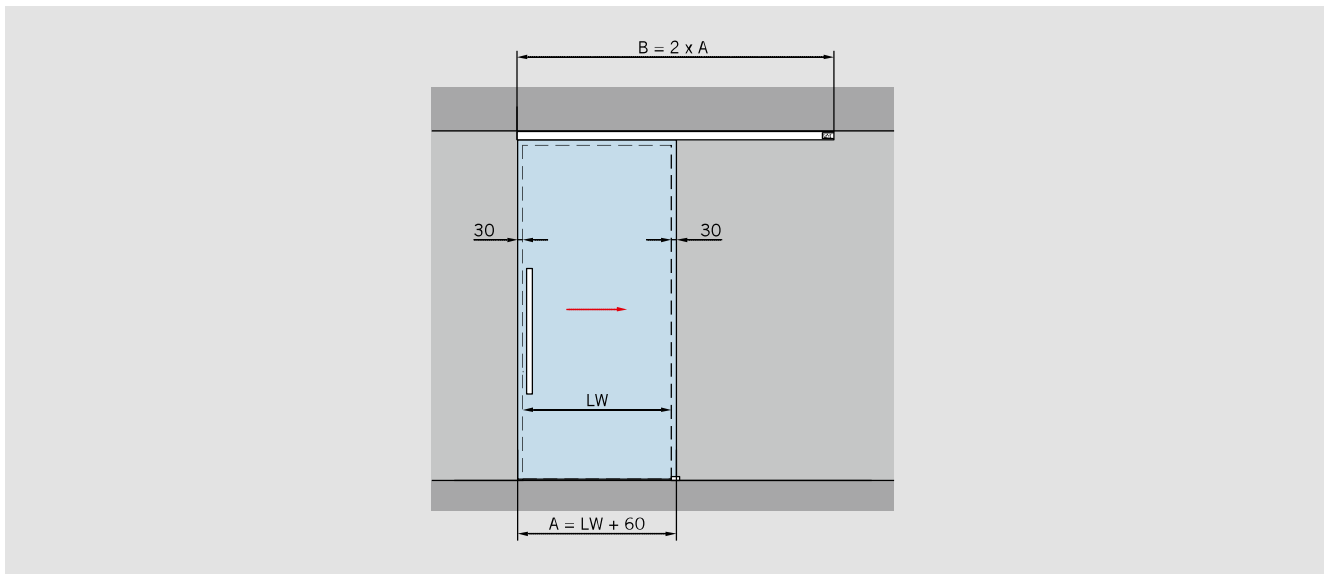
$GH = LH + 18 + X$   
(see drawing)  
max. 3000 mm

### Calculation of glass width

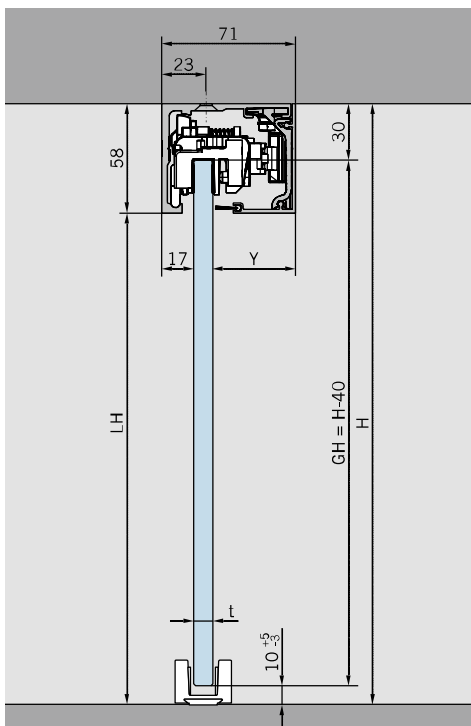
$A = LW + 60$  mm  
min. 990 mm  
with DORMOTION  
min. 660 mm  
without DORMOTION  
max. 2000 mm  
max. 2 x 1250 mm

- A = Glass width
- B = Length of track
- GH = Glass height
- H = Total height
- LH = Clear opening height
- LW = Clear opening width
- t = Glass thickness
- Y = 71 - 17 - t

## TYPICAL ASSEMBLIES FIXED AT CEILING



### Fixed at ceiling



#### Features and data

For installation with one or two door panels  
fixed at ceiling or fixed at false ceiling;  
for 8 – 13.5 mm glass thickness

#### Max. weight of door panels

80 kg

#### Calculation of glass height

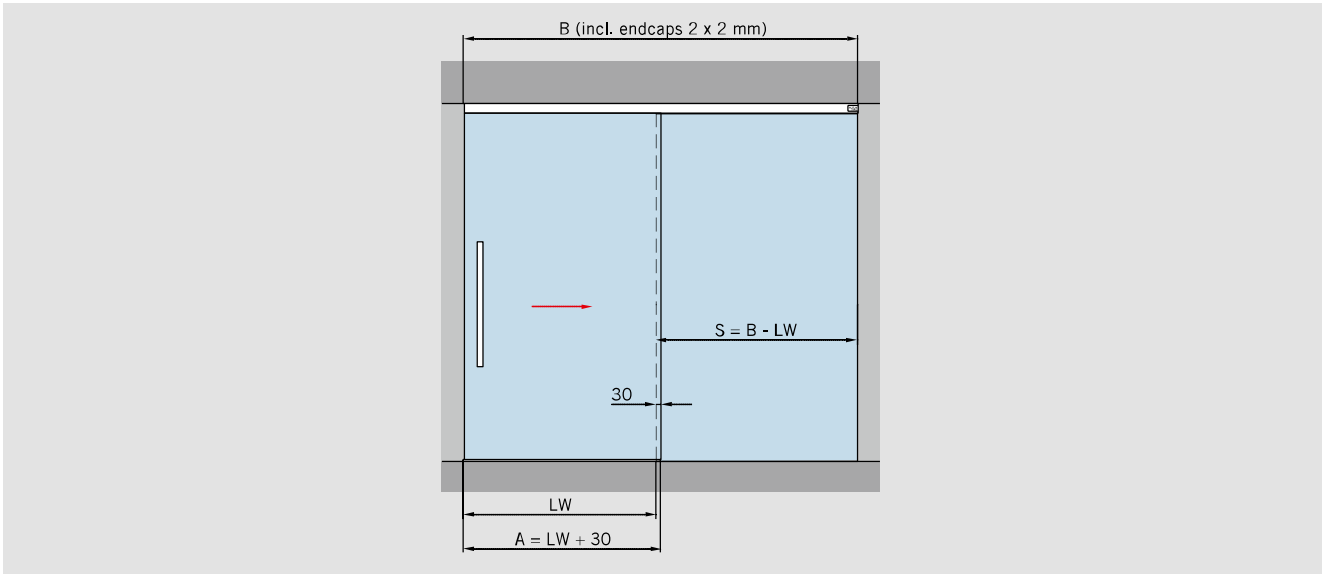
$GH = H - 40 \text{ mm}$   
(see drawing)  
max. 3000 mm

#### Calculation of glass width

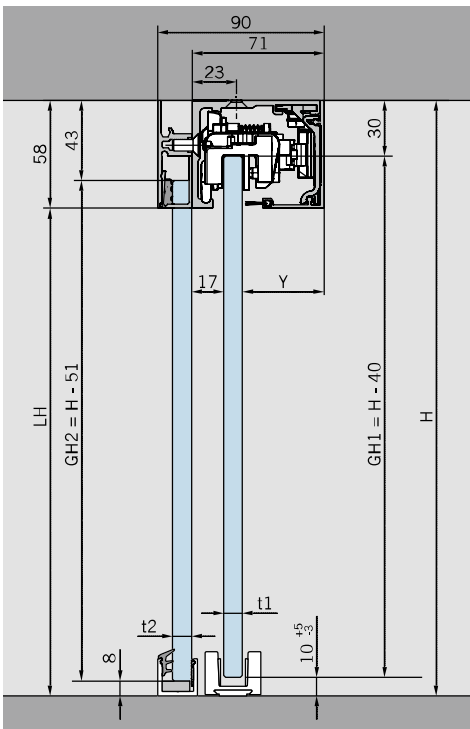
$A = LW + 60 \text{ mm}$   
min. 990 mm  
with DORMOTION  
min. 660 mm  
without DORMOTION  
max. 2000 mm  
max. 2 x 1250 mm

- A = Glass width
- B = Length of track
- GH = Glass height
- H = Total height
- LH = Clear opening height
- LW = Clear opening width
- t = Glass thickness
- Y = 71 - 17 - t

# TYPICAL ASSEMBLIES WITH SIDELIGHT, ON ONE SIDE



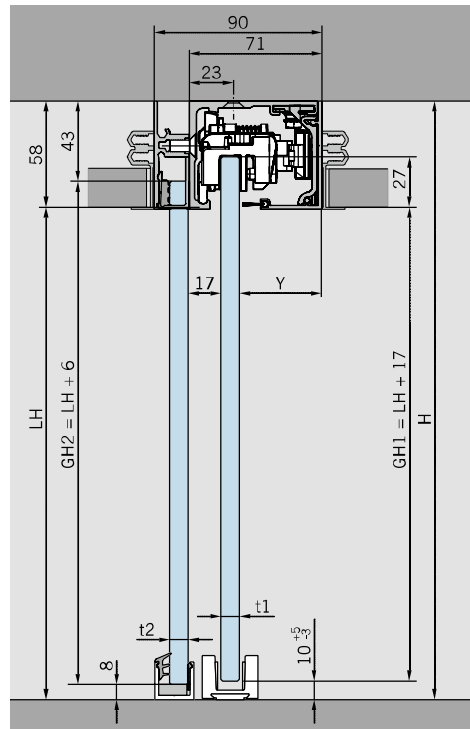
**Fixed at ceiling**



**Calculation of glass height**

GH1 = H - 40  
 GH2 = H - 51  
 max. 3000 mm

**Fixed at false ceiling**



**Calculation of glass height**

GH1 = LH + 17  
 GH2 = LH + 6  
 max. 3000 mm

**Features and data**

For installation with one door panel with sidelight on one side; for 8 – 13.5 mm glass thickness

**Max. weight of door panels**

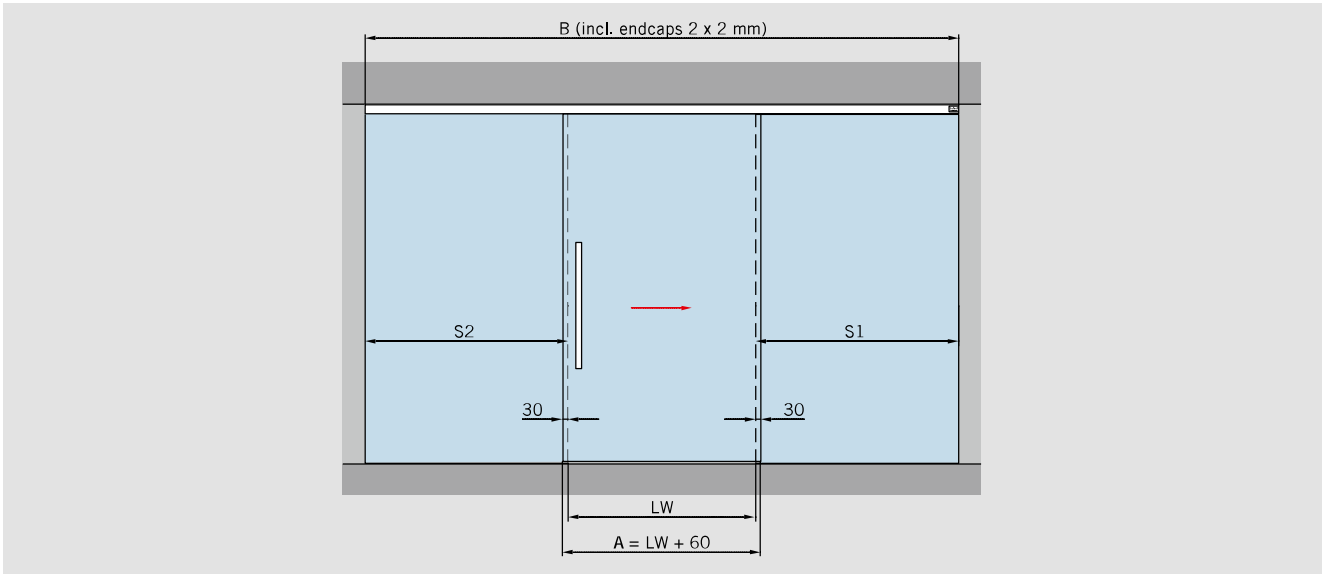
80 kg

**Calculation of glass width**

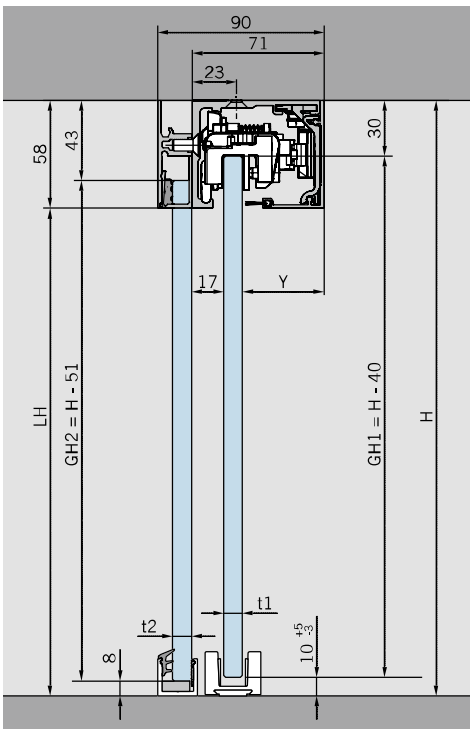
A = LW + 30 mm  
 min. 990 mm with DORMOTION  
 min. 660 mm without DORMOTION  
 max. 2000 mm

- |                                 |                                   |
|---------------------------------|-----------------------------------|
| A = Glass width                 | LH = Clear opening height         |
| B = Length of track             | LW = Clear opening width          |
| GH1 = Glass height sliding door | S = Glass width sidelight         |
| GH2 = Glass height sidelight    | t1 = Glass thickness sliding door |
| H = Total height                | t2 = Glass thickness sidelight    |
|                                 | Y = 71 - 17 - t1                  |

# TYPICAL ASSEMBLIES WITH SIDELIGHT, ON BOTH SIDES



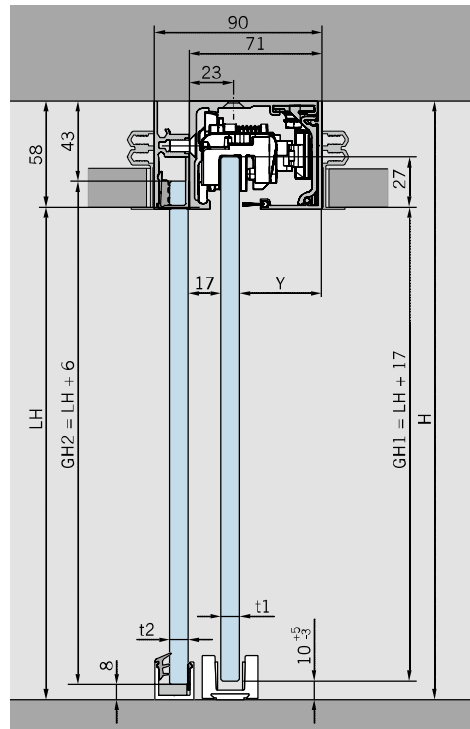
Fixed at ceiling



**Calculation of glass height**

GH1 = H - 40  
 GH2 = H - 51  
 max. 3000 mm

Fixed at false ceiling



**Calculation of glass height**

GH1 = LH + 17  
 GH2 = LH + 6  
 max. 3000 mm

**Features and data**

For installation with one door panel with sidelight on both sides; for 8 – 13.5 mm glass thickness

**Max. weight of door panels**

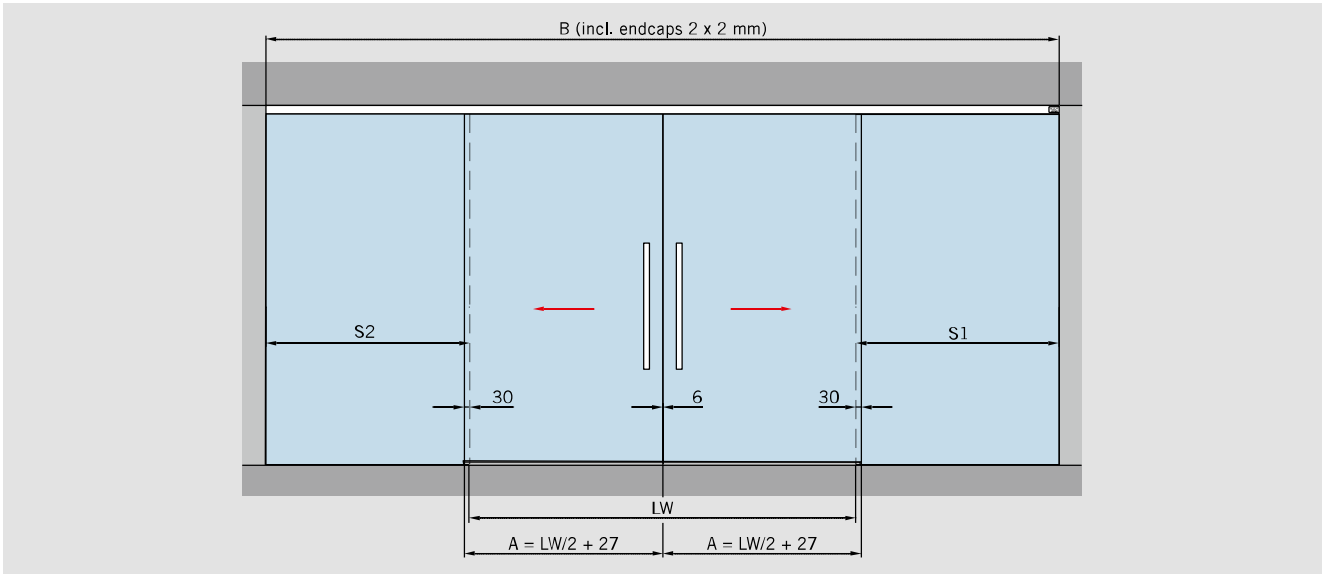
80 kg

**Calculation of glass width**

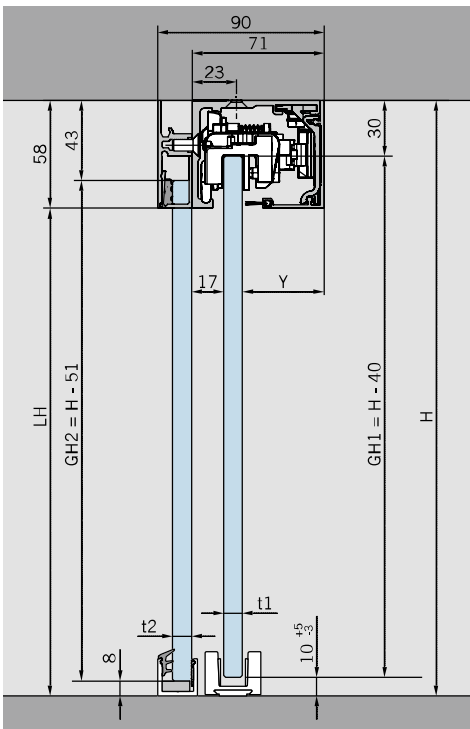
A = LW + 60 mm  
 min. 990 mm with DORMOTION  
 min. 660 mm without DORMOTION  
 max. 2000 mm

- A = Glass width
- B = Length of track
- GH1 = Glass height sliding door
- GH2 = Glass height sidelight
- H = Total height
- LH = Clear opening height
- LW = Clear opening width
- S = Glass width sidelight
- t1 = Glass thickness sliding door
- t2 = Glass thickness sidelight
- Y = 71 - 17 - t1

# TYPICAL ASSEMBLIES WITH TWO DOOR PANELS WITH SIDELIGHTS



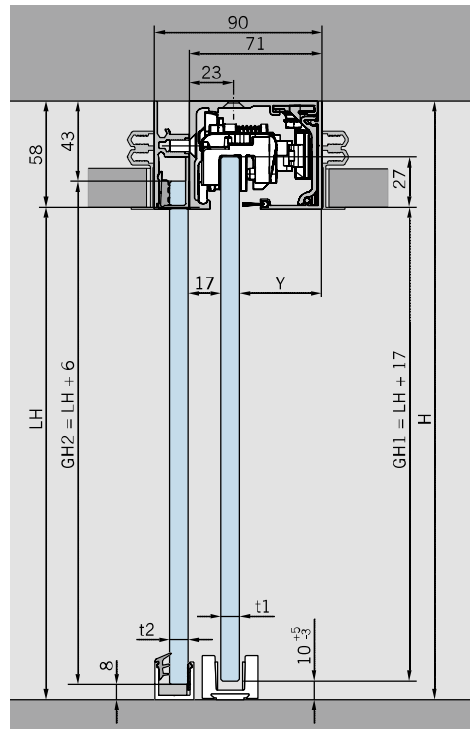
**Fixed at ceiling**



**Calculation of glass height**

GH1 = H - 40  
 GH2 = H - 51  
 max. 3000 mm

**Fixed at false ceiling**



**Calculation of glass height**

GH1 = LH + 17  
 GH2 = LH + 6  
 max. 3000 mm

**Features and data**

For installation with two door panels with sidelights;  
 for 8 – 13.5 mm glass thickness

**Max. weight of door panels**

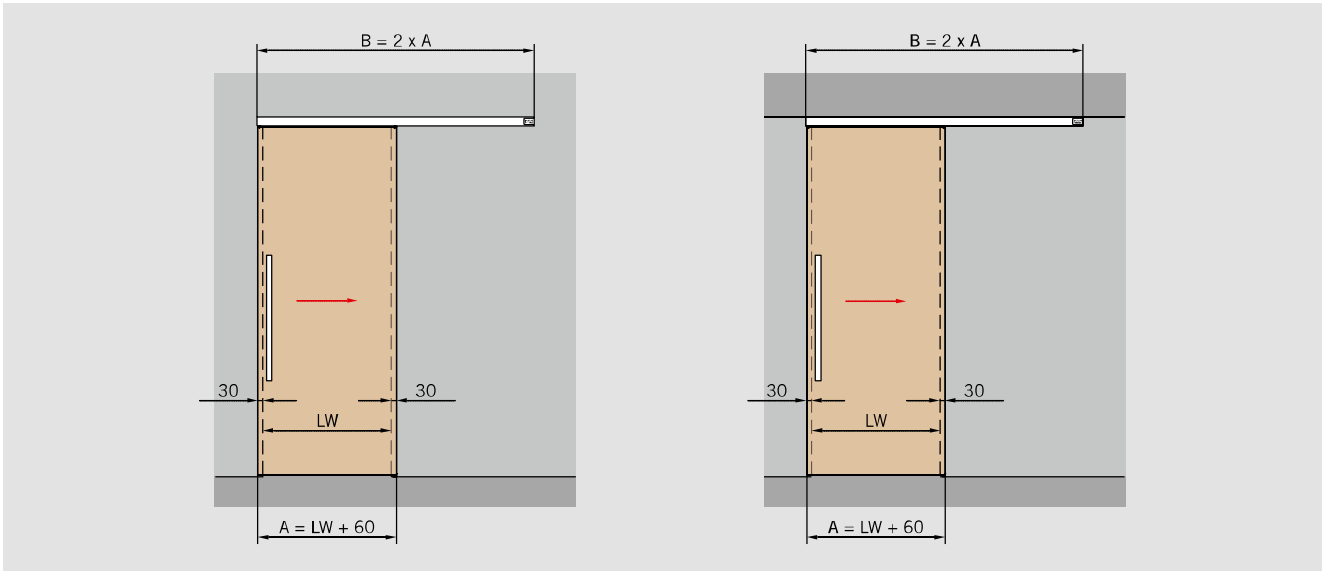
80 kg

**Calculation of glass width**

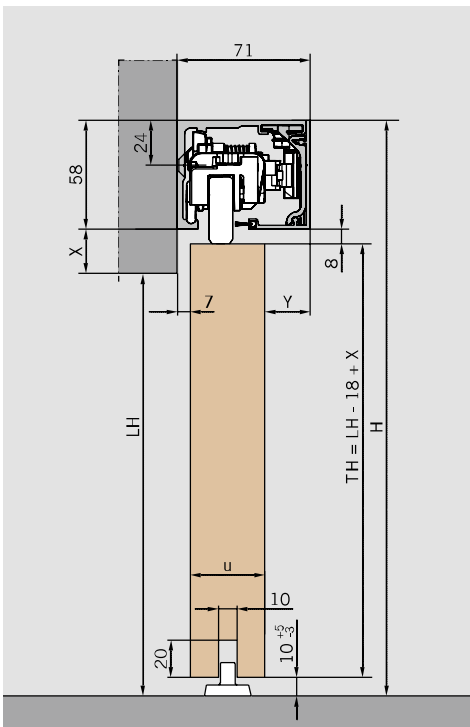
A = LW / 2 + 27 mm  
 min. 2 x 990 mm  
 with DORMOTION  
 min. 2 x 660 mm  
 without DORMOTION  
 max. 2 x 1250 mm

- |                                 |                                   |
|---------------------------------|-----------------------------------|
| A = Glass width                 | LH = Clear opening height         |
| B = Length of track             | LW = Clear opening width          |
| GH1 = Glass height sliding door | S = Glass width sidelight         |
| GH2 = Glass height sidelight    | t1 = Glass thickness sliding door |
| H = Total height                | t2 = Glass thickness sidelight    |
|                                 | Y = 71 - 17 - t1                  |

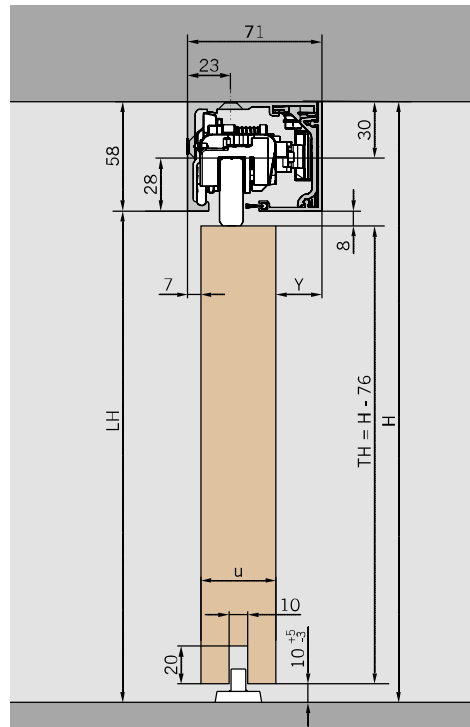
# TYPICAL ASSEMBLIES FOR TIMBER DOOR



**Fixed at wall**



**Fixed at ceiling**



**Features and data**

For installation with timber doors;  
fixed at wall or ceiling,  
for 28 – 50 mm timber elements

**Max. weight of door panels**

80 kg

**Calculation of door height**

$TH = LH - 18 + X$

$TH = H - 76$

max. 3000 mm

**Calculation of glass width**

$A = LW + 60$

min. 990 mm

with DORMOTION

min. 660 mm

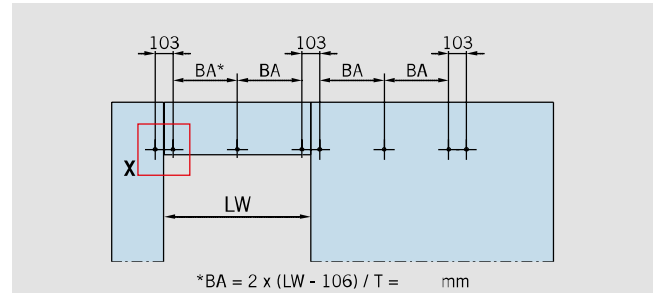
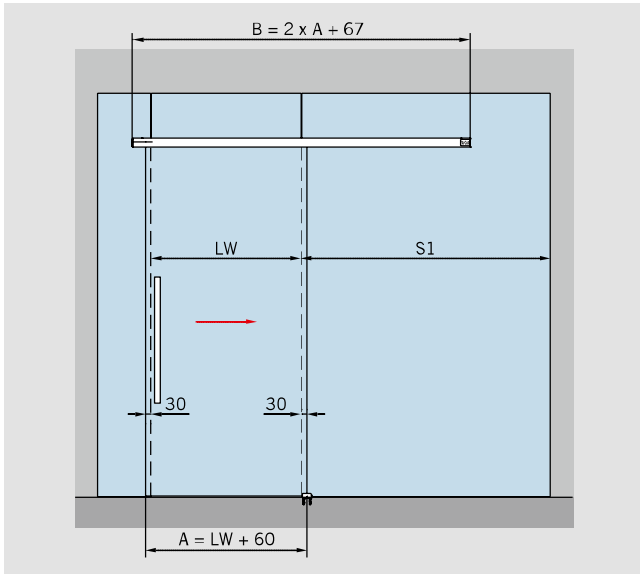
without DORMOTION

max. 2000 mm

max. 2 x 1250 mm

- A = Door width
- B = Length of track
- H = Total height
- LH = Clear opening height
- LW = Clear opening width
- TH = Door height
- u = Timber thickness
- Y = 71 - 7 - u

# TYPICAL ASSEMBLIES FIXED AT GLASS

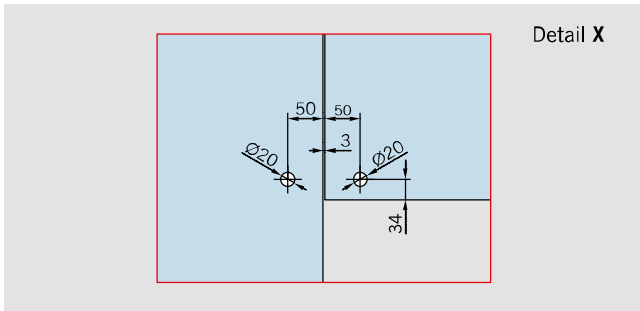


The total quantity of drillings (AB) depends on clear opening width (LW) and determines the final drilling distance (BA).

Calculation sample:  
 $BA = 2 \times (700 - 106) / 4 = 297,0 \text{ mm}$

	T	AB
$600 \leq LW \leq 800$	4	8
$800 < LW \leq 1000$	6	10
$1000 < LW \leq 1200$	8	12
$1200 < LW \leq 1500$	10	14
$1500 < LW \leq 2000$	12	16

## Glass preparation



## Features and data

For installation with one panel fixed at glass;  
 for 8 – 13.5 mm glass thickness

## Max. weight of door panels

80 kg

## Calculation of glass height

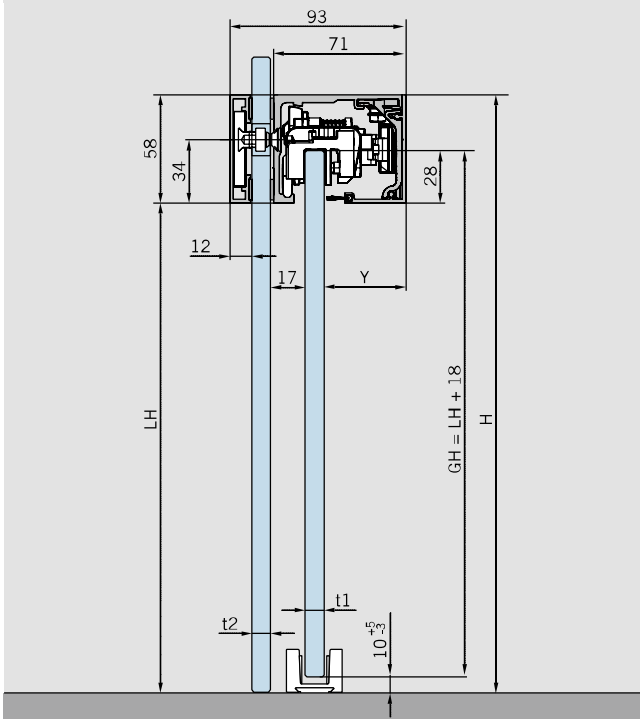
$GH = LH + 18$   
 max. 3000 mm

## Calculation of glass width

$A = LW + 60$   
 min. 990 mm with DORMOTION  
 min. 660 mm without DORMOTION  
 max. 2000 mm

## Fixed at glass

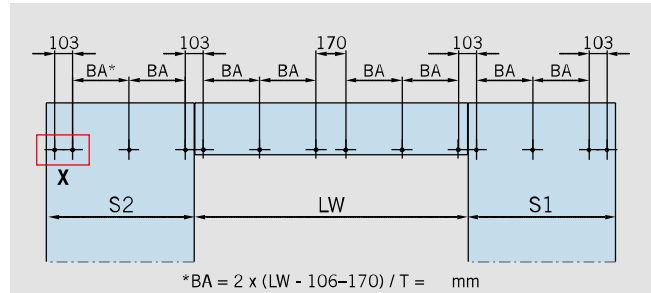
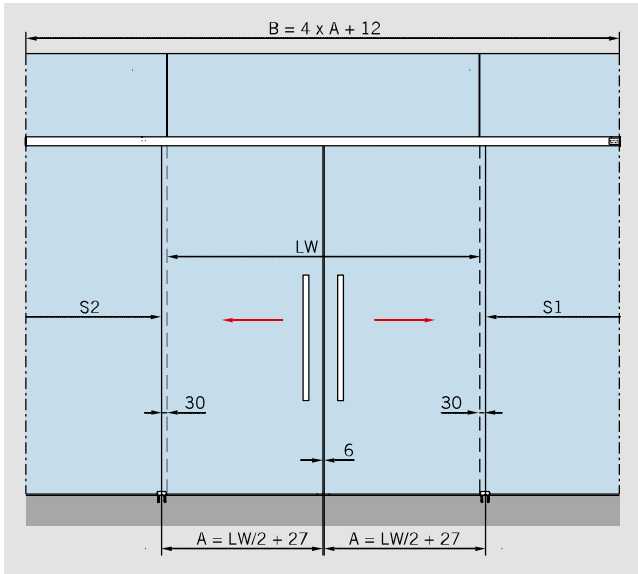
To ensure a correct and aligned mounting of the track rail, a fully supporting fixed panel must be installed.



L DORMOTION 80	
min. door width without DORMOTION	660 mm
min. clear opening width without DORMOTION	600 mm
min. door width with DORMOTION	990 mm
min. clear opening width with DORMOTION	930 mm
max. door width	2000 mm
max. clear opening width	1940 mm

- A = Glass width
- AB = Quantity of drillings
- B = Length of track
- BA = Drilling distance
- H = Total height
- LH = Clear opening height
- LW = Clear opening width
- GH = Door height
- T = Quantity of drilling distance signed with BA
- t1 = Glass thickness sliding door
- t2 = Glass thickness fixed panel (10 – 19 mm)
- Y = 71 - 17 - t1

# TYPICAL ASSEMBLIES WITH TWO DOOR PANELS FIXED AT GLASS



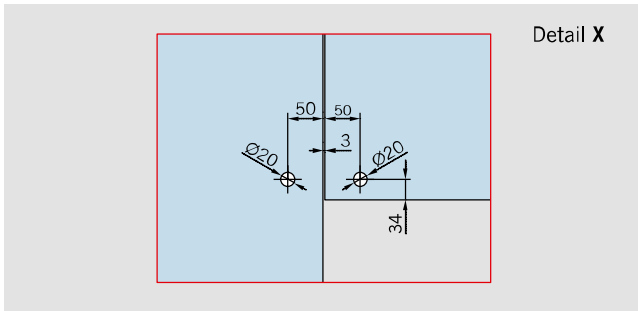
$$*BA = 2 \times (LW - 106 - 170) / T = \text{ mm}$$

The total quantity of drillings (AB) depends on clear opening width (LW) and determines the final drilling distance (BA).

	T	AB
1200 < LW ≤ 1500	8	14
1500 < LW ≤ 2000	12	18
2000 < LW ≤ 2900	16	22

Calculation sample:  
 $BA = 2 \times (1400 - 106 - 170) / 8$   
 $= 281 \text{ mm}$

## Glass preparation



## Features and data

For installation with two panel fixed at glass;  
 for 8 – 13.5 mm glass thickness

## Max. weight of door panels

80 kg

## Calculation of glass height

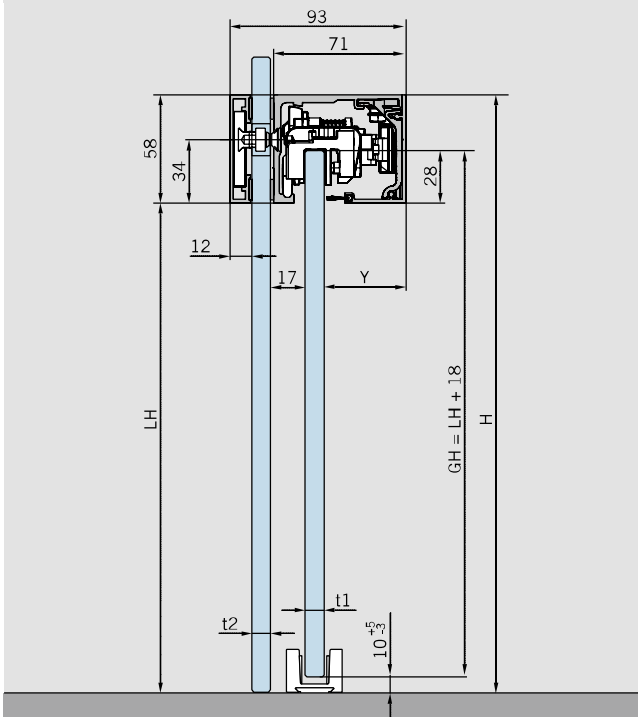
$GH = LH + 18$   
 max. 3000 mm

## Calculation of glass width

$A = LW / 2 + 27$   
 min. 990 mm with DORMOTION  
 min. 660 mm without DORMOTION  
 max. 2 x 1250 mm

## Fixed at glass

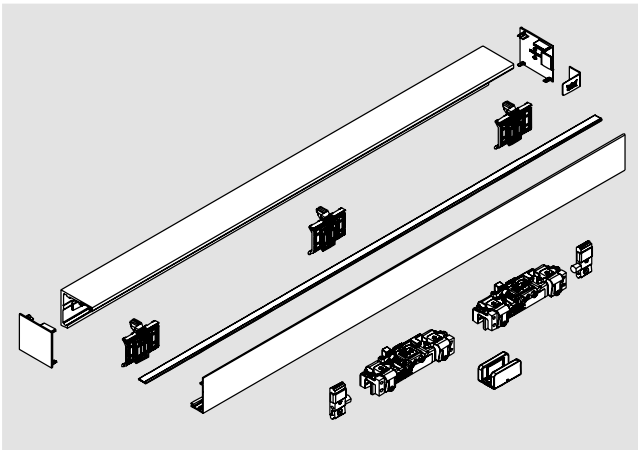
To ensure a correct and aligned mounting of the track rail, a fully supporting fixed panel must be installed.



L DORMOTION 80	
min. door width without DORMOTION	660 mm
min. clear opening width without DORMOTION	1266 mm
min. door width with DORMOTION	990 mm
min. clear opening width with DORMOTION	1926 mm
max. door width	1250 mm
max. clear opening width	2446 mm

- A = Glass width
- AB = Quantity of drillings
- B = Length of track
- BA = Drilling distance
- H = Total height
- LH = Clear opening height
- LW = Clear opening width
- GH = Door height
- T = Quantity of drilling distance signed with BA
- t1 = Glass thickness sliding door
- t2 = Glass thickness fixed panel (10 – 19 mm)
- Y = 71 - 17 - t1

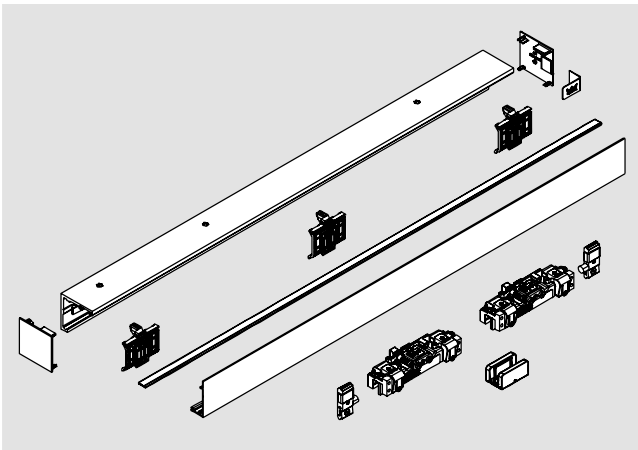
# SLIDING DOOR SETS, FOR SELECTED CLEAR OPENING WIDTH



**Comfort L  
DORMOTION 80**  
Set for wall installation  
Prepared for option  
DORMOTION,  
Incl. track profile,  
cover profile and brushes

Panel width	Profile length	Art. No.
1100	2180	<b>36.300</b>
1450	2880	<b>36.301</b>

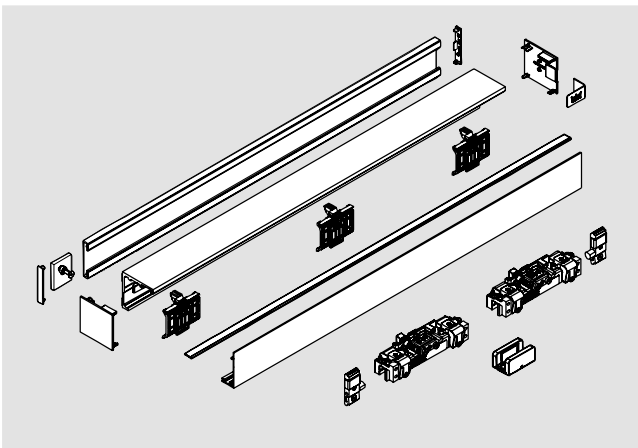
Complete accessories  
for 8 – 13.5 mm glass  
thickness, max. 80 kg



**Comfort L  
DORMOTION 80**  
Set for ceiling installation  
Prepared for option  
DORMOTION,  
Incl. track profile,  
cover profile and brushes

Panel width	Profile length	Art. No.
1100	2180	<b>36.302</b>
1450	2880	<b>36.303</b>

Complete accessories  
for 8 – 13.5 mm glass  
thickness, max. 80 kg

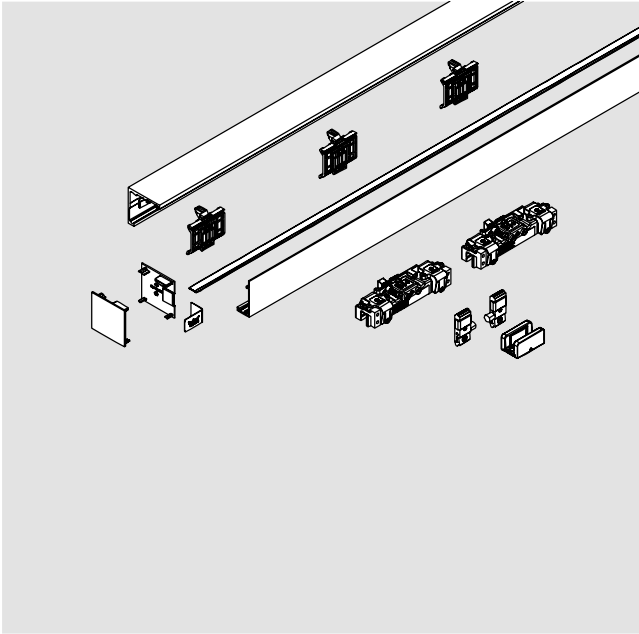


**Comfort L  
DORMOTION 80**  
Set for glass installation  
Prepared for option  
DORMOTION,  
Incl. cover profile,  
counter profile and brushes

Clear opening width	Panel width	Profile length	Art. No.
1050	1110	2287	<b>36.304</b>
1250	1310	2687	<b>36.305</b>

Complete accessories  
for 8 – 13.5 mm glass  
thickness, max. 80 kg

## SLIDING DOOR SETS, FOR INDIVIDUAL CLEAR OPENING WIDTH

**Comfort L****Art. No. 36.320****DORMOTION 80**

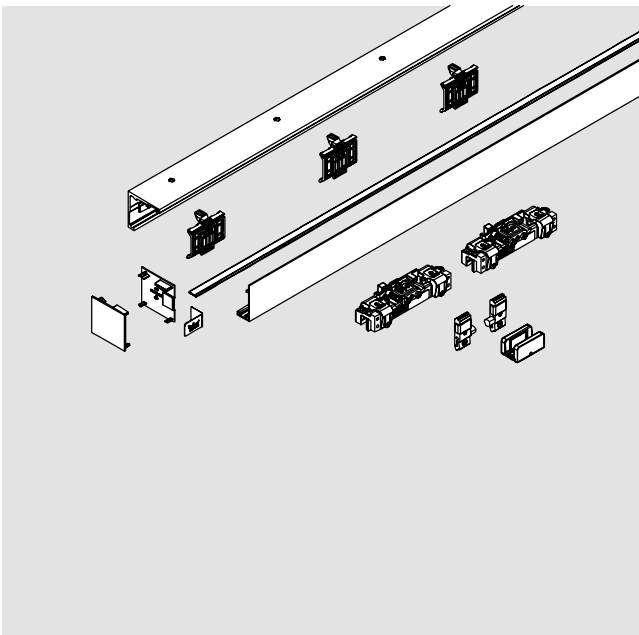
Set for wall installation  
Prepared for option DORMOTION,

Min. panel width 990 mm  
(w optional DORMOTION)  
Min. panel width 660 mm  
(w/o DORMOTION)  
Max. panel width 2000 mm  
(w optional DORMOTION)  
Max. panel width 2000 mm  
(w/o DORMOTION)

Profile length xxxx mm\*  
(max. 3980 mm)

Incl. track profile, cover profile  
and brushes

Complete accessories  
for 8 – 13,5 mm glass  
thickness, max. 80 kg

**Comfort L****Art. No. 36.321****DORMOTION 80**

Set for ceiling installation  
Prepared for option DORMOTION,

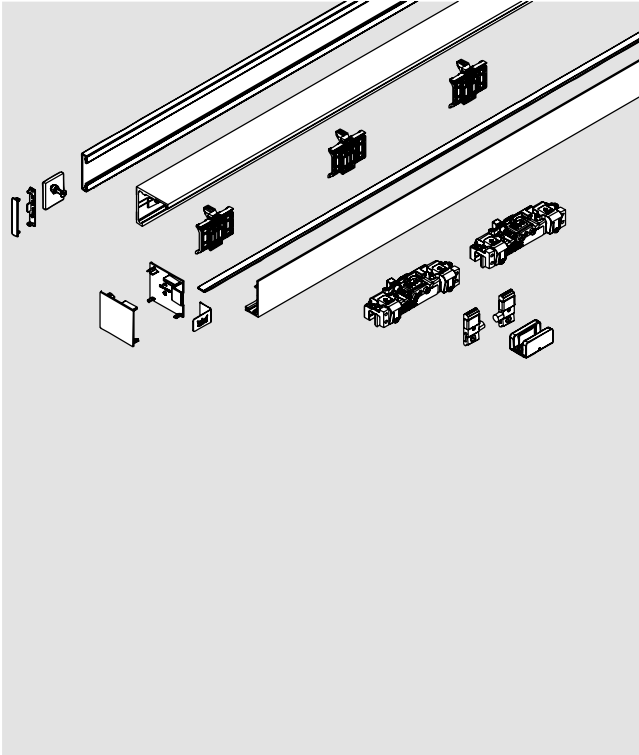
Min. panel width 990 mm  
(w optional DORMOTION)  
Min. panel width 660 mm  
(w/o DORMOTION)  
Max. panel width 2000 mm  
(w optional DORMOTION)  
Max. panel width 2000 mm  
(w/o DORMOTION)

Profile length xxxx mm\*  
(max. 3980 mm)

Incl. track profile, cover profile  
and brushes

Complete accessories  
for 8 – 13,5 mm glass  
thickness, max. 80 kg

\* to be defined by customer



**Comfort L**

**DORMOTION 80**

Set for glass installation  
Prepared for option DORMOTION,

Min. panel width 990 mm,  
min. LW 930 mm

(w optional DORMOTION)

Min. panel width 660 mm,  
min. LW 600 mm

(w/o DORMOTION)

Max. panel width 2000 mm,  
max. LW 1940 mm

(w optional DORMOTION)

Max. panel width 2000 mm,  
max. LW 1940

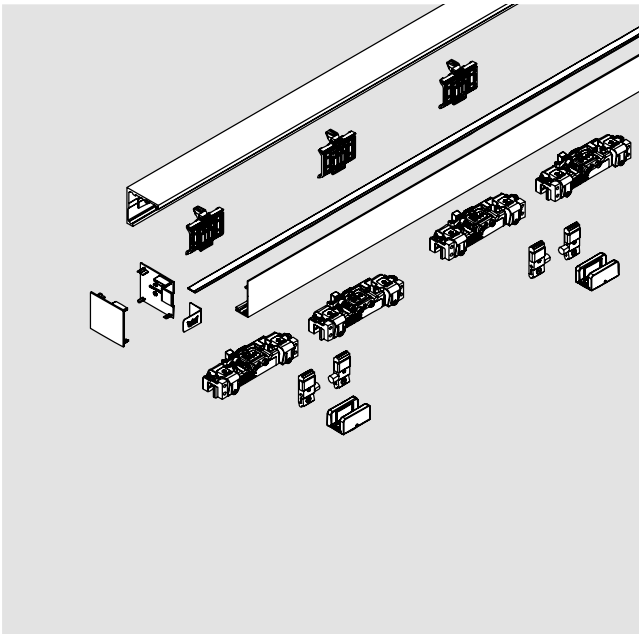
(w/o DORMOTION)

Profile length xxxx mm\*  
(max. 4067 mm)

Incl. track profile, counter profile,  
cover profile and brushes

Complete accessories  
for 8 – 13.5 mm glass  
thickness, max. 80 kg

**Art. No. 36.322**



**Comfort L**

**DORMOTION 80 / Synchro**

Set for 2-panel door,  
wall installation, fixed length

Min. panel width 990 mm  
(w optional DORMOTION)

Min. panel width 660 mm  
(w/o DORMOTION)

Max. panel width 1250 mm  
(w optional DORMOTION)

Max. panel width 1250 mm  
(w/o DORMOTION)

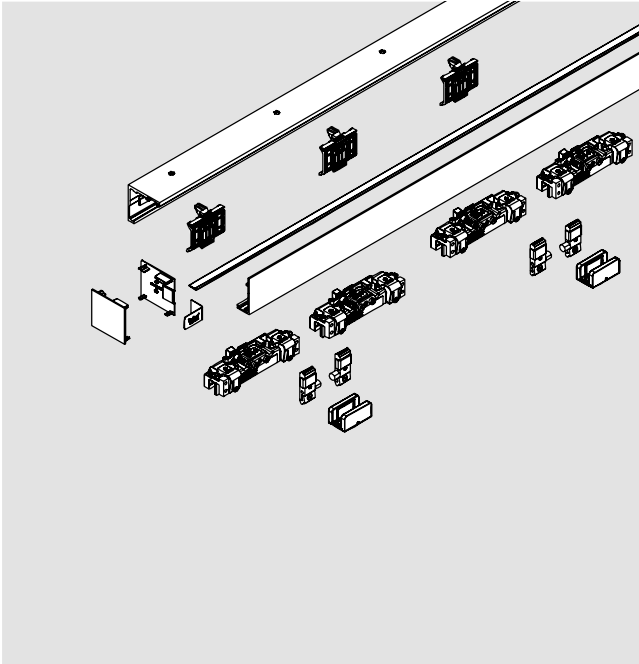
Profile length xxxx mm\*  
(max. 4956 mm)

Incl. track profile, cover profile  
and brushes

Complete accessories  
for 8 – 13.5 mm glass  
thickness, max. 80 kg

**Art. No. 36.323**

\* to be defined by customer

**Comfort L****Art. No. 36.324****DORMOTION 80 / Synchro**

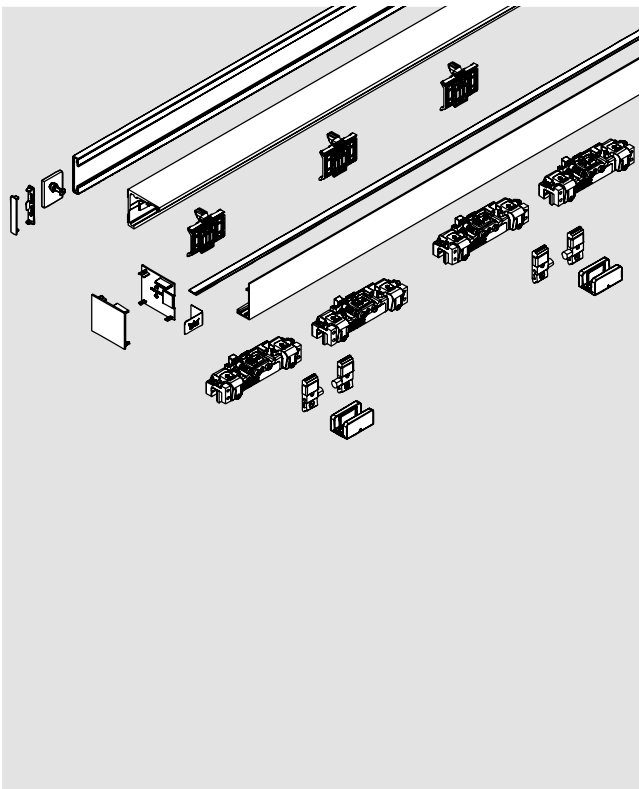
Set for 2-panel door,  
ceiling installation, fixed length  
Prepared for option DORMOTION,

Min. panel width 990 mm  
(w optional DORMOTION)  
Min. panel width 660 mm  
(w/o DORMOTION)  
Max. panel width 1250 mm  
(w optional DORMOTION)  
Max. panel width 1250 mm  
(w/o DORMOTION)

Profile length xxxx mm\*  
(max. 4956 mm)

Incl. track profile, cover profile  
and brushes

Complete accessories  
for 8 – 13,5 mm glass  
thickness, max. 80 kg

**Comfort L****Art. No. 36.325****DORMOTION 80 / Synchro**

Set for 2-panel door,  
glass installation, fixed length  
Prepared for option DORMOTION,

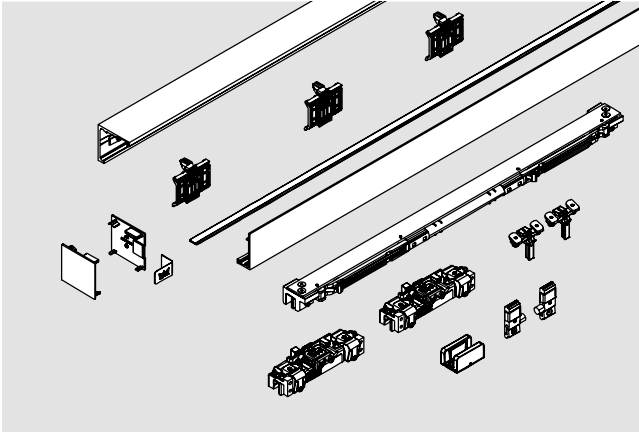
Min. panel width 990 mm,  
min. LW 1926 mm  
(w optional DORMOTION)  
Min. panel width 660 mm,  
min. LW 1266 mm  
(w/o DORMOTION)  
Max. panel width 1250 mm,  
max. LW 2446 mm  
(w optional DORMOTION)  
Max. panel width 1250 mm,  
max. LW 2446  
(w/o DORMOTION)

Profile length xxxx mm\*  
(max. 5012 mm)

Incl. track profile, counter profile,  
cover profile and brushes

Complete accessories  
for 8 – 13,5 mm glass  
thickness, max. 80 kg

\* to be defined by customer



**Comfort L**

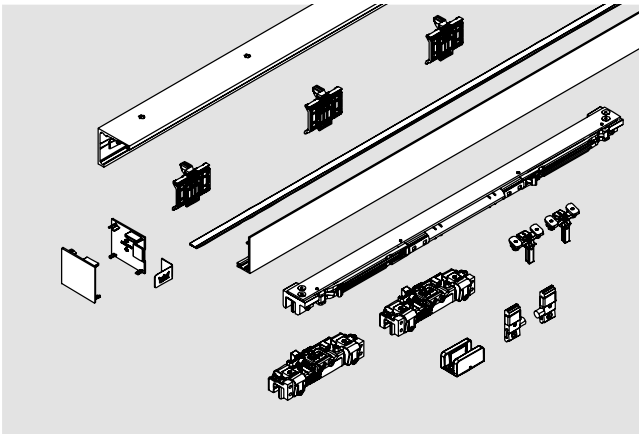
**DORMOTION 80**

Set for wall installation  
incl. DORMOTION,  
Min. panel width 990 mm,  
Max. panel width 2000 mm  
Profile length xxxx mm\*  
(max. 3980 mm)

Incl. track profile, cover profile  
and brushes

Complete accessories  
for 8 – 13.5 mm glass  
thickness, max. 80 kg

**Art. No. 36.326**



**Comfort L**

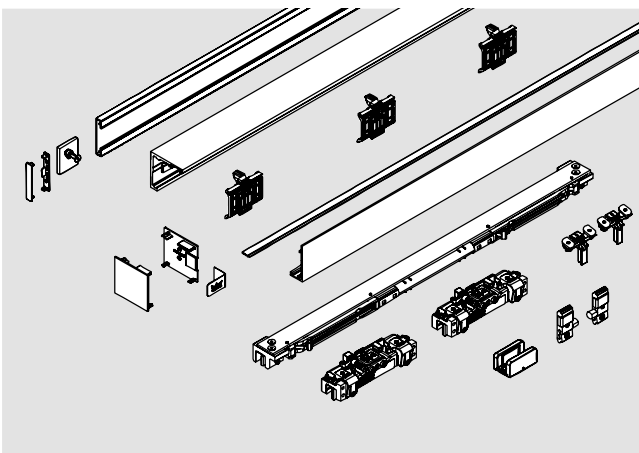
**DORMOTION 80**

Set for ceiling installation  
incl. DORMOTION,  
Min. panel width 990 mm,  
Max. panel width 2000 mm  
Profile length xxxx mm\*  
(max. 3980 mm)

Incl. track profile, cover profile  
and brushes

Complete accessories  
for 8 – 13.5 mm glass  
thickness, max. 80 kg

**Art. No. 36.327**



**Comfort L**

**DORMOTION 80**

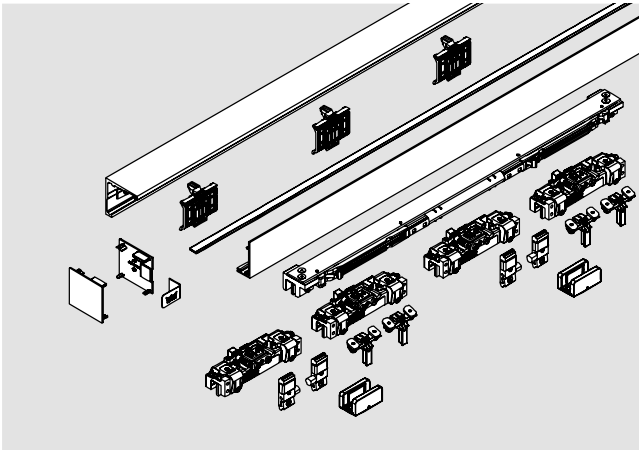
Set for glass installation  
incl. DORMOTION,  
Min. panel width 990 mm,  
Max. panel width 2000 mm  
(max. LW 1940 mm)  
Profile length xxxx mm\*  
(max. 4067 mm)

Incl. track profile, counter profile,  
cover profile and brushes

Complete accessories  
for 8 – 13.5 mm glass  
thickness, max. 80 kg

**Art. No. 36.328**

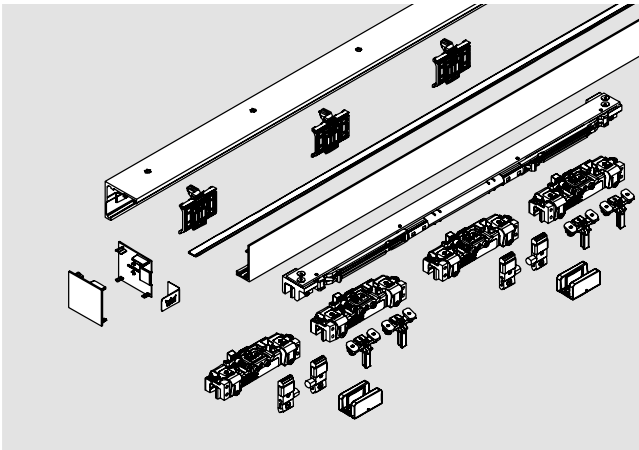
\* to be defined by customer

**Comfort L****Art. No. 36.329****DORMOTION 80 / Synchro**

Set for 2-panel door, wall installation incl. DORMOTION fixed length, min. panel width 990 mm, Max. panel width 1250 mm Profile length xxxx mm\* (max. 4956 mm)

Incl. track profile, cover profile and brushes

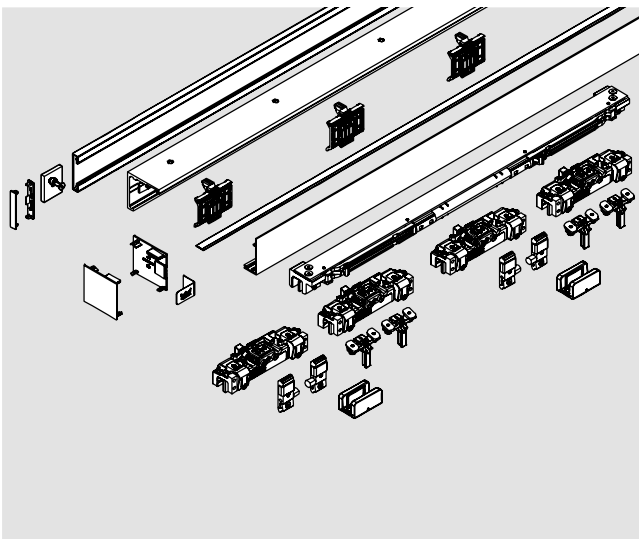
Complete accessories for 8 – 13.5 mm glass thickness, max. 80 kg

**Comfort L****Art. No. 36.330****DORMOTION 80 / Synchro**

Set for 2-panel door, ceiling installation incl. DORMOTION fixed length, min. panel width 990 mm, Max. panel width 1250 mm Profile length xxxx mm\* (max. 4956 mm)

Incl. track profile, cover profile and brushes

Complete accessories for 8 – 13.5 mm glass thickness, max. 80 kg

**Comfort L****Art. No. 36.331****DORMOTION 80 / Synchro**

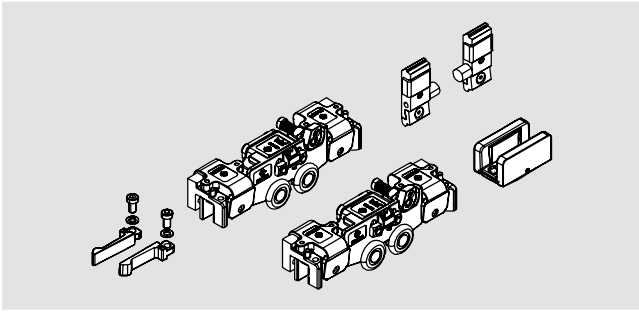
Set for 2-panel door, glass installation incl. DORMOTION fixed length, min. panel width 990 mm, Min. panel width 990 mm (min. LW 1926 mm) Max. panel width 1250 mm (max. LW 2446 mm) Profile length xxxx mm\* (max. 5012 mm)

Incl. track profile, counter profile, cover profile and brushes

Complete accessories for 8 – 13.5 mm glass thickness, max. 80 kg

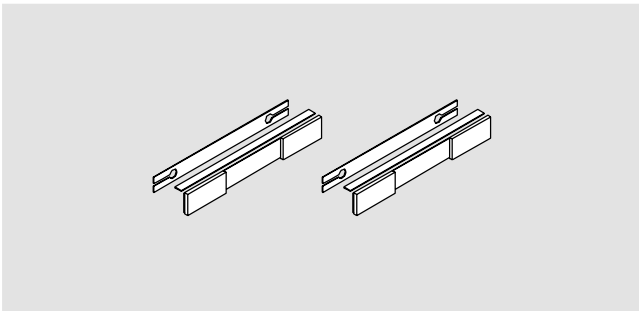
\* to be defined by customer

# COMPONENT PARTS



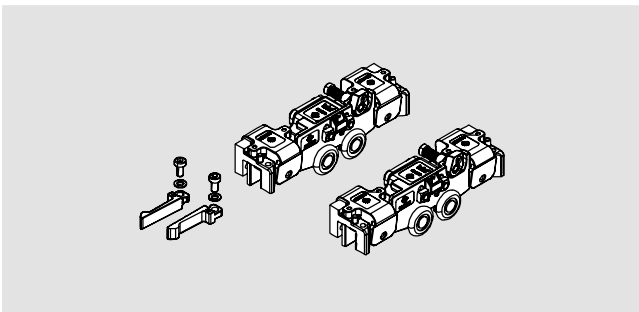
**Comfort L  
(DORMOTION 80 / Synchro)**  
Accessory set  
Consisting of: 2 clamp carriers,  
2 endstops and 1 floor guide

**Art. No. 36.349**



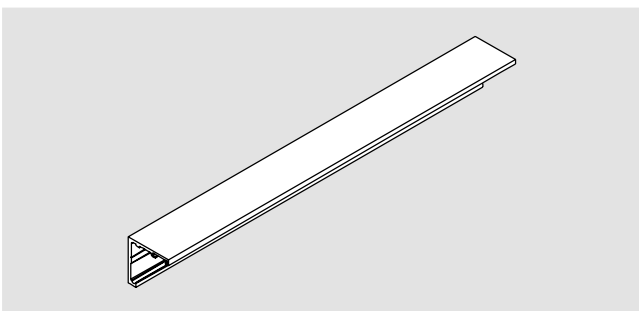
**Comfort L  
(DORMOTION 80 / Synchro)**  
Gasket set

**Art. No. 36.251**



**Comfort L  
(DORMOTION 80 / Synchro)**  
Pair roller module

**Art. No. 36.252**



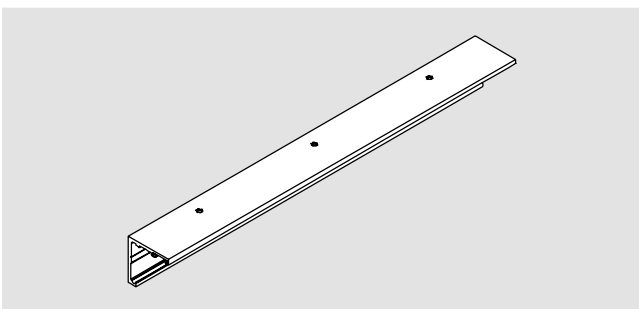
**Comfort L DORMOTION  
80 / Synchro**  
Track rail  
for wall installation

stock length 6000 mm

**Art. No. 36.350**

fixed length xxxx mm\*

**Art. No. 36.351**



**Comfort L DORMOTION  
80 / Synchro**  
Track rail  
for ceiling installation

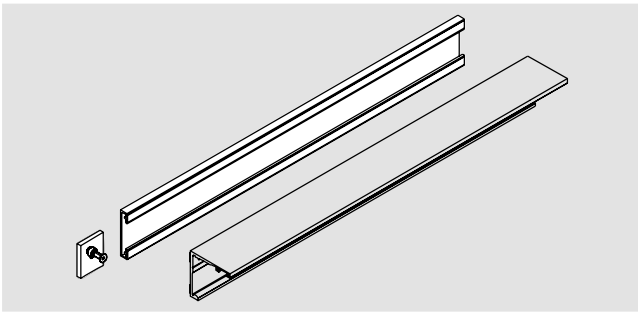
stock length 6000 mm

**Art. No. 36.352**

fixed length xxxx mm\*

**Art. No. 36.353**

\* to be defined by customer



**MUTO Comfort L**

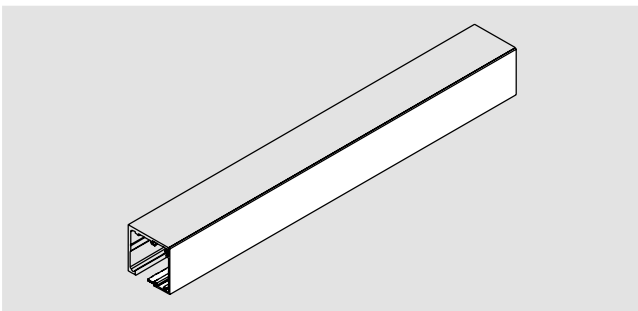
Counter profile  
for installation at glass

stock length 6000 mm

**Art. No. 36.xxx** (on request)

fixed length xxxx mm\*

**Art. No. 36.xxx** (on request)



**Comfort L DORMOTION  
80 / Synchro**

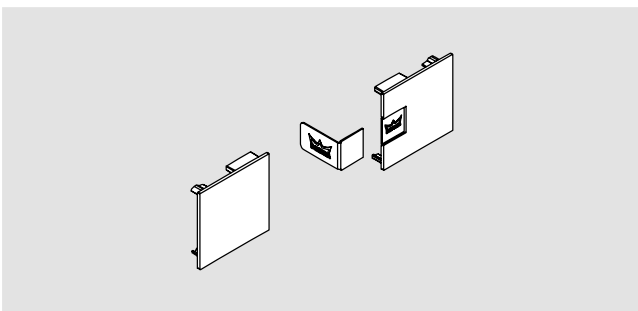
Cover profile  
front cover

stock length 6000 mm

**Art. No. 36.359**

fixed length xxxx mm\*

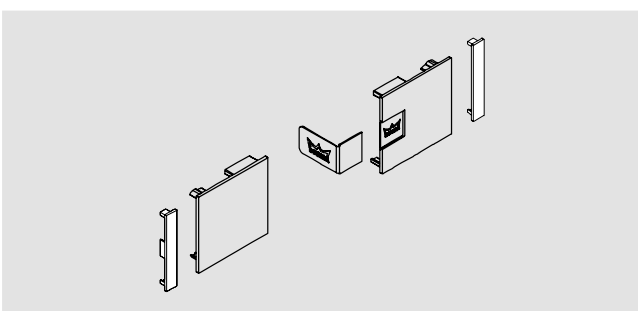
**Art. No. 36.360**



**Comfort L DORMOTION  
80 / Synchro**

Set endcaps  
for wall and ceiling installation

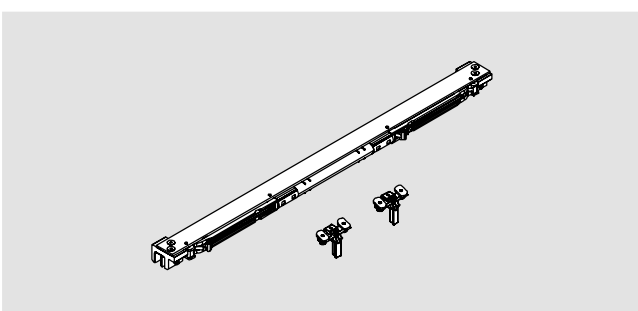
**Art. No. 36.354**



**Comfort L  
(DORMOTION 80 / Synchro)**

Set endcaps  
for installation at glass

**Art. No. 36.260**

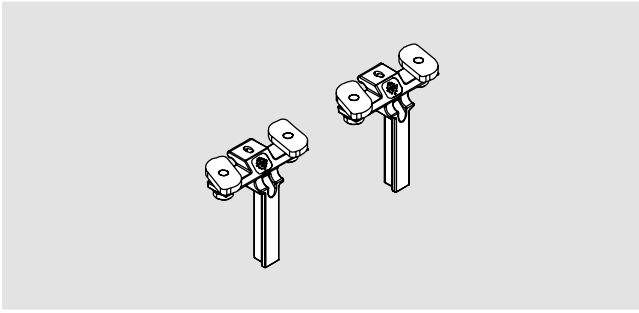


**Comfort L DORMOTION  
80 / Synchro**

DORMOTION Unit  
spring cushioning unit  
for max. 80 kg  
with complete accessories

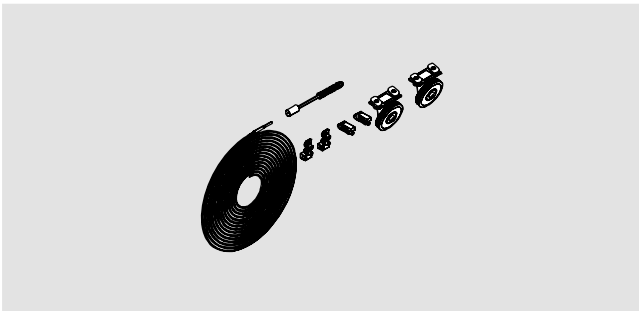
**Art. No. 36.355**

\* to be defined by customer



**Comfort L DORMOTION  
80 / Synchro**  
DORMOTION Starter unit

**Art. No. 36.356**



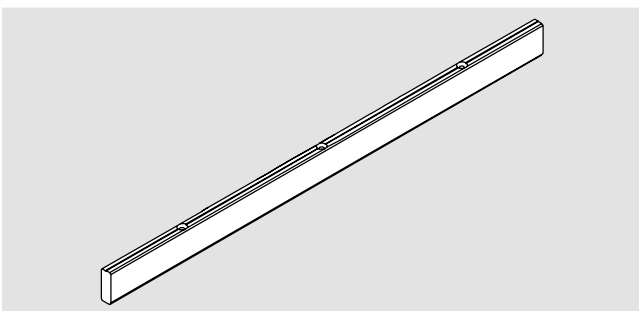
**Comfort L DORMOTION  
80 / Synchro**  
Synchro set (wire, pulley etc.)  
with complete accessories

**Art. No. 36.357**



**Comfort XL DORMOTION  
80 / 150 / Synchro**  
Wire for Synchro set

**Art. No. 36.358**



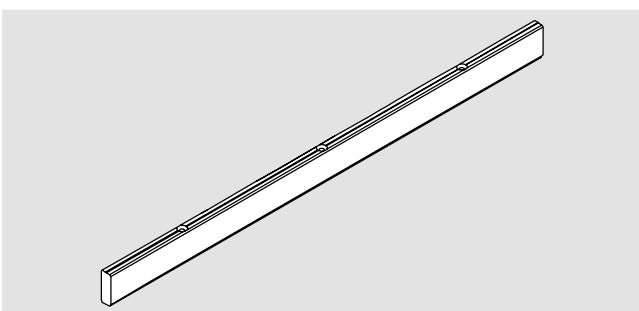
**Comfort L  
DORMOTION 80 / Synchro)**  
Timber adapter set  
Profile 12.5 x 36 mm,  
incl. accessory set

1460 mm

**Art. No. 36.261**

fixed length xxxx mm\*,  
max. 2000 mm

**Art. No. 36.262**

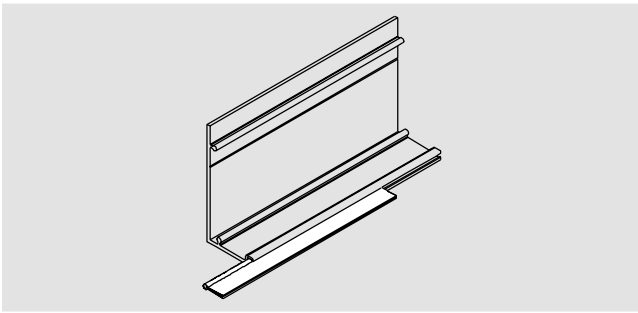


**Comfort L  
(DORMOTION 80 / Synchro)**  
Timber adapter profile  
Profile 12.5 x 36 mm

stock length 6000 mm

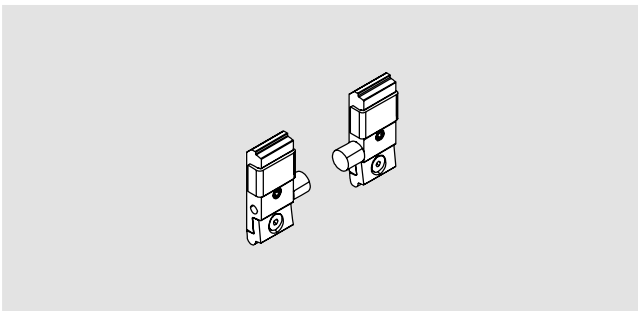
**Art. No. 36.263**

\* to be defined by customer



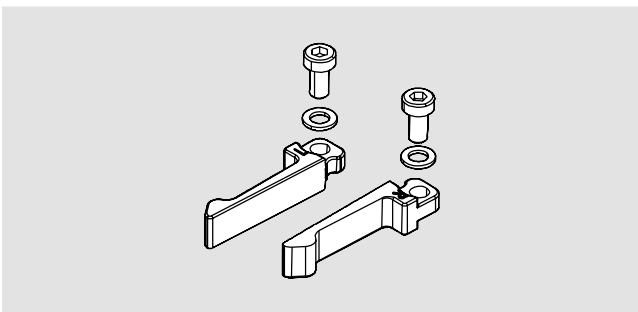
**MUTO Comfort**  
Brush profile  
for 8 – 10 mm  
and 12 – 13.5 mm glass

**Art. No. 36.265**



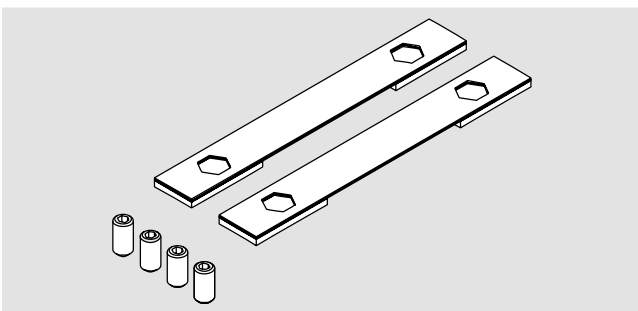
**Comfort L  
(DORMOTION 80 / Synchro)**  
Endstop set  
2 pieces

**Art. No. 36.267**



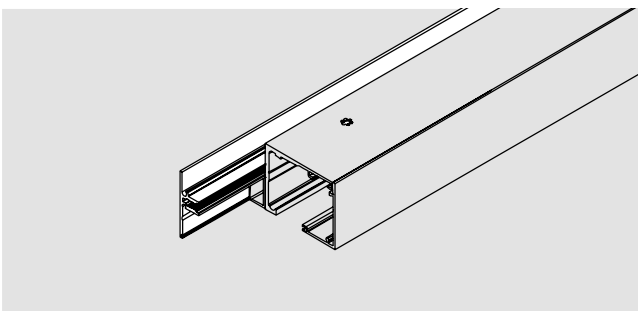
**Comfort L  
(DORMOTION 80 / Synchro)**  
Hook set  
2 pieces

**Art. No. 36.269**



**Comfort L  
(DORMOTION 80 / Synchro)**  
LSG set  
Accessory set for use with LSG  
for one pair of clamp carrier

**Art. No. 36.270**



**Comfort L  
(DORMOTION 80 / Synchro)**  
Side panel profile  
for glass connection on top,  
58 mm height,  
complete with all gaskets,  
Profile for 8 – 13.5 mm glass

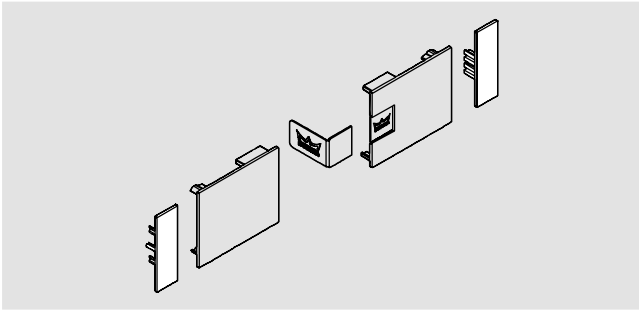
stock length 6000 mm

**Art. No. 36.271**

fixed length xxxx mm\*

**Art. No. 36.274**

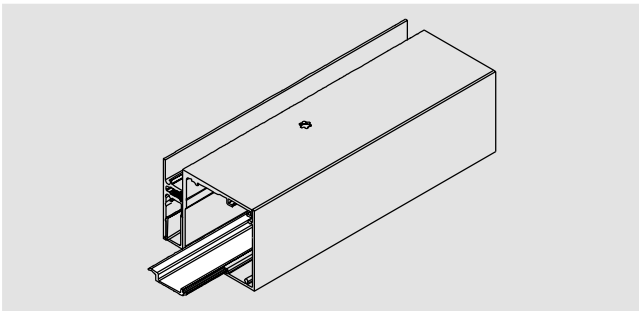
\* to be defined by customer



**Comfort L  
(DORMOTION 80 / Synchro)**

Set endcaps  
for side panel profile,  
58 mm height

**Art. No. 36.273**



**MUTO Comfort**

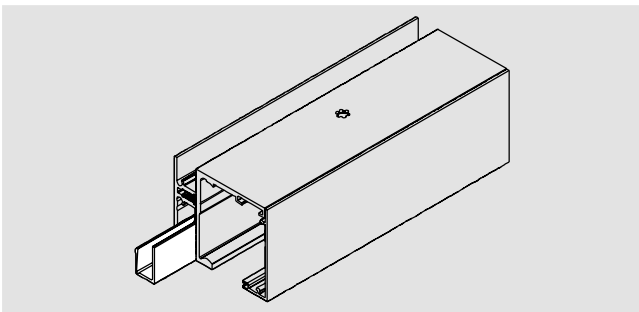
View protection profile  
for side panel profile,  
58 mm + 69 mm height

stock length 6000 mm

**Art. No. 36.800**

fixed length xxxx mm\*

**Art. No. 36.801**



**MUTO Comfort**

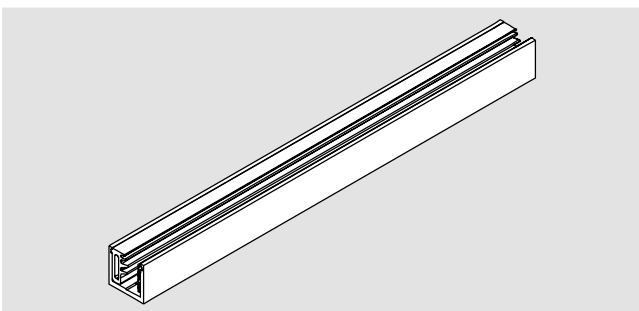
Filling profile  
for side panel profile,  
58 mm + 69 mm height

stock length 6000 mm

**Art. No. 36.802**

fixed length xxxx mm\*

**Art. No. 36.803**



**MUTO Comfort**

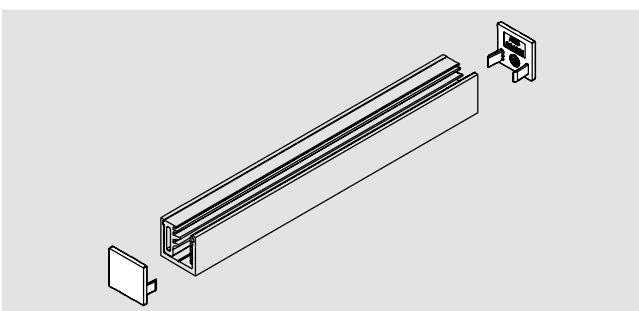
Floor profile  
for side panel fixing,  
complete with all gaskets,  
Profile for 8 – 13.5 mm glass

stock length 6000 mm

**Art. No. 36.810**

fixed length xxxx mm\*

**Art. No. 36.811**

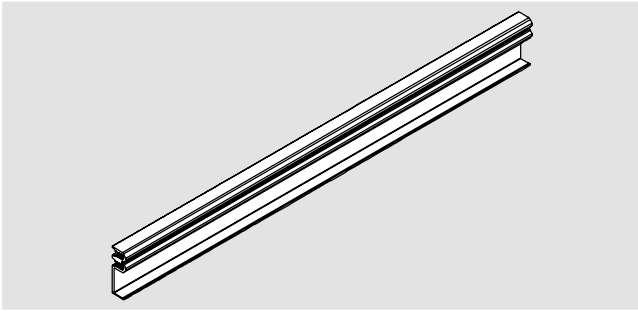


**MUTO Comfort**

Set endcaps  
for floor profile - side panel  
fixing

**Art. No. 36.812**

\* to be defined by customer



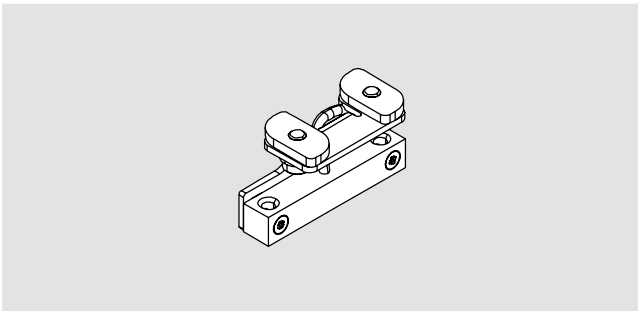
**MUTO Comfort**  
 Connecting profile  
 for false ceilings,  
 incl. accessory set, applicable  
 for MUTO Comfort Systems:  
 80, 150, Telescopic, Synchro

stock length 6000 mm

**Art. No. 36.821**

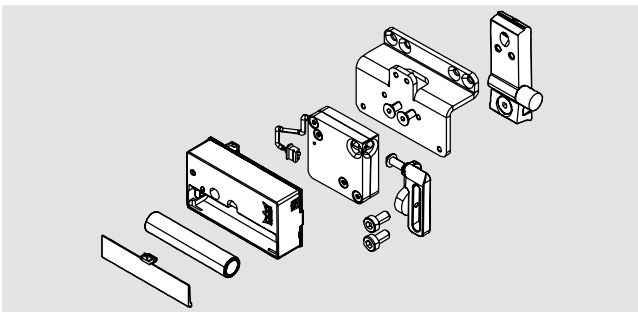
fixed length xxxx mm\*

**Art. No. 36.820**



**MUTO Comfort**  
 Status-Indicator set  
 With complete accessory  
 (Sensor, cable etc.)

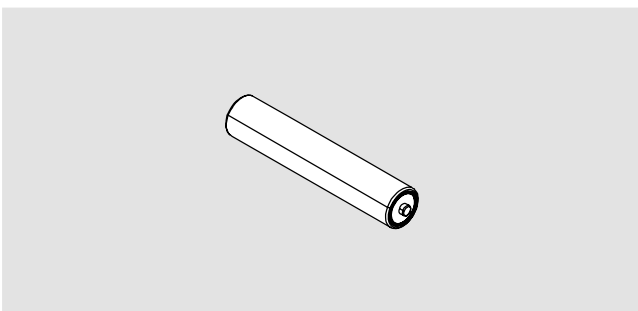
**Art. No. 36.840**



**MUTO Comfort**  
 Set locking device complete  
 With complete accessory:  
 Locking-mechanic, electronic,  
 installation-base etc.

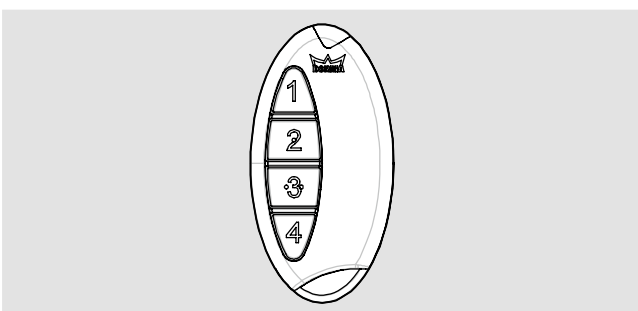
**Art. No. 36.842**

(only in combination  
 with DORMOTION)



**MUTO Comfort**  
 Battery  
 for locking device

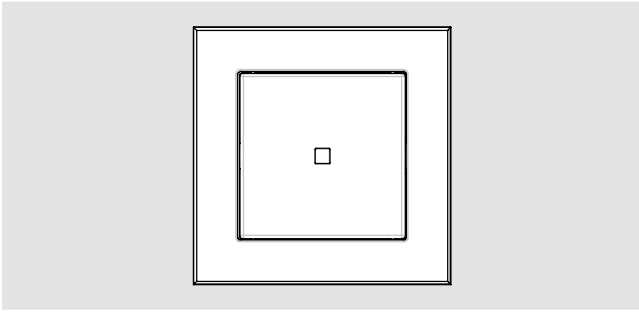
**Art. No. 36.845**



**MUTO**  
 Locking device  
 Portable radio remote control

**Art. No. 36.848**

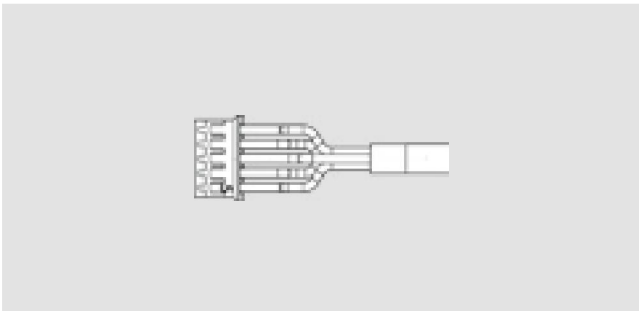
\* to be defined by customer



**MUTO**

Locking device  
Wall switch incl. radio remote  
control

**Art. No. 36.849**



**MUTO**

Locking device  
Single cable set for indicator  
and low battery warning

**Art. No. 36.855**