

The background image shows a modern interior space with a large, light-colored sliding door system. The room has a white ceiling with recessed lighting, a large window with blue curtains, and a white wall. A dark wooden bench is visible in the foreground. The overall aesthetic is clean and minimalist.

# MULTI FUNCTIONAL MANUAL SLIDING DOOR SYSTEM

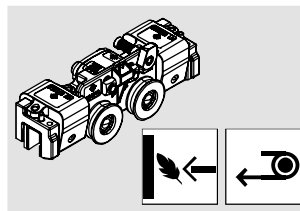
---

MUTO Comfort

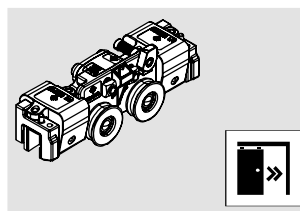


# CONTENTS

## MUTO Comfort



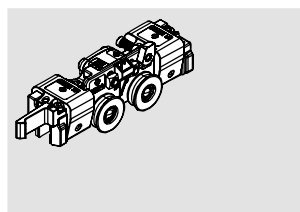
**Comfort XL**  
**DORMOTION 80 / 150 / Synchro**  
14 – 33



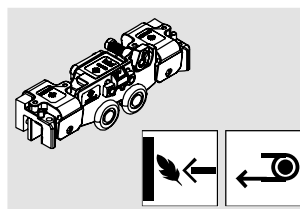
**Comfort XL**  
**Self-Closing**  
34 – 51

Under construction  
Available from March 2016

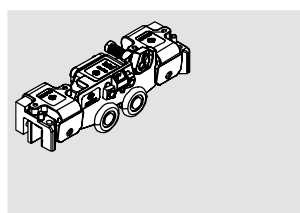
**Comfort XL**  
**Telescopic**  
52 – 53



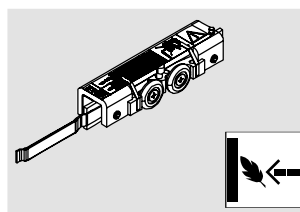
**Comfort XL 150**  
54 – 69



**Comfort L**  
**DORMOTION 80 / Synchro**  
70 – 90



**Comfort L 80**  
92 – 107



**Comfort M**  
**DORMOTION 50**  
108 – 113

**General accessories**  
114 – 119

**Safety-related information**  
121

## MUTO COMFORT

---

### **General information**

6 – 13

### **Comfort XL**

#### **DORMOTION 80 / 150 / Synchro**

– Typical assemblies

– Fitting modules

– Component parts

14 – 33

### **Comfort XL**

#### **Self-Closing**

– Typical assemblies

– Fitting modules

– Component parts

34 – 51

### **Comfort XL**

#### **Telescopic**

Under construction

Available from November 2015

52

### **Comfort XL 150**

– Typical assemblies

– Fitting modules

– Component parts

54 – 69

### **Comfort L**

#### **DORMOTION 80 / Synchro**

– Typical assemblies

– Fitting modules

– Component parts

70 – 90

### **Comfort L 80**

– Typical assemblies

– Fitting modules

– Component parts

92 – 107

### **Comfort M**

#### **DORMOTION 50**

– Typical assemblies

– Fitting modules

– Component parts

108 – 113



# MAJORING IN CONVENIENCE

## MUTO Comfort

This product range for glass doors comes with high convenience options for the user and a variety of assembly designs. With the appropriate adapter also timber doors can be used.

## User friendly options

- Unpowered Self-Closing action



The following three options are even available as retrofit-sets:

- Independent concealed locking with electromechanical lock (battery powered)

- Status indicator connecting with your facility management
- DORMOTION damping mechanism without glass preparation



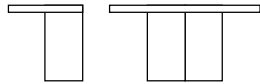
Product variant	MUTO Comfort XL DORMOTION 80 / 150	MUTO Comfort XL Self-Closing	MUTO Comfort XL Telescopic
Track dimensions	<input type="checkbox"/> W = 72 mm H = 69 mm	<input type="checkbox"/> W = 100 mm H = 69 mm	<input type="checkbox"/> W = 125 mm H = 69 mm
Track dimensions + optional side panel	<input type="checkbox"/> W = 91 mm H = 69 mm	<input type="checkbox"/> W = 119 mm H = 69 mm	<input type="checkbox"/> W = 144 mm H = 69 mm
<b>Basic description</b>			
Max. gap to wall (glass door)	20 mm	20 mm	17 mm
Max. gap to wall (timber door, thickness ≤ 30 mm)	7 mm	7 mm	7 mm
Max. gap to wall (timber door, thickness > 30 mm)	7 mm	7 mm	7 mm
Glass thickness	8 – 13.5 mm	8 – 13.5 mm	8 – 13.5 mm
Material thickness (timber)	≤ 50 mm	≤ 50 mm	≤ 50 mm
Installations	Wall, glass, ceiling	Wall, glass, ceiling	Wall, glass, ceiling
Door height	≤ 3,000 mm	≤ 3,000 mm	≤ 3,000 mm
Door width	≤ 2,500 mm	≤ 1,500 mm	≤ 1,200 mm
Door height adjustment	+ / - 5 mm	+ / - 5 mm	+ 5 mm / - 3 mm
Corrosion EN 1670	Class 4	Class 4	Class 4
Door cycles	≥ 200,000	≥ 200,000	≥ 200,000
DIN EN 1527	●	●	●
Max. door weight/single door	150 kg	120 kg	2 x 80 kg
Max. door weight/double door	2 x 150 kg	2 x 120 kg	4 x 80 kg
Easy installation	●	●	●
Prepared for timber	○	○	○
Prepared for LSG	●	●	●
<b>Functionalities</b>			
DORMOTION	● No glass preparation	● No glass preparation	○ No glass preparation
Synchro for 2 door leaves	○ <sup>1)</sup>	–	–
Status indicator	○	○	○
Concealed EM locking	○	○	○
Installation flush junction	○	○	○
Self-Closing	–	●	–
<b>Summary</b>	For 80 / 150 kg doors, most extras	Self-Closing version for 120 kg doors, most extras	Telescopic version for 80 kg panels, most extras

● yes – no ○ optional  1 door panel  2 door panels with Synchro  1 or 2 door panels with Telescopic

1) Synchro with DORMOTION is only possible with DORMOTION XL 80 & DORMOTION L 80 systems

**Variants**

- Telescopic – wide openings with small panels
- Synchro – moving both panels of a double door synchronously either toward each other (closing) or from each other (opening) when just one panel is moved by hand.
- Wall, glass and ceiling installations possible
- For different panel weights (max. 150 kg)
- Laminated safety glass possible, without glass preparation



MUTO Comfort XL 150	MUTO Comfort L DORMOTION 80	MUTO Comfort L 80	MUTO Comfort M DORMOTION 50
<input type="checkbox"/> W = 62 mm H = 69 mm	<input type="checkbox"/> W = 71 mm H = 58 mm	<input type="checkbox"/> W = 61 mm H = 58 mm	<input type="checkbox"/> W = 57 mm H = 58 mm
<input type="checkbox"/> W = 81 mm H = 69 mm	<input type="checkbox"/> W = 90 mm H = 58 mm	<input type="checkbox"/> W = 80 mm H = 58 mm	-
20 mm	17 mm	17 mm	21.5 – 23.5 mm
7 mm	7 mm	7 mm	7 mm
7 mm	7 mm	7 mm	7 mm
8 – 13.5 mm	8 – 13.5 mm	8 – 13.5 mm	8 – 10 mm
≤ 50 mm	≤ 50 mm	≤ 50 mm	≤ 50 mm
Wall, glass, ceiling	Wall, glass, ceiling	Wall, glass, ceiling	Wall, ceiling
≤ 3,000 mm	≤ 3,000 mm	≤ 3,000 mm	≤ 2,500 mm
≤ 2,500 mm	≤ 2,000 mm	≤ 2,000 mm	≤ 1,300 mm
+ / - 5 mm	+ 5 mm / - 3 mm	+ 5 mm / - 3 mm	+ 2 mm / - 2 mm
Class 4	Class 4	Class 4	Class 2
≥ 100,000	≥ 100,000	≥ 100,000	≥ 100,000
●	●	●	●
150 kg	80 kg	80 kg	50 kg
2 x 150 kg	2 x 80 kg	2 x 80 kg	-
●	●	●	●
○	○	○	○
●	●	●	-
-	○ No glass preparation <sup>2)</sup>	-	○ No glass preparation <sup>2)</sup>
-	○ <sup>1)</sup>	-	-
-	○	-	-
-	○	-	-
○	○	○	-
-	-	-	-
For extra heavy doors, no extras	For 80 kg doors, most extras	For 80 kg doors, no extras	For 50 kg doors, DORMOTION available

● yes – no ○ optional

1) Synchro with DORMOTION is only possible with DORMOTION XL 80 & DORMOTION L 80 systems  
 2) DORMOTION unit to be ordered separately

# HOW TO COMPOUND THE DORMA ARTICLE NUMBER

Illustrated the example of MUTO Comfort M DORMOTION 50, set for wall installation, surface SILVER N 600 – Alumin. Silver (F150)

Complete article number: 8.36.100.150.99

Code	8	36	100	150	99
Meaning for this part of the code in general	Product category	Product group	Article definition	Surface finish	Article status
In this special case	DORMA glass product	Manual sliding door systems MUTO Comfort	MUTO Comfort M DORMOTION 50, set wall installation	Silver N 600 Satin – Alumin. Silver	Salable article

The short version used in this technical documentation only shows product group and article definition. In our example: 36.100  
 For all articles shown in this catalogue the codes 8 (DORMA glass product) and 99 (salable article) remain unchanged. The other parts of the code are variable depending on the particular article and finish.

Art. No.	8.36.xxx. xxx .99	Art. No.	8.36.xxx. xxx .99
Alumin. Silver	<b>150</b>	Alumin. special anodized	<b>199</b>
Alumin. Dark Niro	<b>157</b>	Alumin. special color	<b>399</b>
Alumin. White	<b>350</b>		

# GENERAL INFORMATION MUTO COMFORT

## MUTO Comfort

The MUTO system impresses by virtue of its compact elegance and the wide functionality it offers, enabling enhanced user-friendliness in a sliding door system: Smooth damping in the endpositions of the door, power-free Self-Closing, integrated electromechanical lock and a

status indicator enabling the door to be monitored from anywhere in the building.

### Weight classes

- 50 kg
- 80 kg
- 120 kg
- 150 kg

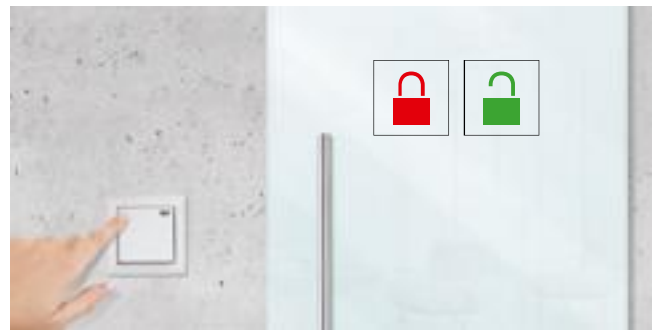
## Activity rate, Longevity

≥ 100,000 cycles	≥ 200,000 cycles
50 kg variant	150 kg variant
80 kg variant	Self-Closing Variant 120 kg
	Telescopic

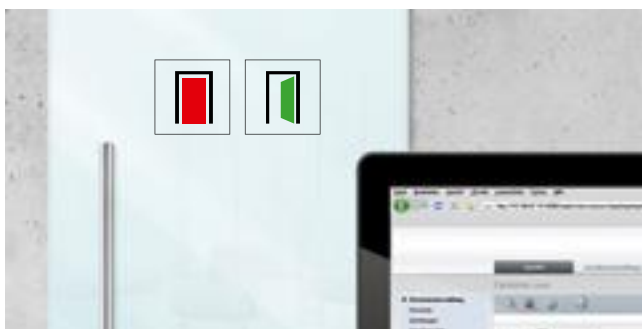
## DORMOTION – the elegant damping mechanism



## Integrated electromechanical lock – discretion assured



## Status indicator – everything under control



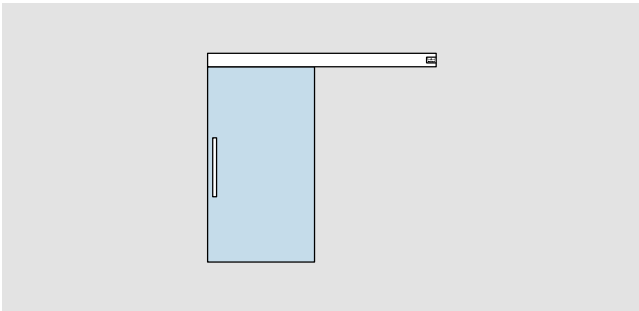
## Self-Closing – hassle-free



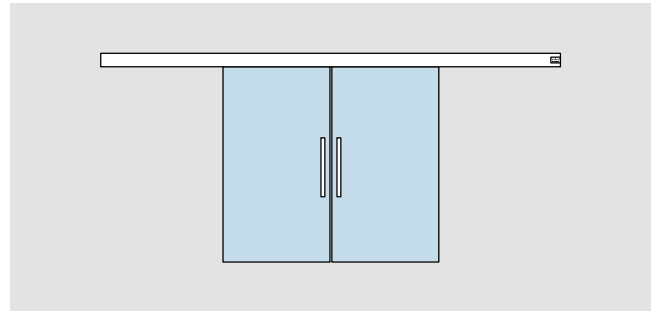


# INSTALLATIONS

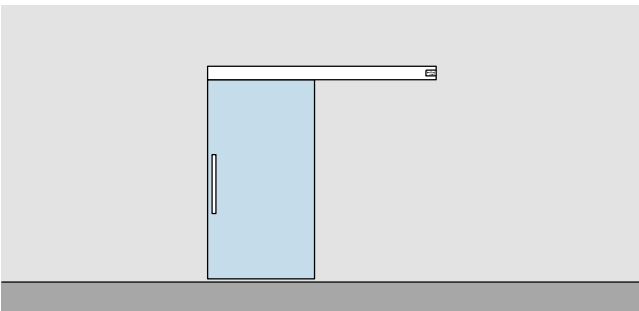
With one sliding panel



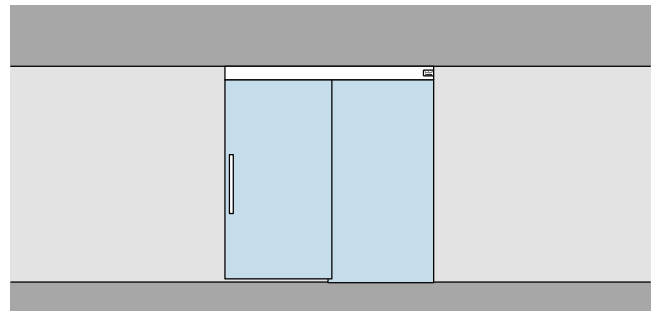
With two sliding panels



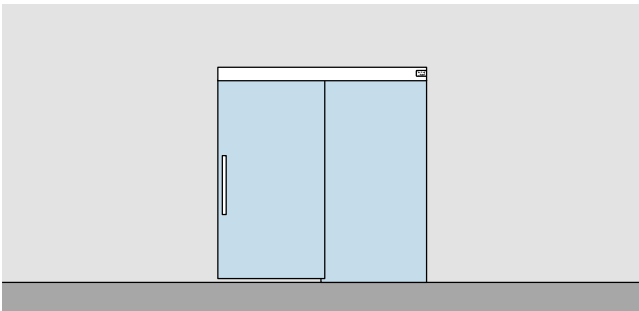
Fixed at wall



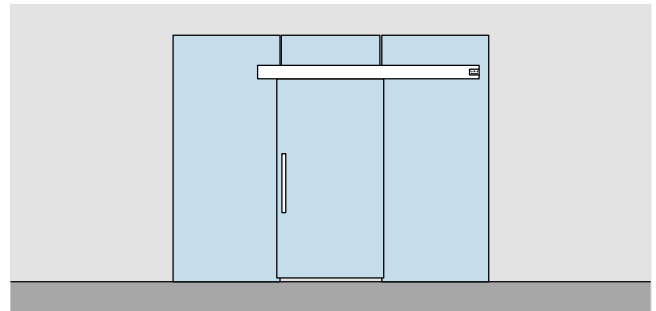
Fixed at ceiling with optional sidelight



Fixed at transom with sidelight

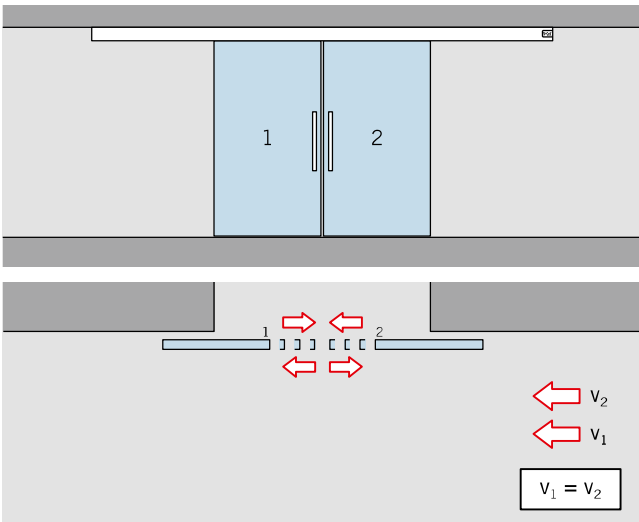


Fixed at glass

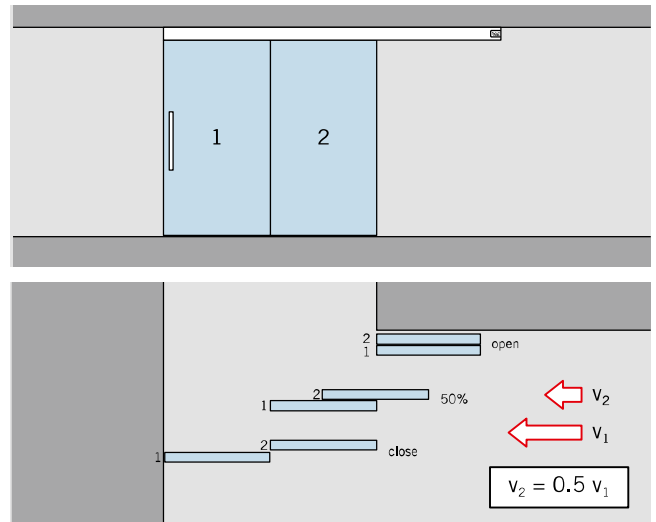


# FUNCTIONALITIES

Synchro

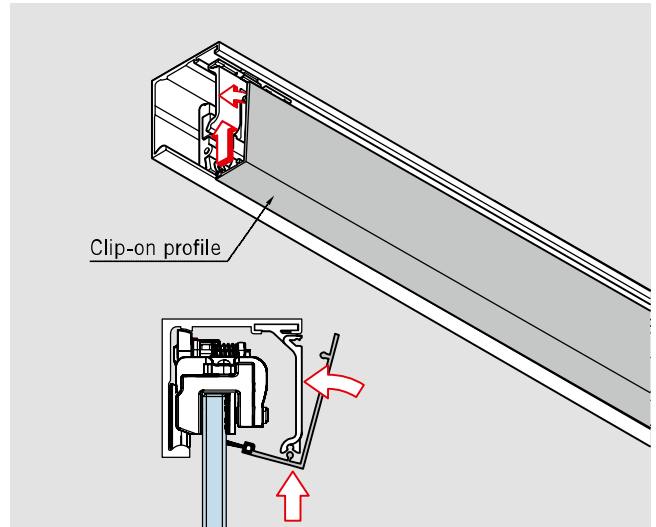
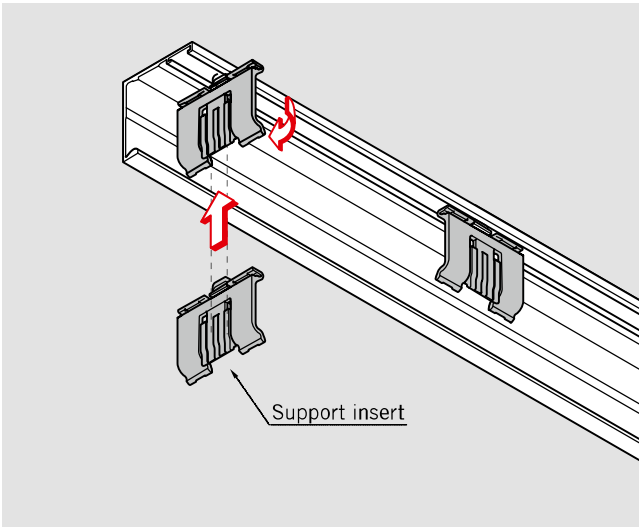


Telescopic

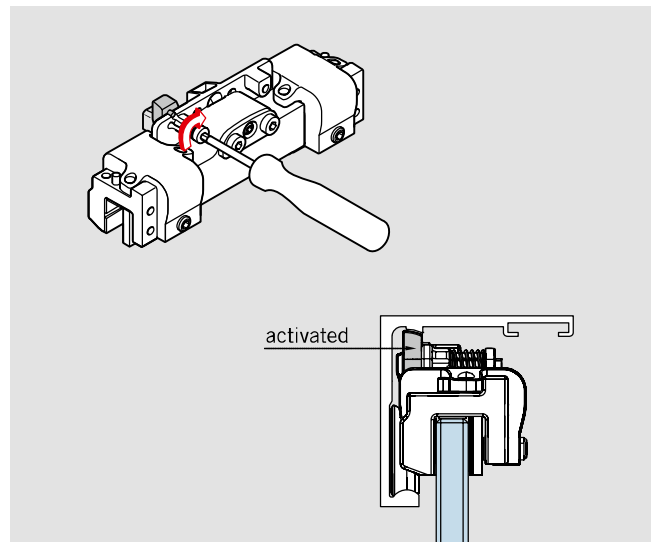
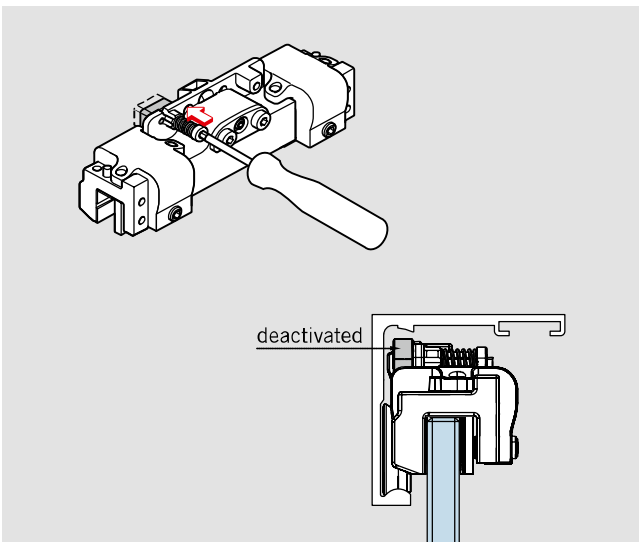


# ADVANTAGES AT INSTALLATION

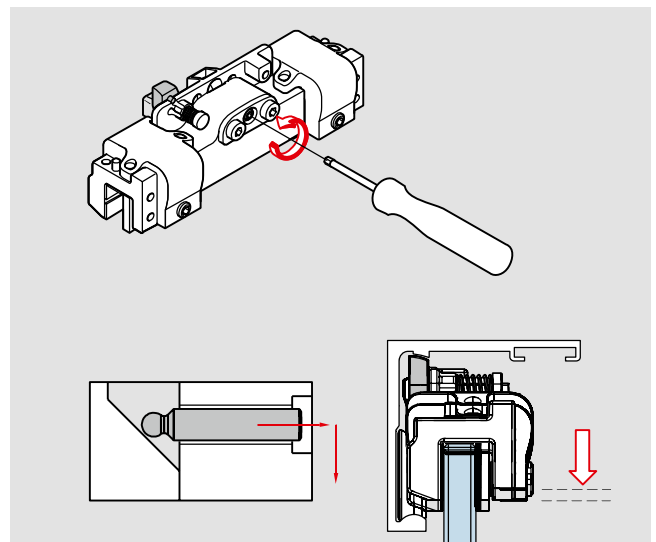
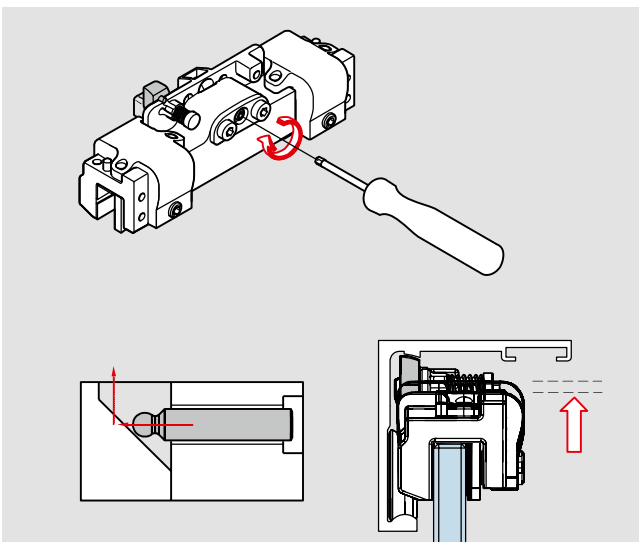
## Cover profile



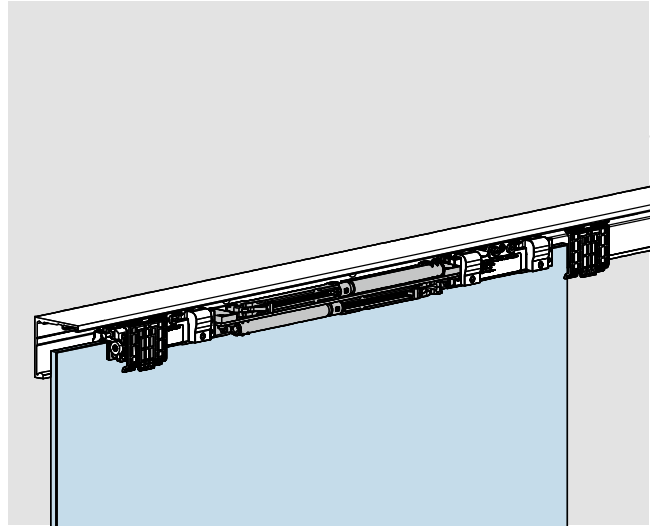
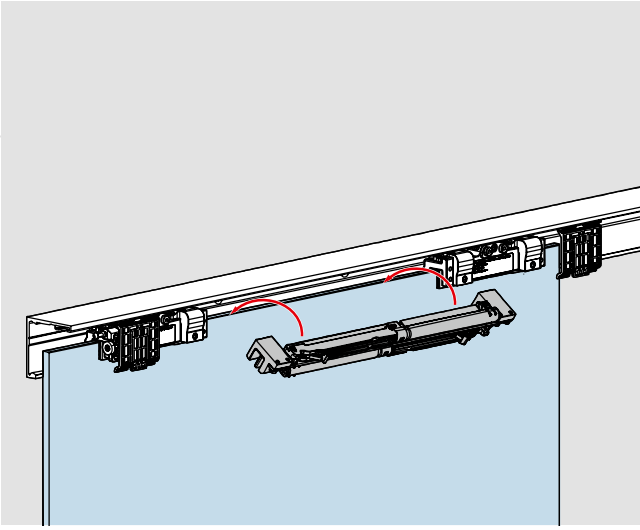
## Anti-Jump device



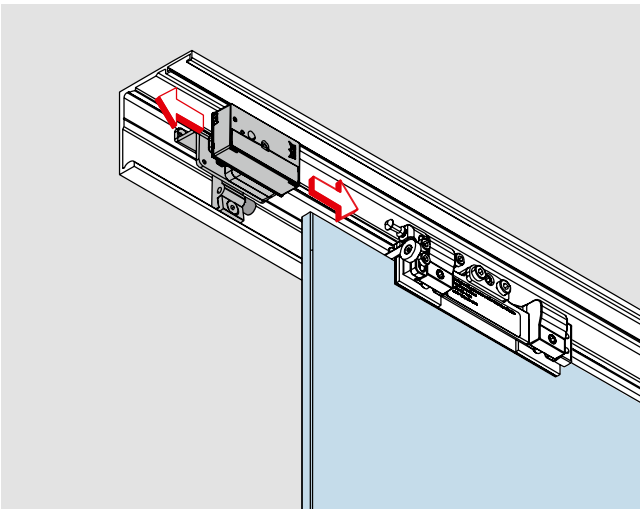
## Height adjustment



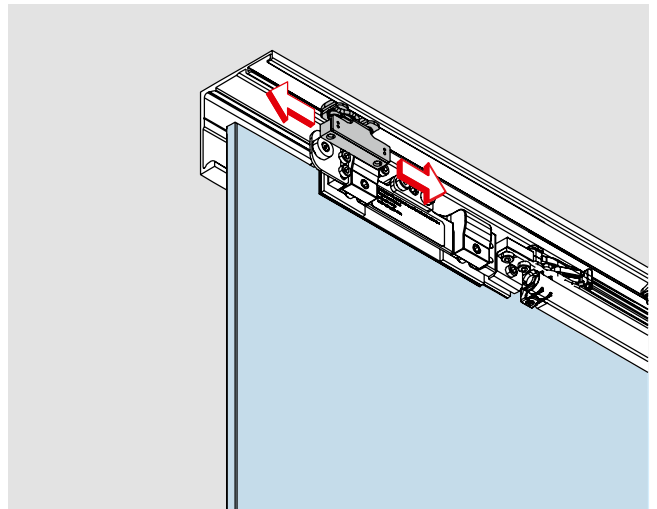
**Retrofit of the DORMOTION unit (min. panel widths for DORMOTION units have to be considered)**



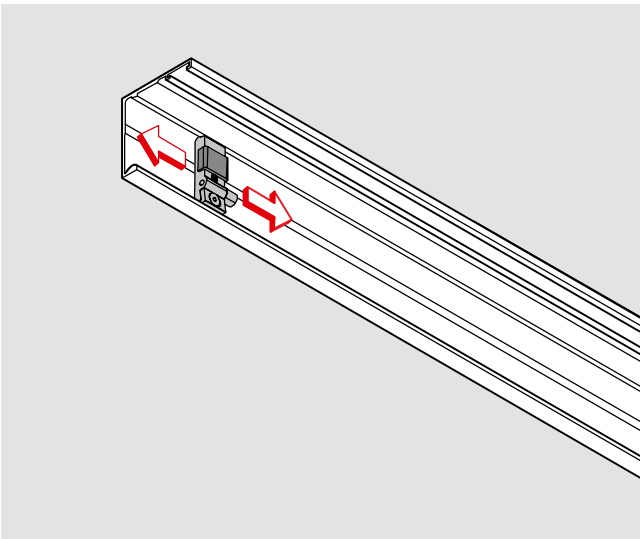
**Free adjustable and retrofit locking unit  
(only in combination with DORMOTION)**



**Free adjustable and retrofit status indicator**

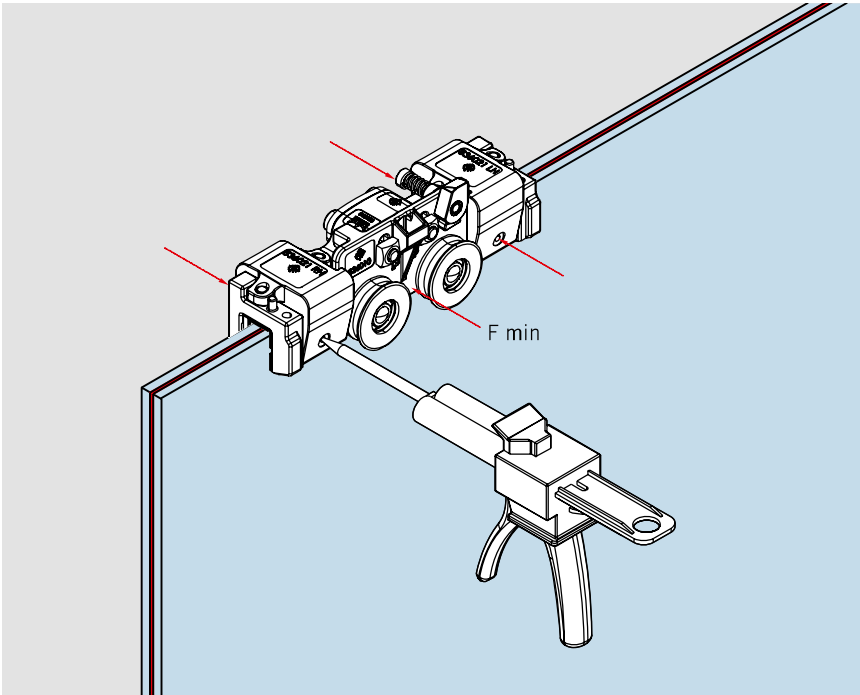


**Free adjustable endstop**



# LSG COMPATIBILITY

## Clamp & Glue

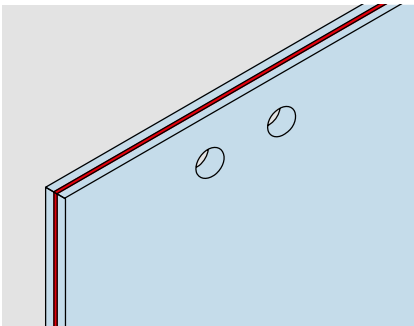


DORMA's Clamp & Glue technology provides the possibility to keep the advantages and – at the same time – to eliminate the potential failures of laminated safety glass.

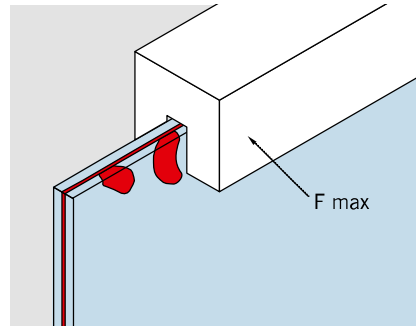
The solution for secure hold of the glass panel only needs a minimum of clamping force at the fittings, without any glass preparation.

## NOT WITH MUTO

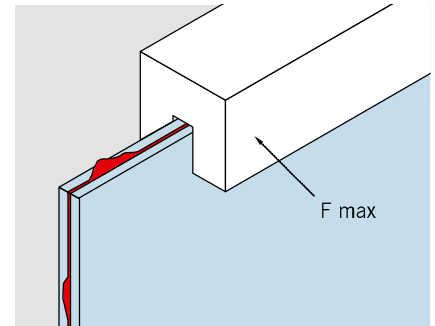
### Glass preparation



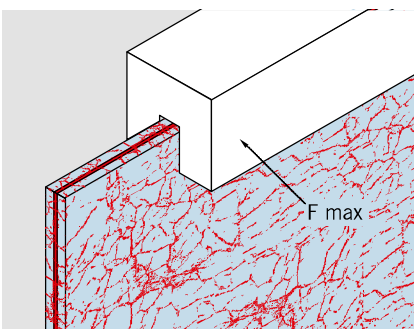
### Blister



### Extrusion of interlayer



### Glass crack



### Shrinkage of interlayer (due to temperature variation in long-term usage).

