

EA

General information

50

**EA patch fittings for offset
hung doors, 24 mm frame
stop depth**

52

**EA patch fittings for offset
hung doors, various frame
stop depths**

54

**EA patch fittings for offset
hung doors in toughened glass
assemblies**

56

**Top centres for wood
and steel frames**

58

Glass preparation details

60

Accessories

132

Safety-related information

157



THE EXPANSIVE RANGE WITH SLIMLINE BODIES FOR OFFSET HUNG DOORS

EA patch fittings are characterized by their slim, neat shape and skilful hinge design. This comprehensive range of fittings allows the transparent elegance of single-action doors to reach their full potential – whether hung in frames or integrated in toughened glass assemblies.

Easy glass preparation secure fixing

DORMA-Glas has an intimate knowledge of the special properties of glass as a building material. This has led to the design of fittings requiring only minimal glass preparation – a quick and easy cut out with additional holes. Carefully

considered and positive measures have been taken to create the maximum clamping surface with optimum clamping efficiency.

Suitable for 10, 12 and 8 mm glass thicknesses

DORMA EA patch fittings are available for 10 and 12 mm glass thicknesses. With additional gaskets these fittings can also be used for 8 mm glass.

Reliability built in

Quality materials and thorough workmanship mean that EA patch fittings have the features necessary to meet the most demanding of specifications.

Matching range of locks

The EA range includes a variety of locks and strike boxes in a matching design concept, giving the designer plenty of choice from the options available.

Virtually unlimited choice of colours and finishes

EA corner patches are available in the following finishes

- Aluminium, silver anodised EV 1, C O (101)
- Aluminium, similar satin stainless steel (107)
- Brass, polished chromed (501)
- Brass, polished (503)
- Bespoke colour anodising (199)

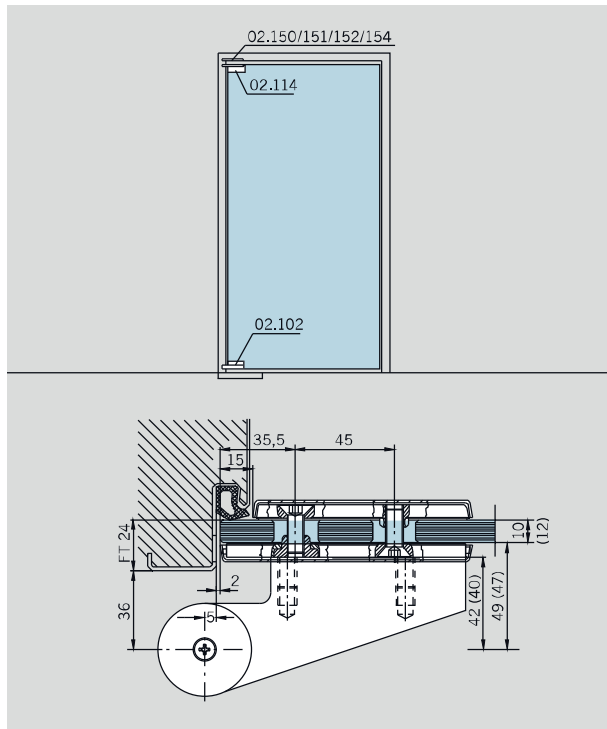
- Bespoke powder coating (399)

Short delivery times

All the common patterns and types are available ex-stock (factory). Specials will be prepared promptly.



OFFSET HUNG DOORS IN REBATED FRAMES AND TOUGHENED GLASS ASSEMBLIES



Offset hung doors in rebated frames

max. door weight: 90 kg
 max. door width: 1000 mm,
 using a bottom door rail:
 1100 mm

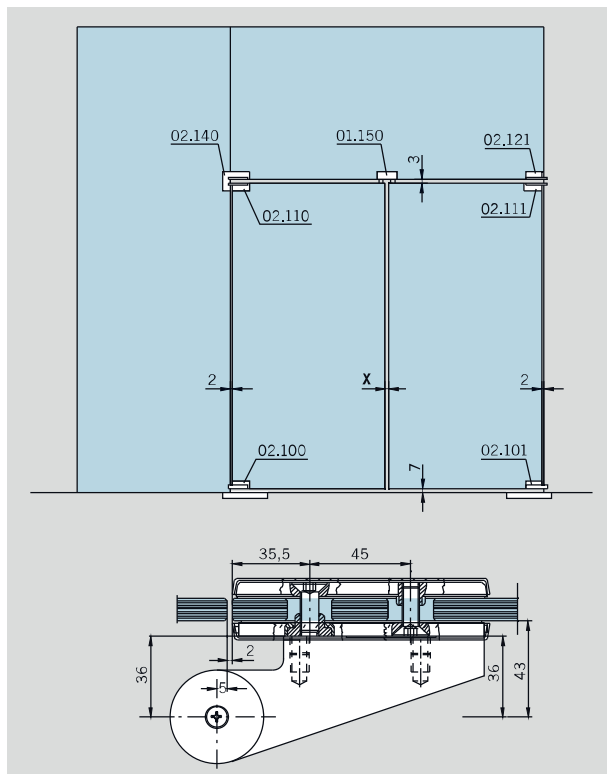
EA patch fittings for offset hung doors in rebated frames are supplied as standard prepared for 24 mm rebate depth. They can be prepared to suit rebate depths from 15 – 23 mm, and from 25 – 40 mm. Please specify rebate depth with order.

max. door weight for 25–40 mm rebate depth: 80 kg
 max. door width for 25–40 mm rebate depth: 900 mm

For doors with max. weight of 80 kg and max. width of 1000 mm use door rails.

The top centre frame portions are prepared to suit wood and steel frames. For aluminium frames, please enquire, giving details of aluminium system.

FT = rebate depth



Offset hung doors in toughened glass assemblies

max. door weight: 100 kg
 max. door width: 1100 mm

For door weights up to 100 kg and widths up to 1200 mm, door rails should be used.

EA patch fittings for offset hung doors in toughened glass assemblies have a 36 mm offset (= 43 mm from pivot point to glass surface).

Gap required between leaves on pairs of doors

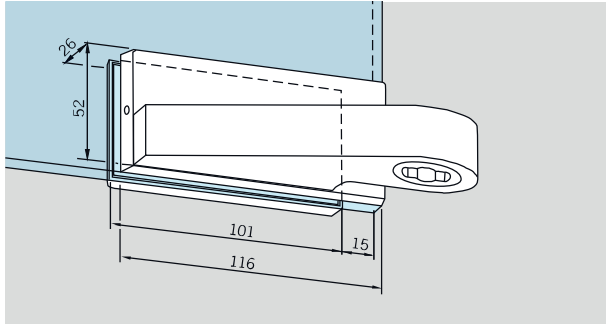
Individual leaf width in mm	X = gap required in mm
400 – 600	8
600 – 1000	6

Torque for fixing screws

Screws M 8: 12 Nm

PATCH FITTINGS FOR OFFSET HUNG DOORS IN REBATED FRAMES WITH 24 MM REBATE DEPTH

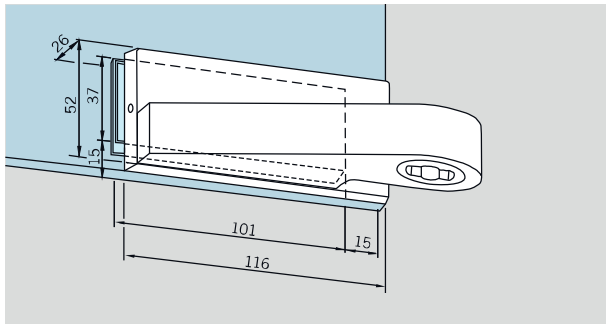
For 10 mm glass thickness (42 mm offset = 49 mm from pivot point to glass surface), complete.
 For 12 mm glass thickness (40 mm offset = 47 mm from pivot point to glass surface), complete.
 Accessories see page 132.



Bottom patch fitting
 to suit DORMA floor spring spindle, or round pivot
 14 mm Ø counter-plate reduced by 15 mm to give free glass edge at side
 For 10 mm glass thickness
 For 12 mm glass thickness

Art. No. *02.102 / 02.103
Art. No. *02.160 / 02.161

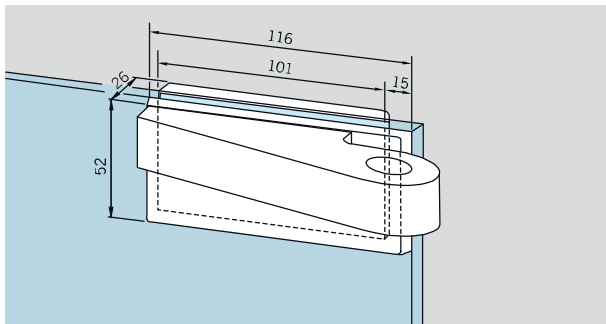
Weight in kg:
 aluminium 0.747
 brass 1.348



Bottom patch fitting
 to suit DORMA floor spring spindle, or round pivot
 14 mm Ø counter-plate reduced by 15 mm to give free glass edge at side and bottom
 For 10 mm glass thickness
 For 12 mm glass thickness

Art. No. *02.104 / 02.105
Art. No. *02.162 / 02.163

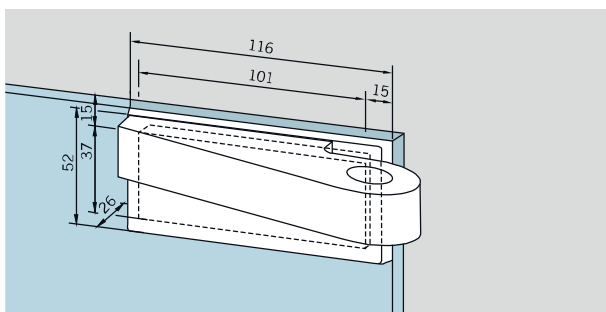
Weight in kg:
 aluminium 0.715
 brass 1.308



Top patch fitting
 counter-plate reduced by 15 mm to give free glass edge at side
 For 10 mm glass thickness
 For 12 mm glass thickness

Art. No. *02.112 / 02.113
Art. No. *02.164 / 02.165

Weight in kg:
 aluminium 0.680
 brass 1.314

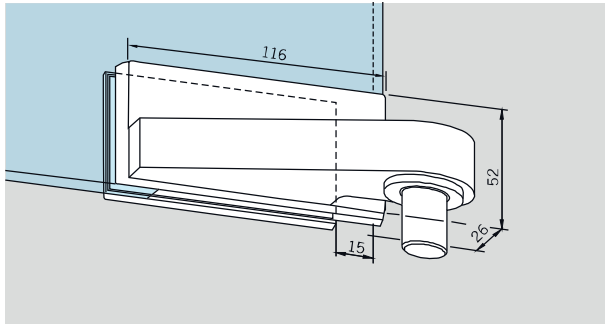


Top patch fitting
 counter-plate reduced by 15 mm to give free glass edge at side and top
 For 10 mm glass thickness
 For 12 mm glass thickness

Art. No. *02.114 / 02.115
Art. No. *02.166 / 02.167

Weight in kg:
 aluminium 0.644
 brass 1.271

* Order of Art.No.: Left hand / right hand – determined by view from hanging side.
 (Illustration shows right hand)

**Overpanel patch fitting**

counter-plate reduced by 15 mm to give free glass edge at side, bushing outside \varnothing 20 mm, pivot \varnothing 15 mm

For 10 mm glass thickness
For 12 mm glass thickness

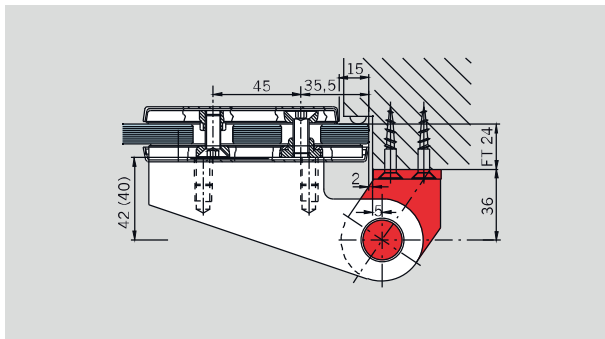
Art. No. *02.122 / 02.123

Art. No. *02.168 / 02.169

Weight in kg:

aluminium 0.654

brass 1.292

**Top patch fitting**

complete with pivot for frame fixing, counter-plate reduced by 15 mm to give free glass edge at side

For 10 mm glass thickness
For 12 mm glass thickness

Art. No. *02.206 / 02.207

Art. No. *02.170 / 02.171

Weight in kg:

aluminium 0.915

brass 1.821

(For frames without rebate see page 57.)

* Order of Art.No.: Left hand / right hand – determined by view from hanging side.
(Illustration shows right hand)

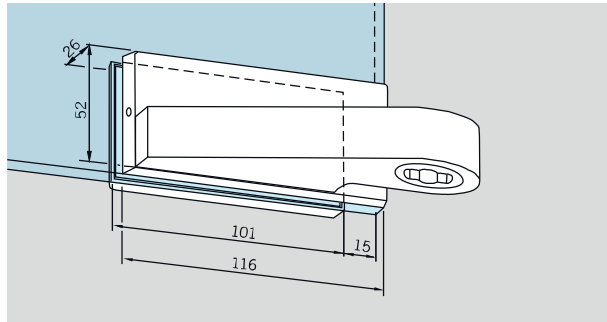
PATCH FITTINGS FOR OFFSET HUNG DOORS IN REBATED FRAMES WITH VARIOUS FRAME STOP DEPTH

Please specify rebate depth with order.

Rebate depth X = distance between outer surface of frame and rebate/stop (15 to 23 resp. 25 to 40 mm).

Offset = rebate depth + 18 mm (33 to 41 resp. 43 to 58 mm). Complete, for 10 mm glass thickness.

Accessories see page 132.

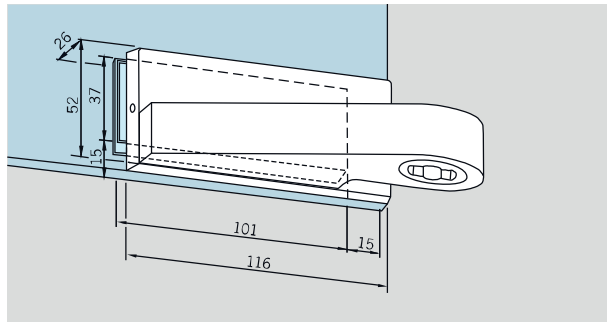


Bottom patch fitting

to suit DORMA floor spring spindle or round pivot 14 mm Ø, counter-plate reduced by 15 mm to give free glass edge at side

Art. No. *02.106 / 02.107

Weight in kg:
aluminium 0.832
brass 1.591

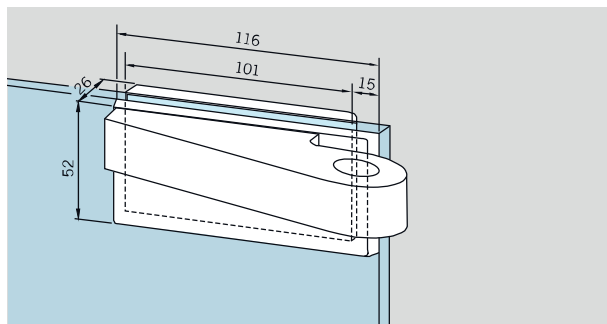


Bottom patch fitting

to suit DORMA floor spring spindle or round pivot 14 mm Ø, counter-plate reduced by 15 mm to give free glass edge at side and bottom

Art. No. *02.108 / 02.109

Weight in kg:
aluminium 0.800
brass 1.548

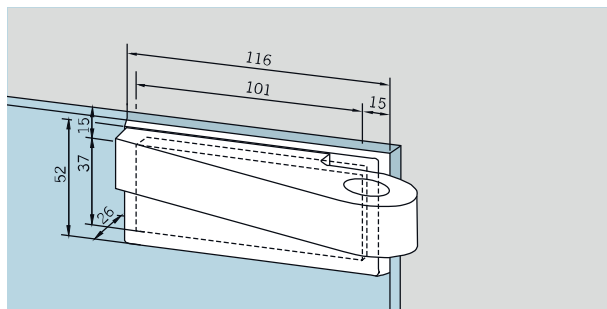


Top patch fitting

counter-plate reduced by 15 mm to give free glass edge at side

Art. No. *02.116 / 02.117

Weight in kg:
aluminium 0.760
brass 1.569



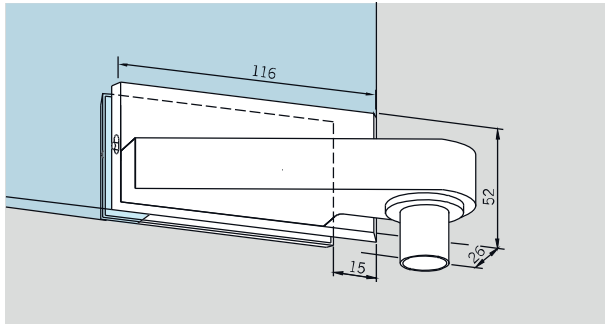
Top patch fitting

counter-plate reduced by 15 mm to give free glass edge at side and top

Art. No. *02.118 / 02.119

Weight in kg:
aluminium 0.728
brass 1.526

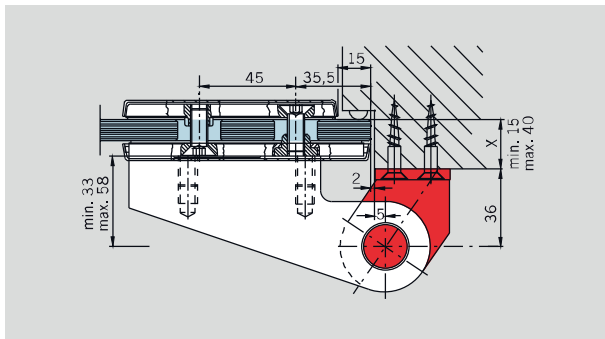
* Order of Art.No.: Left hand / right hand – determined by view from hanging side. (Illustration shows right hand)



Overpanel patch fitting
counter-plate reduced by
15 mm to give free glass edge
at side

Art. No. 02.124 / 02.125

Weight in kg:
aluminium 0.724
brass 1.502



Top patch fitting
complete with pivot for frame
fixing, counter-plate reduced by
15 mm to give free glass edge
at side

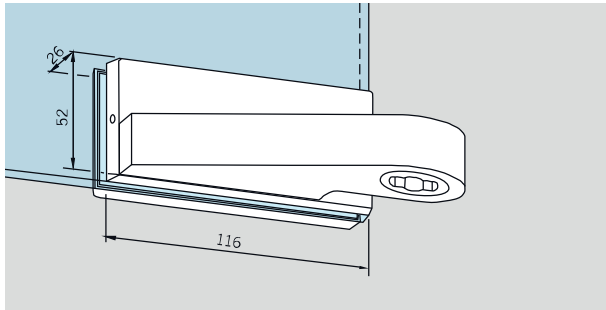
Art. No. *02.208 / 02.209

Weight in kg:
aluminium 0.995
brass 2.076

* Order of Art.No.: Left hand / right hand – determined by view from hanging side.
(Illustration shows right hand)

PATCH FITTINGS FOR OFFSET HUNG DOORS IN TOUGHENED GLASS ASSEMBLIES

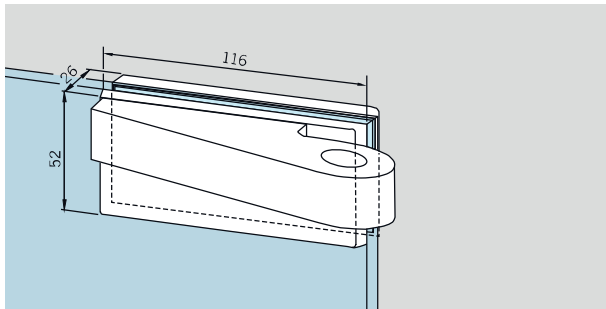
(36 mm offset = 43 mm from pivot point to glass surface), complete, for 10 and 12 mm glass thickness.



Bottom patch fitting
to suit DORMA floor spring
spindle, or round pivot
14 mm Ø

Art. No. *02.100 / 02.101

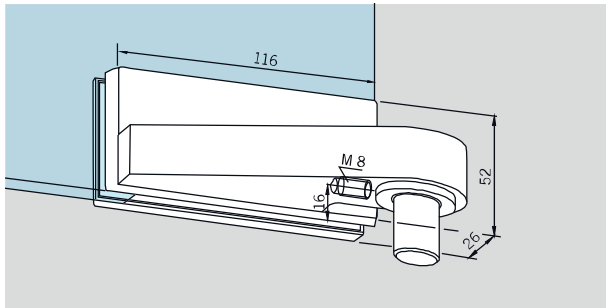
Weight in kg:
aluminium 0.730
brass 1.276



Top patch fitting

Art. No. *02.110 / 02.111

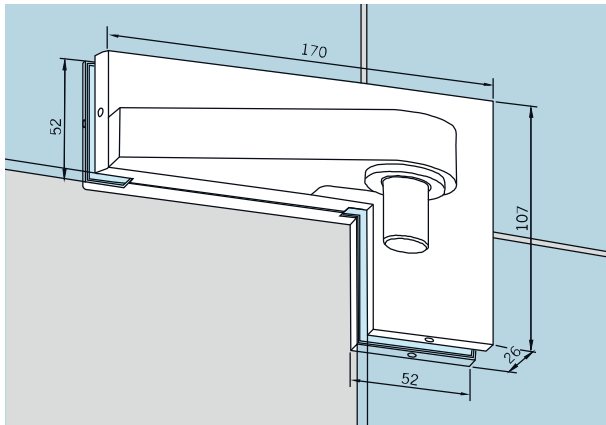
Weight in kg:
aluminium 0.660
brass 1.243



Overpanel patch fitting
bushing outside Ø 20 mm,
pivot Ø 15 mm

Art. No. *02.120 / 02.121

Weight in kg:
aluminium 0.637
brass 1.193

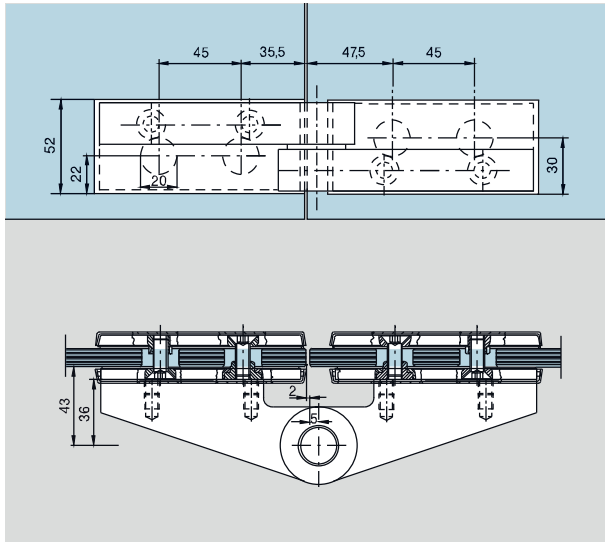


**Patch fitting for overpanel
and sidelight**
bushing outside
Ø 20 mm, pivot Ø 15 mm

Art. No. *02.140 / 02.141

Weight in kg:
aluminium 0.832
brass 1.409

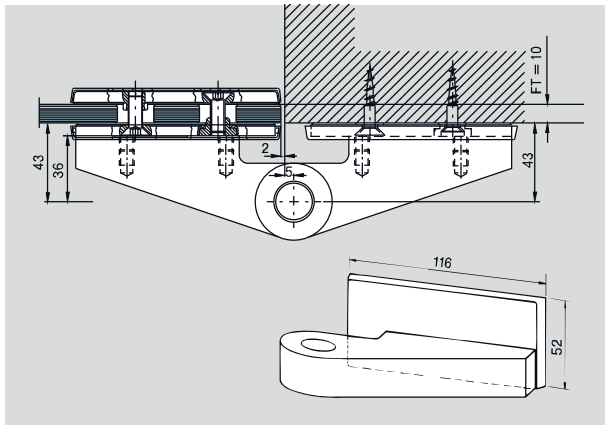
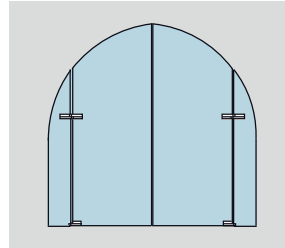
* Order of Art.No.: Left hand / right hand – determined by view from hanging side.
(Illustration shows right hand)



Top patch fitting
complete with pivot for silight

Art. No. *02.200 / 02.201

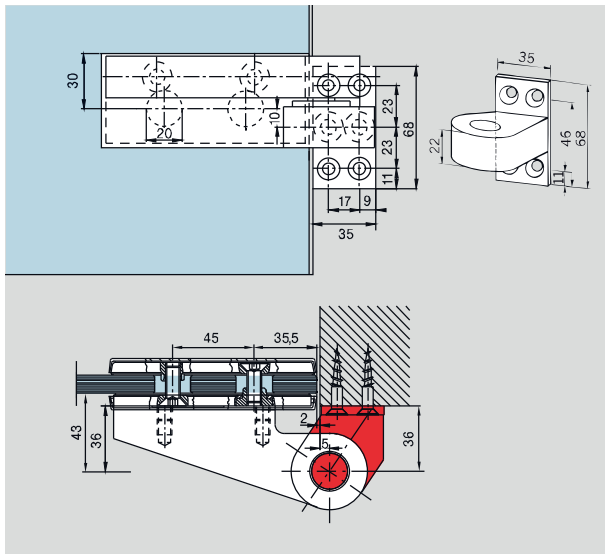
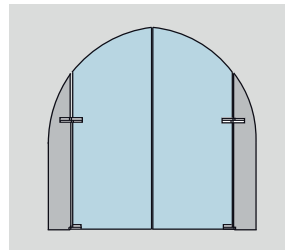
Weight in kg:
aluminium 1.415
brass 2.581



Top patch fitting
complete with pivot for wall
fixing

Art. No. *02.202 / 02.203

Weight in kg:
aluminium 1.277
brass 2.528

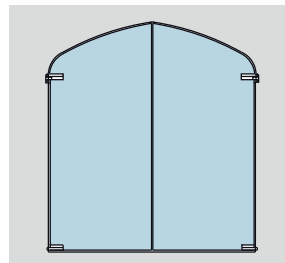


Top patch fitting
complete with pivot for frame
fixing

Art. No. *02.204 / 02.205

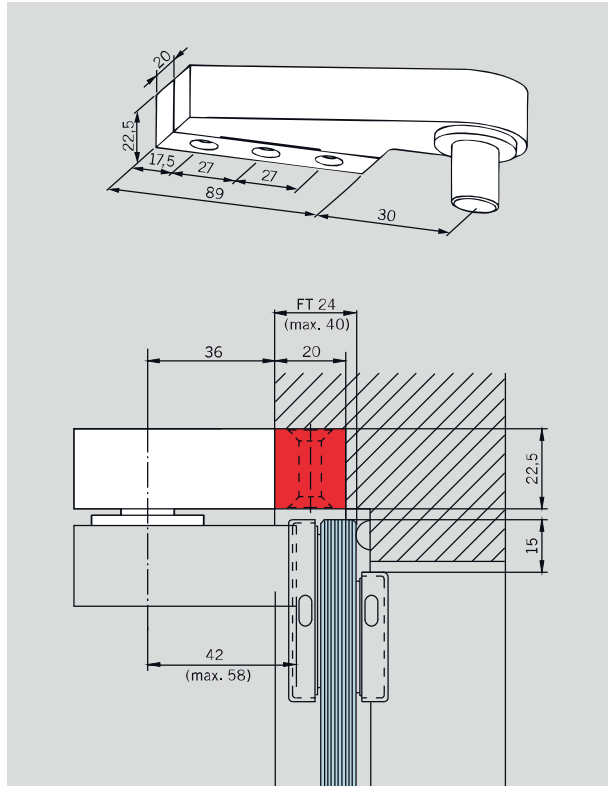
Weight in kg:
aluminium 0.895
brass 1.750

(For frames with rebate see
page 58.)



* Order of Art.No.: Left hand / right hand – determined by view from hanging side.
(Illustration shows right hand)

TOP CENTRES FOR WOOD AND STEEL FRAMES

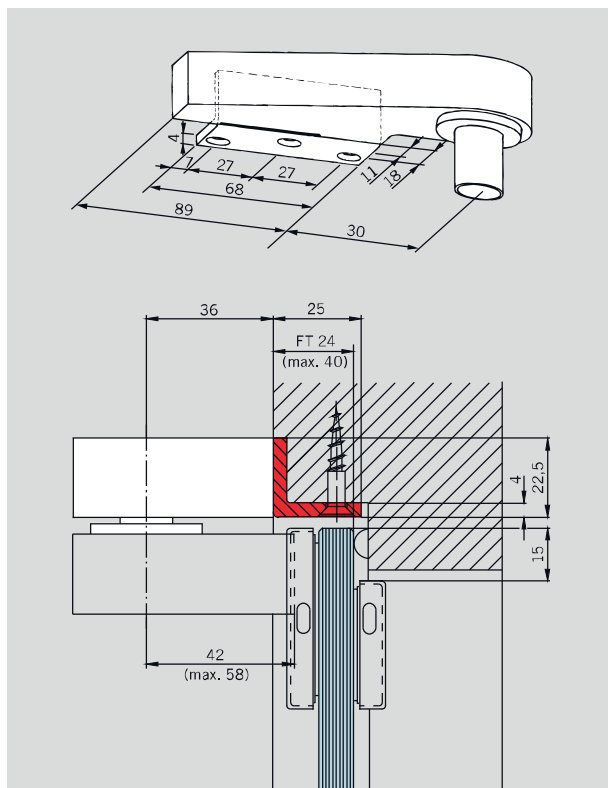


Frame top centre
with fixing block

Art. No. 02.150

Weight in kg:
aluminium 0.471
brass 0.977

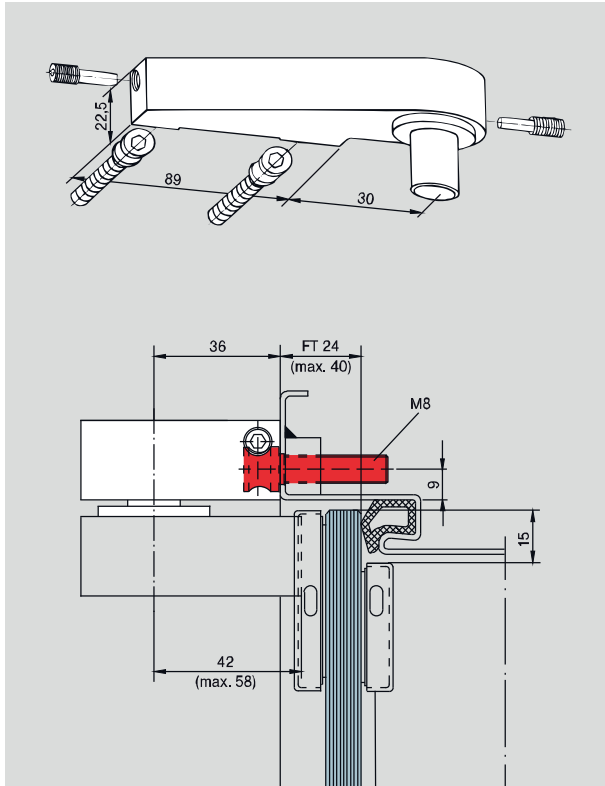
If corner fittings / door rails are combined with frame top centres as described, please indicate rebate depth with order.



Frame top centre
with angle bracket

Art. No. 02.151

Weight in kg:
aluminium 0.453
brass 0.959



Frame top centre
 only for steel frames, with
 special wedge screw fixing

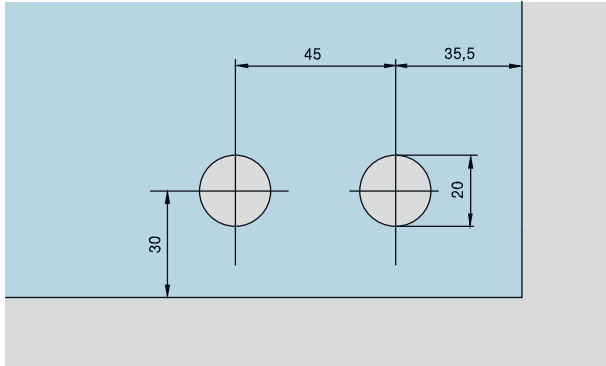
Art. No. 02.152/02.153

Weight in kg:
 aluminium 0.390
 brass 1.896

Drill jig:

Art. No. 8.02.081.001.50

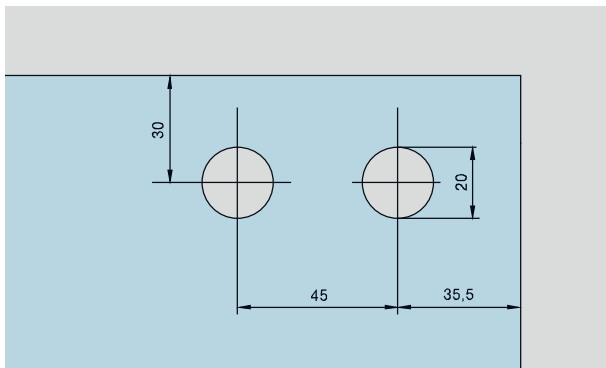
GLASS PREPARATION



Bottom patch fittings

Art. No.	Art. No.
left hand:	right hand:
02.100	02.101
02.102	02.103
02.104	02.105
02.106	02.107
02.108	02.109
02.160	02.161
02.162	02.163

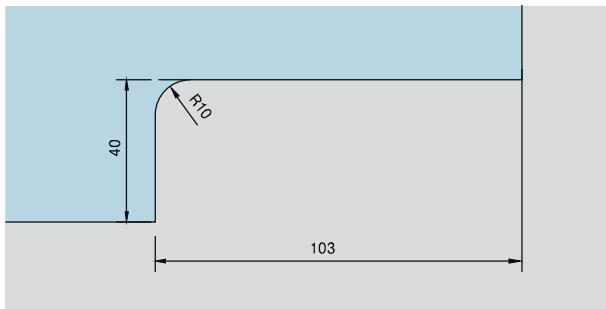
Scale 1 : 2



Top patch fittings

Art. No.	Art. No.
left hand:	right hand:
02.110	02.111
02.112	02.113
02.114	02.115
02.116	02.117
02.118	02.119
02.164	02.165
02.166	02.167

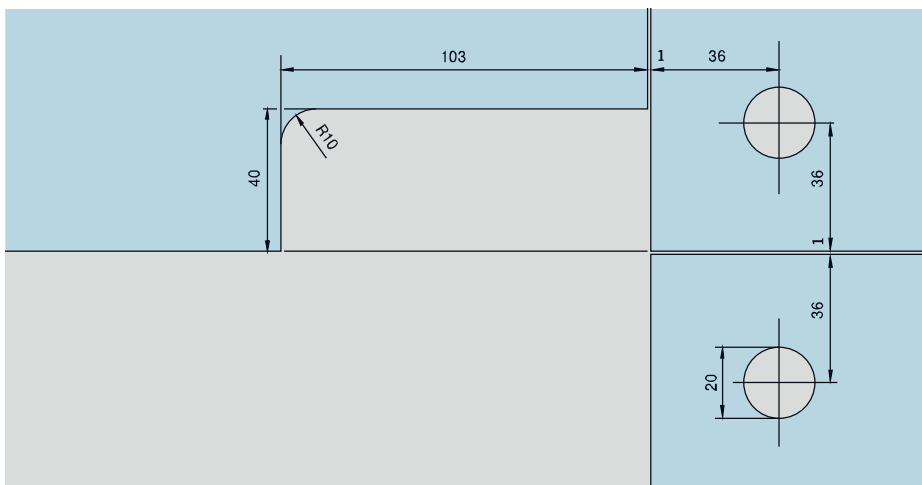
Scale 1 : 2



Overpanel patch fittings

Art. No.	Art. No.
left hand:	right hand:
02.120	02.121
02.122	02.123
02.168	02.169

Scale 1 : 2



Patch fittings for overpanel and sidelight

Art. No.	Art. No.
left hand:	right hand:
02.140	02.141

Scale 1 : 2