

A close-up photograph of a silver, rectangular door assist device. The device has a perforated end and a small DORMA logo embossed on its side. It is shown in a perspective view against a light gray background.

# PORTEO

—

Door Assistant

# PORTEO – THE DOOR ASSISTANT THAT ADDS CONVENIENCE TO DOORS

The PORTEO offers an innovative and convenient way to open doors effortlessly and to close them automatically. With all the elegance of the DORMA Contur design, the PORTEO is specifically suited to interior doors, performing all the functions needed to make life just that little bit easier for all. High-quality DORMA technology makes the PORTEO particularly easy to operate – with minimum noise, high functional reliability and excellent application adaptability. The PORTEO is delivered ready-to-connect and offers much comfort and safety in conjunction with fast mounting thanks to its Plug & Go feature. The system is delivered as complete package with slide channel and mounting plate.

### Benefits point by point

- Door assistant for swing doors
- Effortless opening and closing of swing doors up to widths of 1100 mm and door-leaf weights of up to 100 kg
- One version for all four ways of mounting: hinge and opposite hinge side, lintel mounting or door-leaf mounting. Compact dimensions 60x530x80 mm (HxWxD), particularly suitable for use in conjunction with narrow-stile and standard profile door systems
- Extremely low installation height of just 60 mm

The PORTEO can be further functionalised with original DORMA system accessories to give even more operating convenience, user-friendliness and enhanced safety. In combination with an optional pushbutton and an electric strike, for example, the door can be simply opened with the push of a button. Use the hand-held transmitter "DORMA atent" for even more convenient opening and closing – it doesn't get more flexible than this. The PORTEO is the inexpensive application for opening and closing doors the convenient way. Safe, reliable and easy to upgrade.

Certified to ISO 9001

- Virtually noiseless operation
- Easy installation thanks to ready-to-connect Plug & Go function with mounting plate
- In DORMA Contur design, cubic design, winner of the 2005 red dot design award and "Le Janus de l'Industrie 2007"
- GGT-approved



### Fields of application

<b>Interior doors, single-leaf</b>	
Door-leaf width	≤1100 mm
Door-leaf weight, max.	100 kg

### Technical specifications

Lintel mounting/door-leaf mounting on hinge side/opposite hinge side	●
Non-handed	●
Latching action (de-/activatable)	●
Dimensions H x W x D	60 x 530 x 80 mm
Weight	3.2 kg
Supply voltage	230 V AC, 50/60 Hz
Power supply for external accessories	24 V DC, 300 mA
Class of protection	IP 20
Low-Energy-Function	●
Compliant with DIN 18650	●
CE marking	●
GS mark, TÜV type-approved	●

### Adjustable parameters

Adjustable opening time (0° – 90°)	5 to 10 sec.
Adjustable closing time (90° – 0°)	5 to 10 sec.
Adjustable hold-open time	5 to 30 sec.*
Adjustable opening angle, max.	110°

\* in Powerless Mode 0.5 to 30 sec.

### Standard function programs

Powerless Mode	●
Push & Go	●
PowerMotion	●
Permanent Open	●
Obstruction recognition	●
Anti-vandalism feature (deactivation of gear)	●
Automatic recognition:	
Door is locked	●
Door has an electric strike	●

### Prepared for following accessories

Electric strike, e.g. DORMA Basic type	○
Hand-held transmitter, e.g. DORMA atent	○
Pushbutton, e.g. DORMA System 55	○

● Standard ○ Option



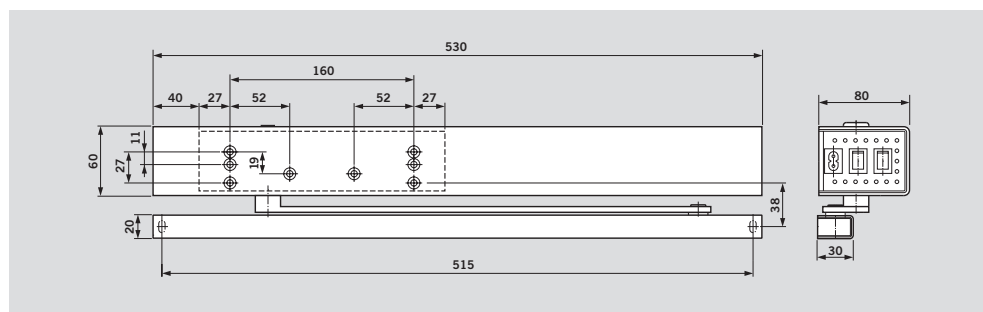
reddot design award winner 2005




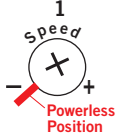

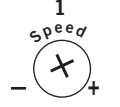



JANUS DE L'INDUSTRIE






universal design award 08



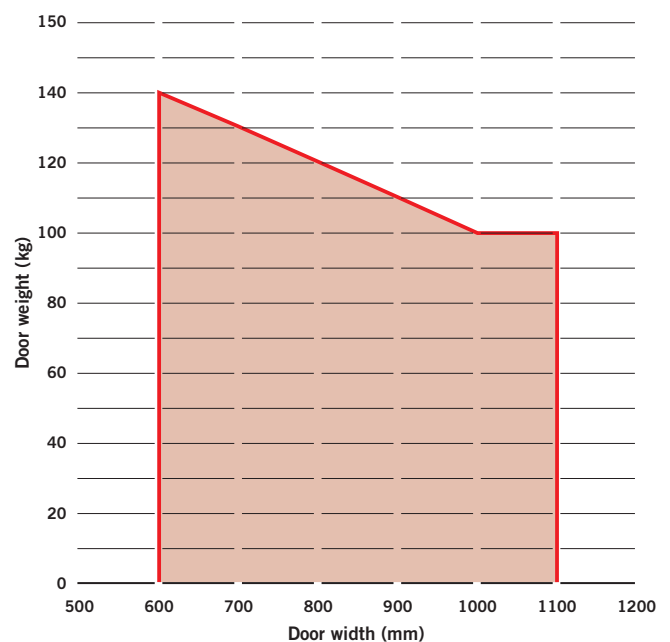
# STANDARD FUNCTIONS

Operating mode	Door equipment	Settings	
		Program switch	Potentiometer
 <p><b>Powerless</b> Effortless manual door opening. The door closes automatically on expiry of the individually adjusted hold-open time.</p>	<ul style="list-style-type: none"> <li>– Standard locking device</li> <li>– Lever handle</li> </ul>	I	
 <p><b>Push &amp; Go</b> Once the door is opened manually by 3°, the automatic door opening function is triggered. The PORTEO then closes the door again automatically after the adjusted hold-open time.</p>	<ul style="list-style-type: none"> <li>– Standard locking device</li> <li>– Lever handle</li> </ul>	I	 <p>Adjustable opening and closing time. Original setting 10 sec. (max.)</p>
 <p><b>PowerMotion</b> Automatic opening and closing of door in combination with electric strikes and external activators such as the DORMA atent hand-held transmitter, a radio remote control or a transponder. As soon as the signal is transmitted and the electric strike is released, the door automatically opens and then closes again on expiry of the adjusted hold-open time.</p>	<ul style="list-style-type: none"> <li>– Standard locking device</li> <li>– Electric strike</li> <li>– External activator</li> </ul>	I	 <p>Adjustable hold-open time adjustable</p>
 <p><b>Permanent Open</b> This function is designed to keep the door permanently open. The door opens and is held in this position until another signal is triggered for example by the program switch (the locking device must be unlocked) or by a double-click on the hand-held transmitter (flip-flop-function).</p>		II	

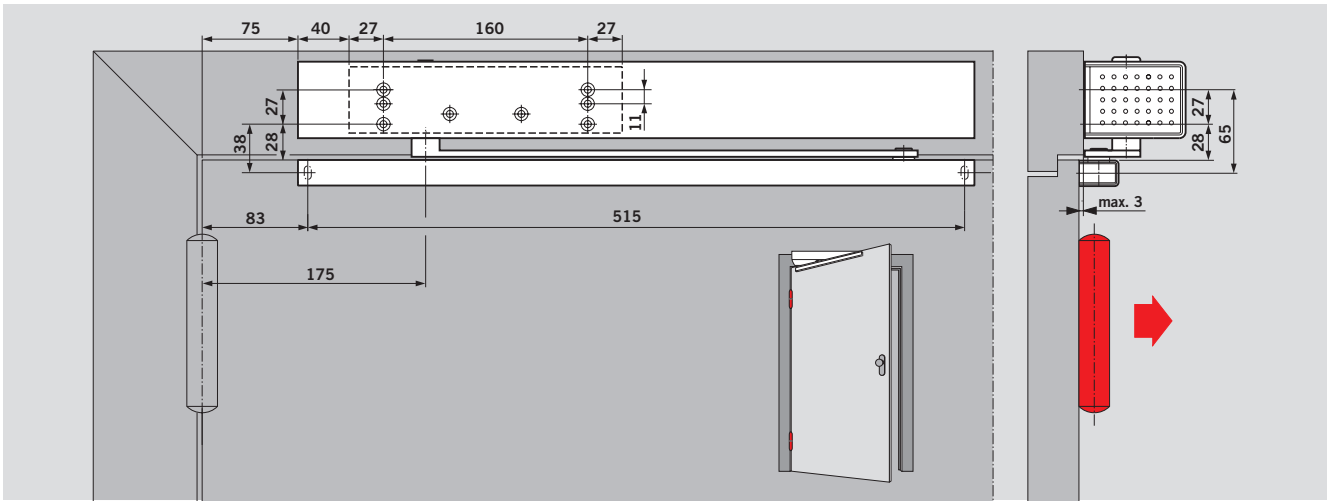
Program switch modes	Switch position	Function
	0	OFF
	I	PowerMotion
	II	Permanent Open

Mains switch must be "ON" to activate the different operating modes.

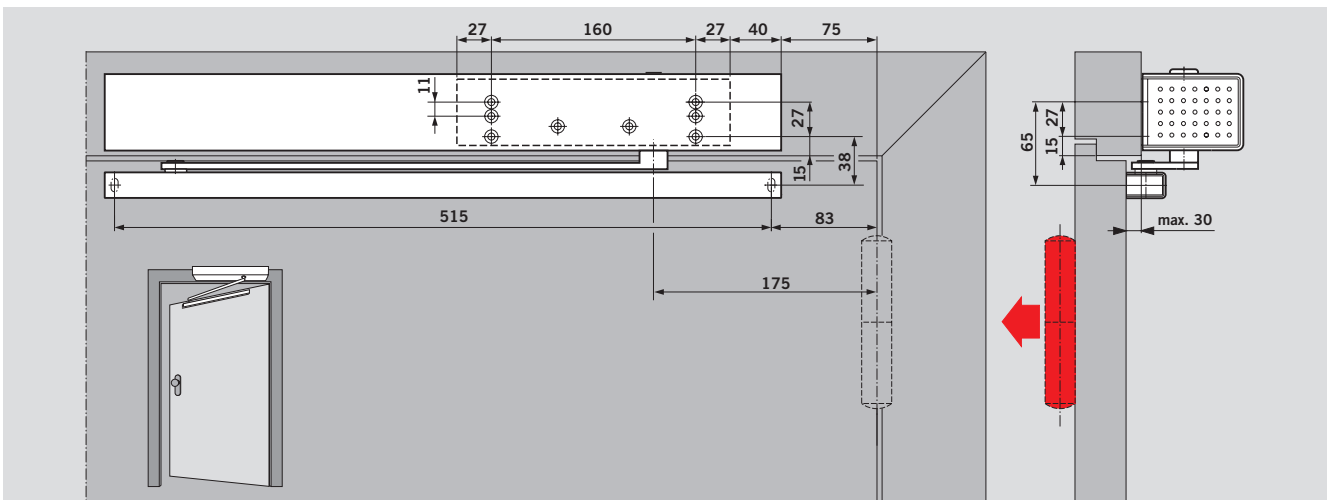
Max. permissible door widths and weights



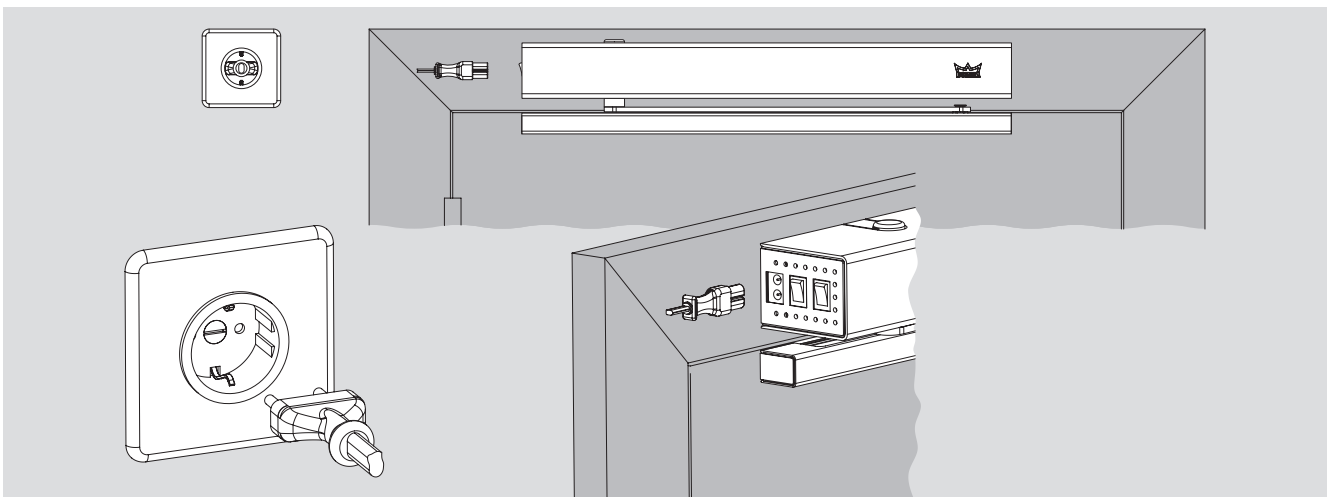
**LINTEL MOUNTING ON HINGE SIDE** (Example refers to left-handed (ISO 6) door; mirror image applies to right-handed (ISO 5) door)



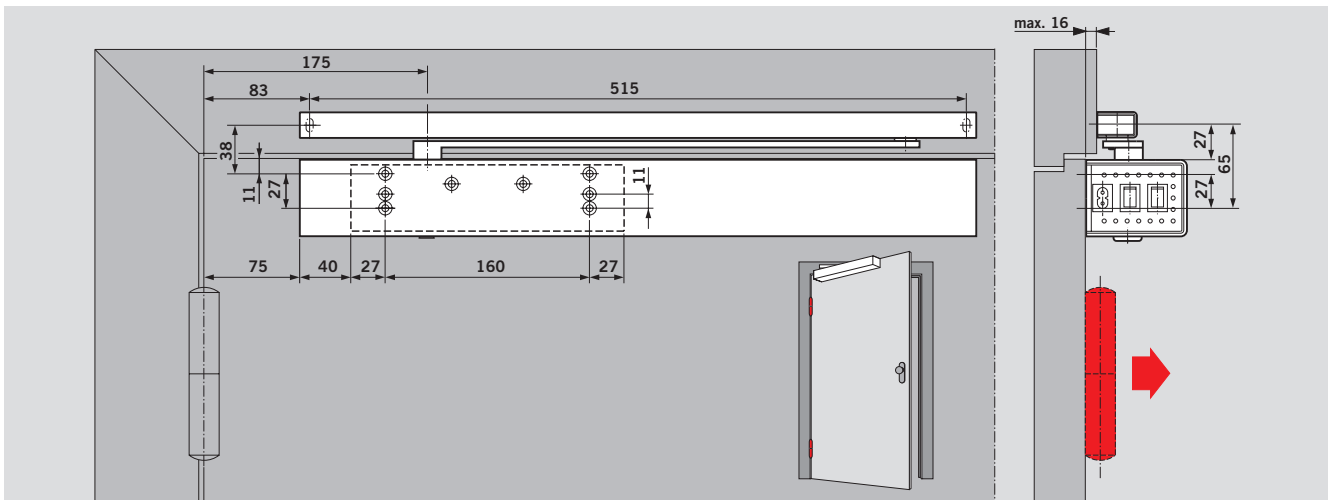
**LINTEL-MOUNTING ON OPPOSITE HINGE SIDE** (Example refers to left-handed (ISO 6) door; mirror image applies to right-handed (ISO 5) door)



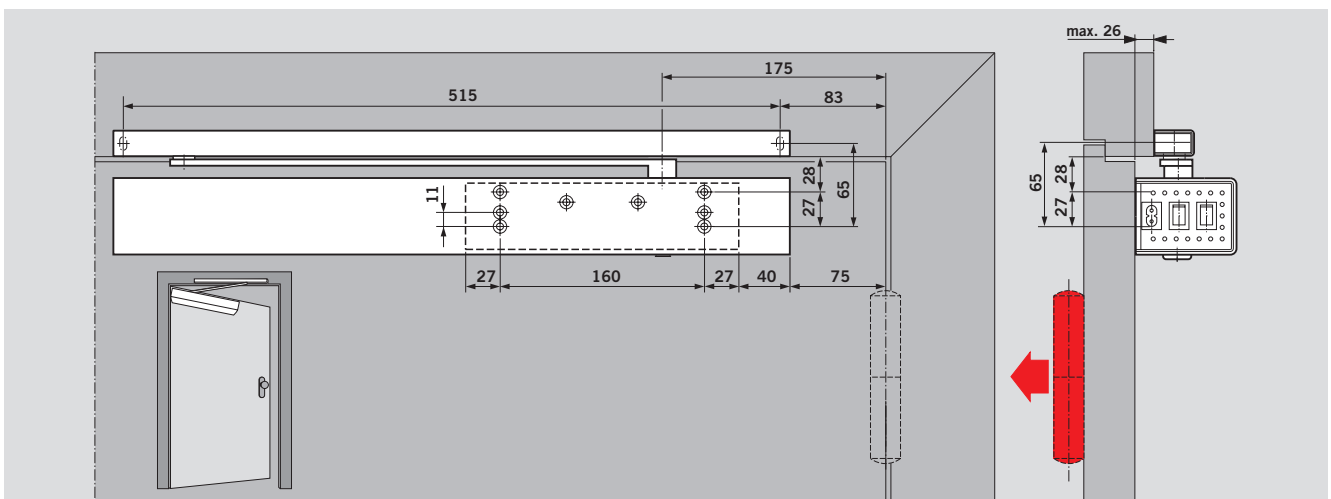
**PLUG & GO** Mains connection via power plug (Example refers to left-handed (ISO 6) door; mirror image applies to right-handed (ISO 5) door)



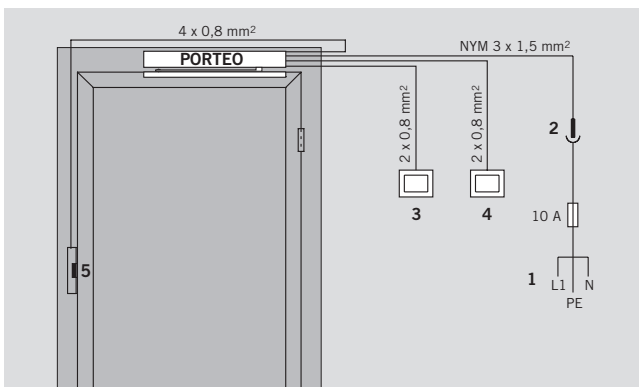
## DOOR-LEAF MOUNTING ON HINGE SIDE (Example refers to left-handed (ISO 6) door; mirror image applies to right-handed (ISO 5) door)



## DOOR-LEAF MOUNTING ON OPPOSITE HINGE SIDE (Example refers to left-handed (ISO 6) door; mirror image applies to right-handed (ISO 5) door)

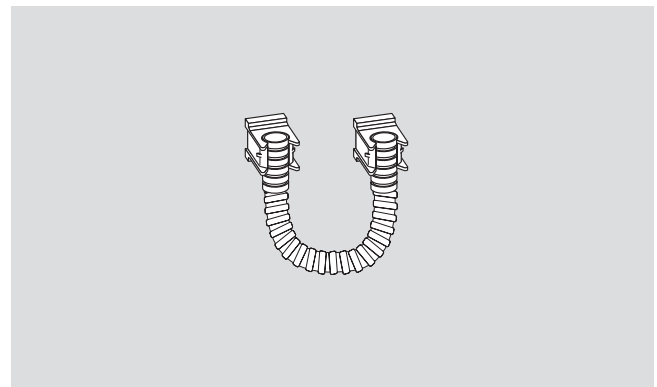


### Wiring diagram



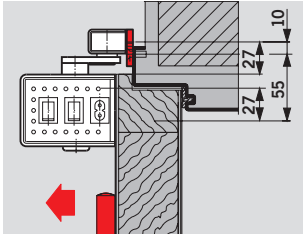
- 1 Permanent power supply line
- 2 Two-pole-and-earth socket
- 3 Internal pushbutton
- 4 External pushbutton
- 5 Electric strike

### Type 500 flexible cable loop



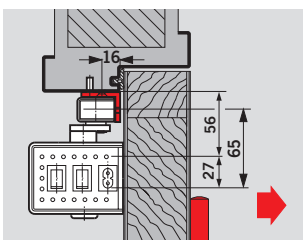
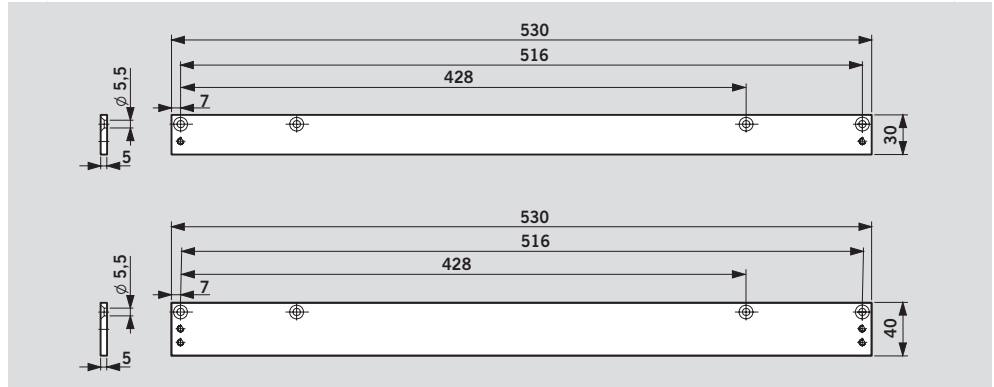
The safe and reliable solution from DORMA for protecting the cables required for door-leaf mounting.

# ACCESSORIES



**Mounting plate**  
30 mm or 40 mm

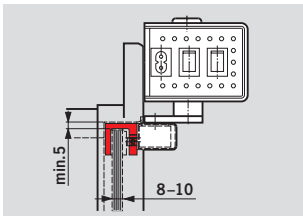
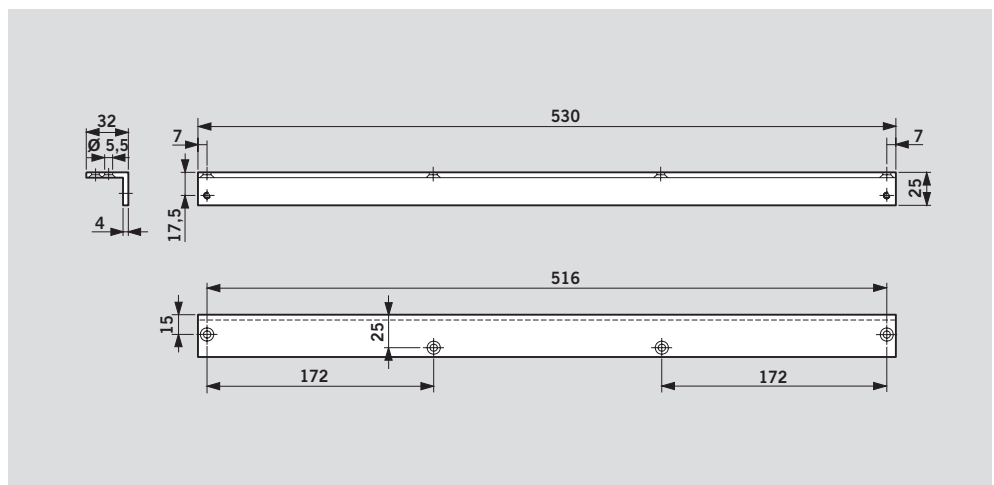
For mounting of slide channel at door frames where no direct installation is possible.



**Angle bracket**

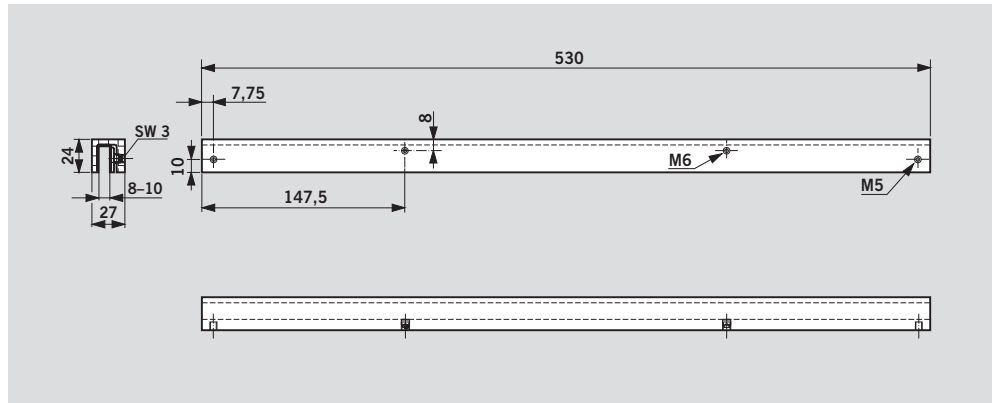
For mounting of slide channel at door frames with a deep lintel and mounting on the opposite hinge side.

For lintel depths from -20 to +200 mm with optional standard arm.



**Shoe clip**

For mounting the slide channel at full-glass doors – no glass machining necessary. Lintel mounting on the hinge side only.



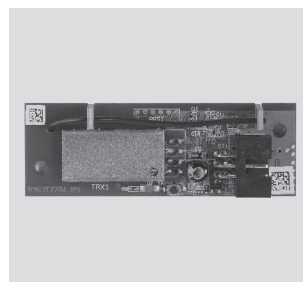
**Optional activators, radio receivers, electric strikes**



Manual pushbutton, System 55



Radio hand-held transmitter DORMA atent

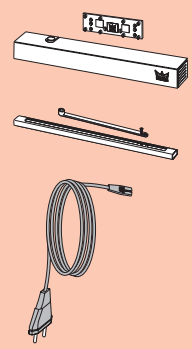


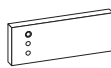
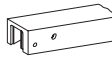




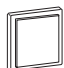




Radio receiver BRC-R



Electric strike type Basic

# STANDARD EQUIPMENT AND ACCESSORIES

<b>PORTEO 230 V</b> 	Angle bracket	Mounting plate 30 mm	Mounting plate 40 mm	Shoe clip	Flexible cable loop type 500
					
	600410xx	600411xx	600412xx	600413xx	60041401
Electric strike					
fail-secure type Basic	fail-safe type Basic-Safe	Strike plate FLM 24	Pushbutton System 55	Radio hand-held transmitter DORMA atent	Radio receiver BRC-R
					
600100xx	15117124	15137124	15180224	19144701170	60041500 29302002

xx	Colour
01	Silver-coloured
11	White (sim. to RAL 9016)
19	Black

## SPECIFICATION TEXT

Electro-mechanical door assistant operating in Low-Energy-Function (force limitation) to DIN 18650, including slide channel and mounting plate, with CE marking, in DORMA Contur design.

Operating options: Powerless mode (effortless opening, automatic closing) or PowerMotion (automatic opening and closing). Opening and closing speeds, hold-open time and opening angle adjustable. Latching action as standard. Non-handed. Mounting plate with universal fixing hole pattern. For lintel mounting or door-leaf mounting on the hinge or opposite hinge side.

- Door parameters**
- Single-leaf interior doors, not suitable for fire and smoke doors
  - Door-leaf widths: max. 1100 mm (depending on door weight)
  - Door-leaf weight per leaf: max. 140 kg (depending on door width)
  - Opening angle per door leaf: min. 100° for all ways of mounting
  - Operator dimensions: 60 mm x 530 x 80 mm (H x W x D)
  - Adjustable operating modes via program switch (0 I II): 0 = OFF, I = PowerMotion, II = Permanent Open

- Extended function programs:
- Powerless (adjustable via potentiometer)
  - Push & Go (always activated in PowerMotion mode)
  - Supply voltage: 230 V AC, 50/60 Hz, complete ready-to-connect system

- Version**
- Complete package including slide channel and mounting plate suitable for all four ways of mounting
- Colour**
- Silver-coloured
  - White, sim. to RAL 9016
  - Black
- Electric strike**
- Option: electric strike in fail-secure design (locked while de-energised)
  - Option: electric strike in fail-safe design (open while de-energised)

- Activator**
- Option: pushbutton, Type:
  - Option: hand-held transmitter, Type:
  - Option: receiver for hand-held transmitter, Type:

Tested according to the guidelines for power-operated windows, doors and gates, BGR 232 (German Employer's Liability Insurance Association Rule), DIN 18650-1/2 (German Industrial Standard), EMV (CE-mark), GS-mark (TÜV type-approval) and the German guidelines of the Association for Electrical, Electronic & Information Technologies, latest version in each case. Manufactured to ISO 9001.

**Make**  
DORMA PORTEO



DORMA GmbH+Co. KG  
DORMA Platz 1  
58256 ENNEPÉTAL  
GERMANY  
Phone +49 2333 793-0  
Fax +49 2333 793-4950  
[www.dorma.com](http://www.dorma.com)