



## VISUR PUREST CLARITY

---

All-glass double-action doors without any visible fixings? Meet VISUR, a system patented for DORMA that secures double-action glass doors without the need for any visually disruptive functional elements. VISUR presents the door in perfect transparency. Rather than cluttering the clear outline of the leaf, the hardware compo-

nents are all located in the surrounding structures. This absence of fittings means that the all-glass double-action door will match any room style, making the VISUR system a real boon to interior architecture.

## 100 % TRANSPARENT 100 % DURABLE

---

Frameless from top to toe – that's the VISUR's claim to fame, making life easier for architects and specifiers alike. Because they can choose any material and any colour for the surrounding structures. The VISUR system simply remains a discrete presence, fitting in with every design idea and reflecting it to maximum advantage.

Having successfully completed 500,000 operating cycles in its endurance test, there can be little doubt as to its outstanding quality – a 100 % DORMA product in every respect.



## TRANSOM-CONCEALED DOOR CLOSER

In the case of VISUR all-glass double-action door, the closing function is performed invisibly by the transom-concealed RTS 85 EN 3 door closer. This not only reliably returns the door to its zero position after each opening action, but also – thanks to special check back

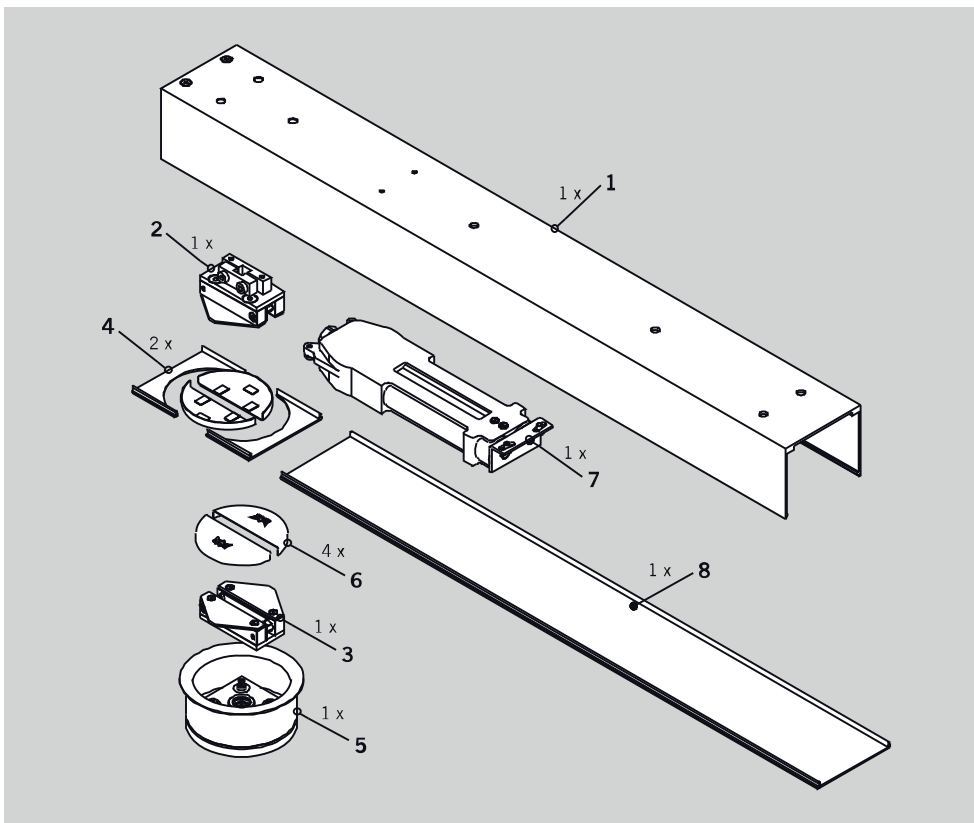
damping – protects the leaf from careless impact arising from excessive opening force. Thanks to a hold-open feature included as standard, the door can also be retained at an opening angle of 90°. Clampable projections – leaf-integral 'tongues' – provide the mating connection for the

concealed pivot fittings top and bottom. Hidden within the floor is the bottom bearing housing with the pivot bearing mounting designed for an offset of 65 mm.

The depth of installation is 64 mm and the diameter of the bearing housing is just 126 mm.

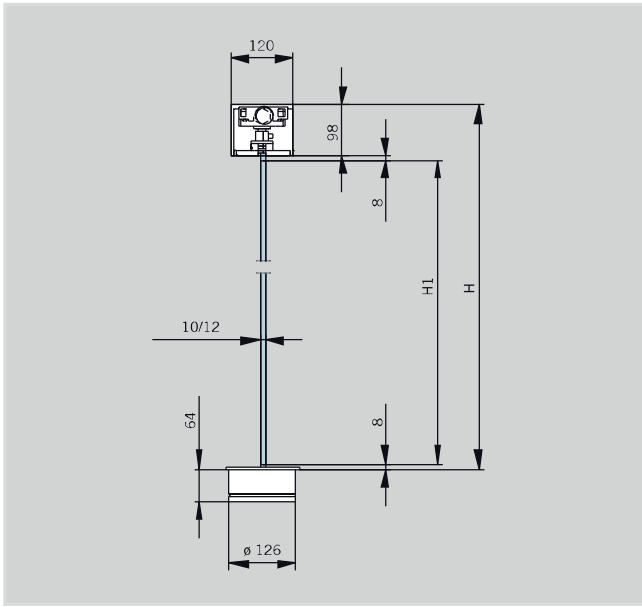


## SCOPE OF DELIVERY



- 1** transom tube for installation under the ceiling  
1 part for max. panel width 1100 mm  
2 parts for max. panel width 2 x 1100 mm
- 2** glass clamping piece top
- 3** glass clamping piece bottom
- 4** cover profile parts for door closer pivot pin 90 mm
- 5** bottom bearing housing with cover ring
- 6** cover caps
- 7** RTS 85 EN 3, 90° retainer
- 8** transom tube cover

# TECHNICAL DETAILS



### Materials and finishes

- Aluminium, silver anodised 114, alumin. EV1-Deco,

### Dimensions

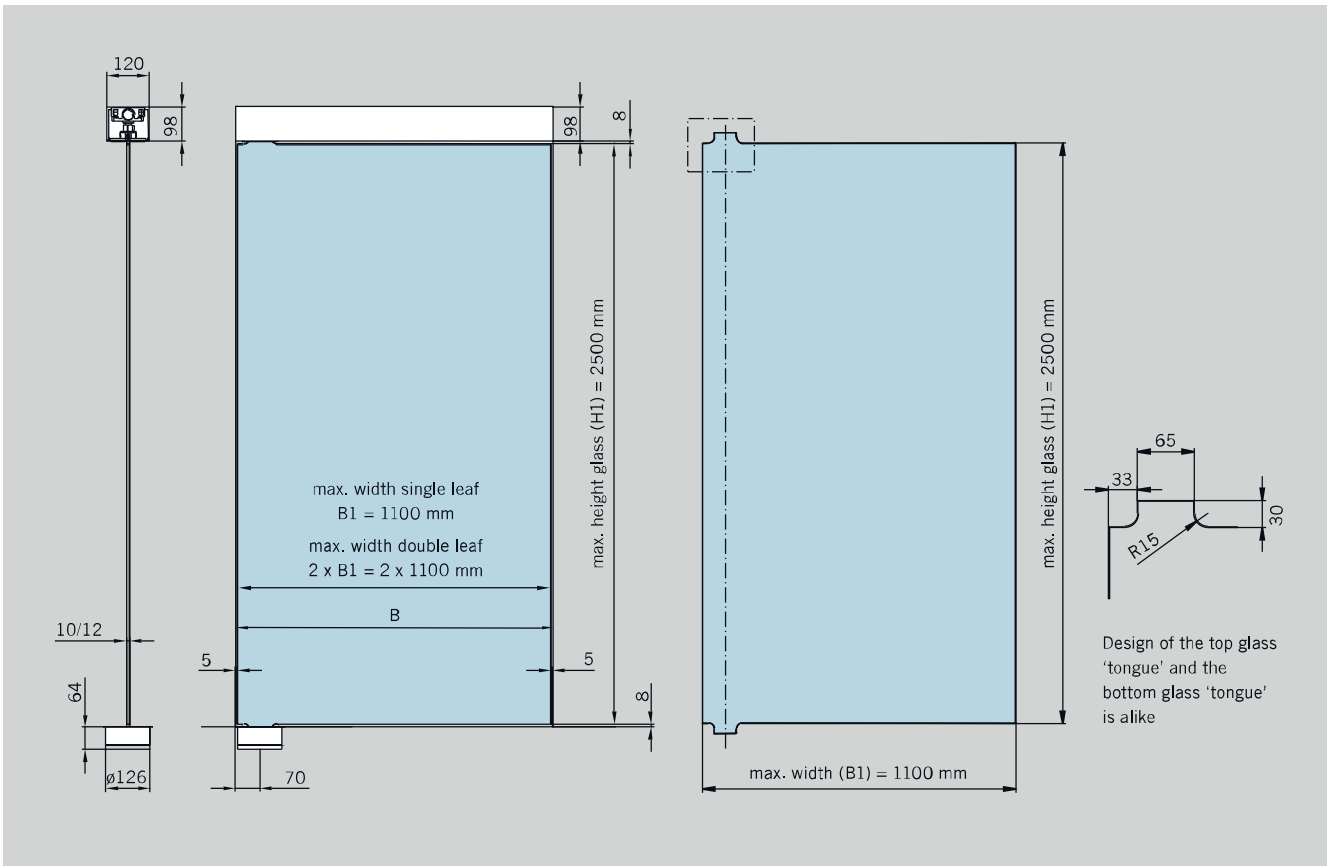
- Glass thickness: 10 / 12 mm
- max. door panel weight: 85 kg
- max. door panel width (B1): 1100 mm
- max. door panel height (H1): 2500 mm

### Calculation of glass measurements:

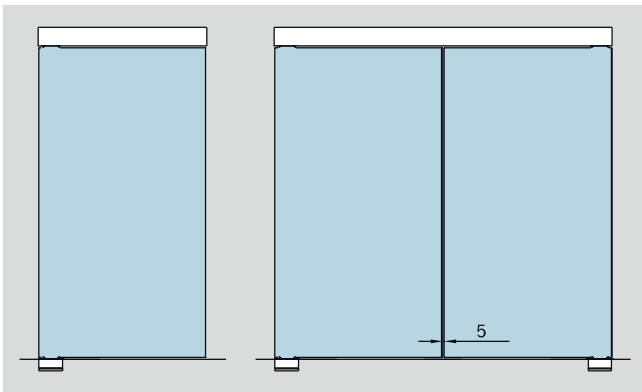
$$H1 = H - 114$$

$$B1 \text{ single leaf} = B - 10$$

$$B1 \text{ double leaf} = \frac{B - 15}{2}$$



# VISUR COMPLETE SETS



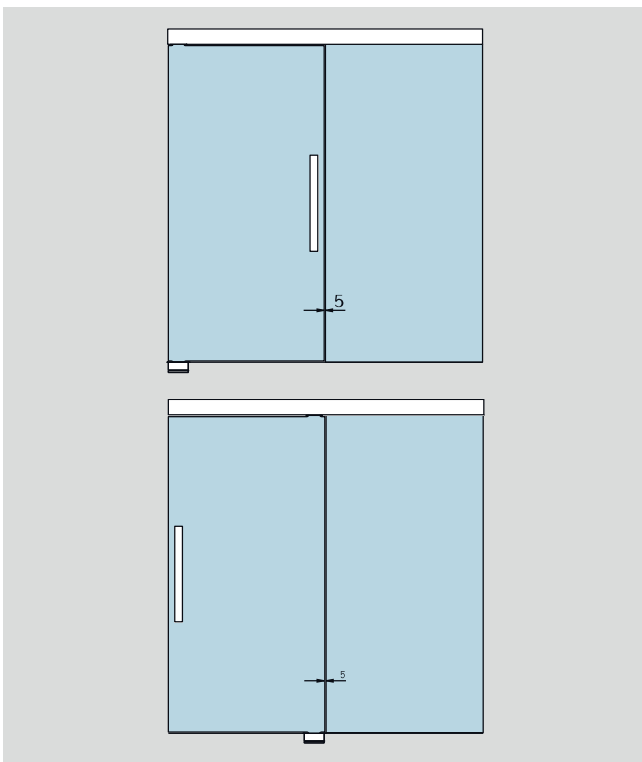
**Complete set for single leaf doors** incl. transom tube, RTS 85, top and bottom pivot

**Art. No. 03.770**

do. for **double leaf door**

**Art. No. 03.771**

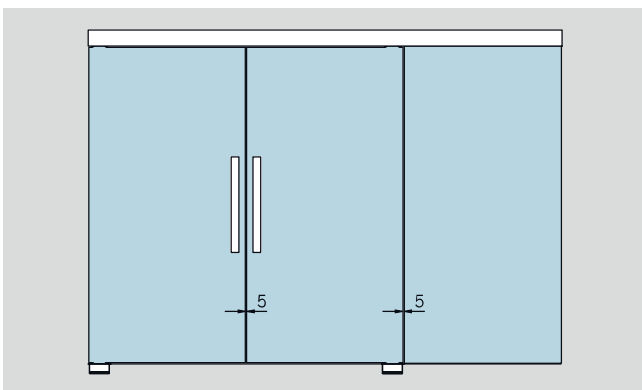
**Attention:**  
Please indicate with your order clear width in mm



**Complete set for single leaf doors with fixed sidelight,** incl. transom tube, RTS 85, top and bottom pivot

**Art. No. 03.790**

**Attention:**  
Please indicate with your order the clear width and the width of sidelights and doors in mm



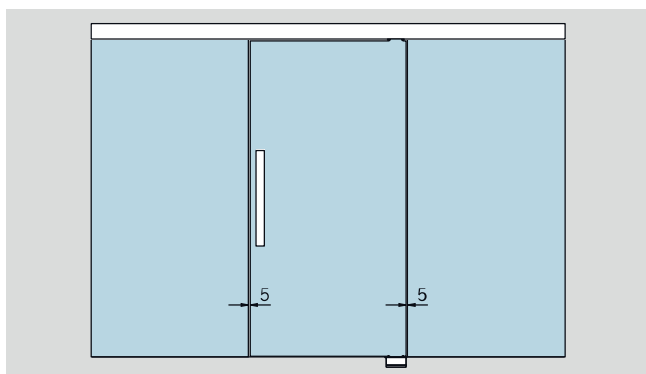
do. for **double leaf door with fixed sidelight**

**Art. No. 03.791**

**Attention:**  
Please indicate with your order the clear width and the width of sidelights and doors in mm

## VISUR COMPLETE SETS

---

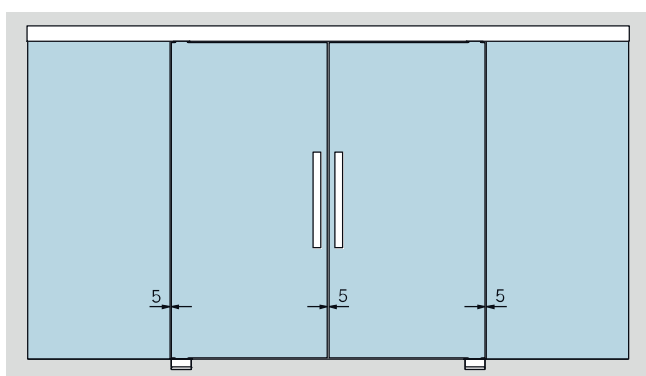


**Complete set for single leaf doors with two fixed sidelights,** incl. transom tube, RTS 85, top and bottom pivot

**Art. No. 03.792**

**Attention:**

Please indicate with your order the clear width and the width of sidelights and doors in mm



**do. for double leaf door with two fixed sidelights**

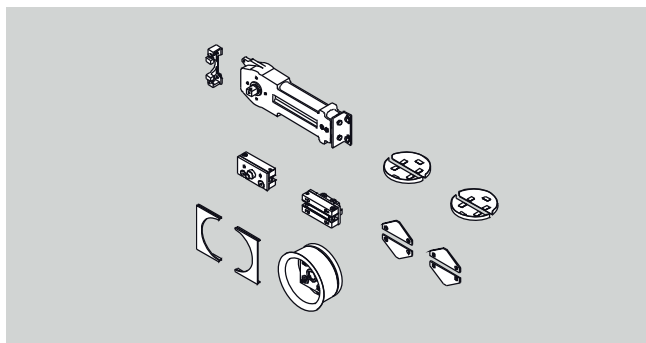
**Art. No. 03.793**

**Attention:**

Please indicate with your order the clear width and the width of sidelights and doors in mm

## VISUR COMPONENTS

---

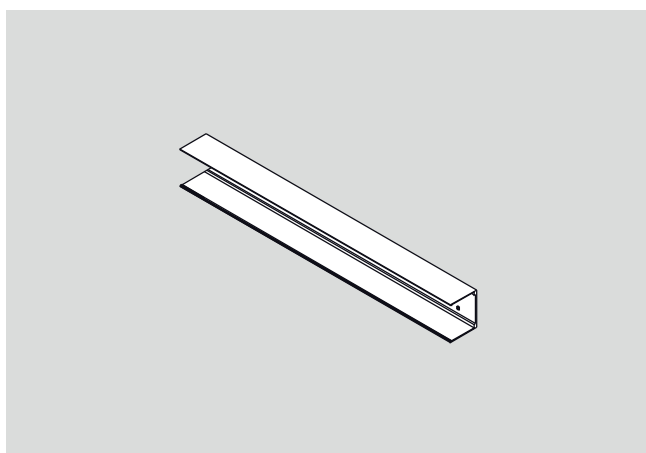


**VISUR set**  
composed of RTS 85, top and bottom pivot

**Art. No. 03.772**

**VISUR set**  
composed of top and bottom pivot, (without RTS 85)

**Art. No. 03.773**



**VISUR transom tube profile**  
for single leaf doors  
(max. 1100 mm door panel width), in fixed length  
(please indicate with your order the clear width in mm)

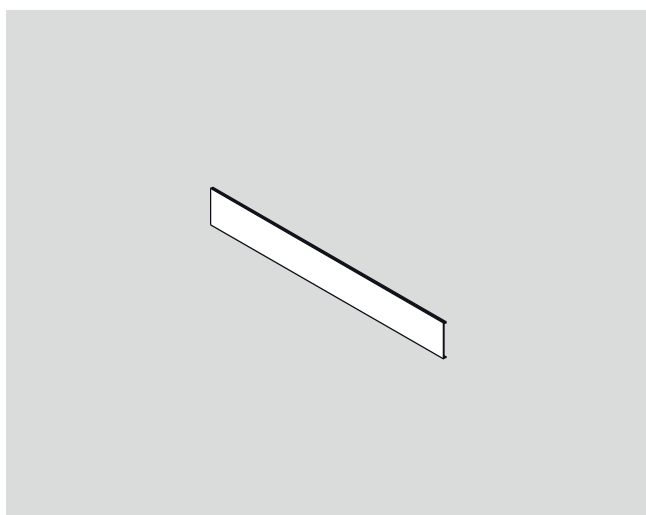
**Art. No. 03.775**

do. for double leaf doors  
(max. 2 x 1100 mm door panel width), in fixed length  
(please indicate with your order the clear width in mm)

**Art. No. 03.776**

**VISUR transom tube profile**  
in stock length 6000 mm

**Art. No. 03.789**



**VISUR transom tube cover profile**  
for single leaf doors  
(max. 1100 mm door panel width), in fixed length  
(please indicate with your order the clear width in mm)

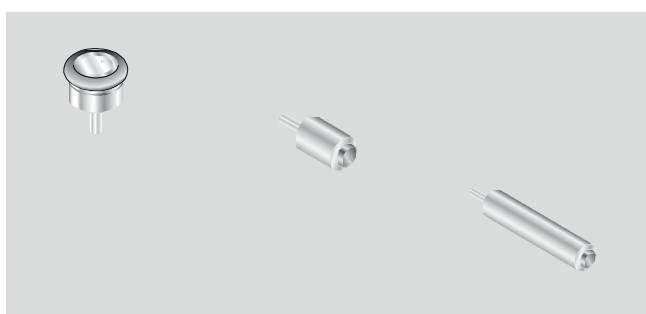
**Art. No. 03.777**

do. for double leaf doors  
(max. 2 x 1100 mm door panel width), in fixed length  
(please indicate with your order the clear width in mm)

**Art. No. 03.778**

**VISUR transom tube cover profile**  
in stock length 6000 mm

**Art. No. 03.780**



**Floor doorstop**

**Art. No. 29.950**

**Wall doorstop, short**

**Art. No. 29.951**

**Wall doorstop, long**

**Art. No. 29.952**