

A close-up photograph of a glass door with a silver automatic sliding door operator. The operator is a long, thin metal bar mounted to the top of the door. It has two sets of rollers on the left side and a sensor unit on the right side. The door is made of clear glass and is set in a frame. The background is a plain, light-colored wall.

CS 80
MAGNEO

Automatic sliding door operator

CS 80 MAGNEO – AN UNRIVALLED AUTOMATIC SLIDING DOOR OPERATOR

The CS 80 MAGNEO is excelled by its high comfort and outstanding driving performance.

Based on magnetic technology from DORMA, this door operator system enables single-panel sliding doors to be used in the interior of buildings without difficulty and in any application. The interior of every building – no matter if public or commercial building or private home – will benefit from the system's slender construction and the timeless and elegant DORMA Contur Design.

Suddenly anything is possible

Thanks to the flexibility of this new system, the CS 80 MAGNEO opens up various fields of application – both in the private and the commercial sector. No matter if installed as interior door, as access door of a walk-in cupboard or as prestigious entrance door to an office or practice, the CS 80 MAGNEO is extremely versatile as it is suitable for in-wall or on-wall mounting and may be realised as left or right-handed version. For professionals and competent laymen, this automatic sliding door operator is straightforward to install and easy to operate, making it a preferred application, especially as also existing door systems may be upgraded with the aid of the automatic CS 80 MAGNEO operator.

Safe – CS 80 MAGNEO

In Low-Energy-Mode, extrasensitive driving characteristics respond immediately to any obstacle, thereby ensuring excellent protection as a rule. Additional safety sensors may not be required as the sliding door operator, if realised as Low-Energy application in accordance with DIN 18650 (German Industrial Standard), ANSI (American Standard) and BSI (British Standard), may even be operated without sensors.

Functions

No matter if you would like to open the door in a full automatic way via motion detector, manually, via pushbutton or if you would like to adjust the door so that it is permanently open, the CS 80 MAGNEO already provides a large range of standard functions. It may be activated via pushbutton, radar motion detector, radio remote control, Push&Go, manually and adjusted to Permanent Open Function.

Mounting

In many cases, mounting the CS 80 MAGNEO does not require any specialist knowledge. Comprehensive mounting and operating instructions mean that the mounting be performed by the glass, metal and timber worker or the competent layman.





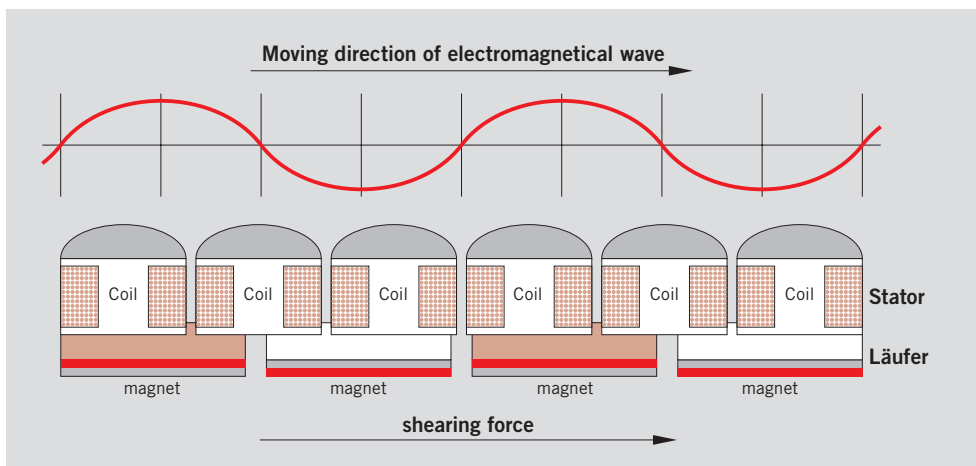
MAGNETIC TECHNOLOGY IS SILENT MAGNEO WILL GIVE THE PROOF

A technology is suitable for everyday business if you hardly notice it: thanks to its almost noiseless and reliable function.

The CS 80 MAGNEO is driven by the magnetic and thus contactless shear wave of a linear DC motor – a movement that perfectly matches the movement of a sliding door.

The functional principle of the CS 80 MAGNEO is simple: Its silent operating behaviour makes the system especially suitable for areas where a low noise level is required: Everywhere.

The functional principle of MAGNEO



CS 80 MAGNEO – OUR RANGE...

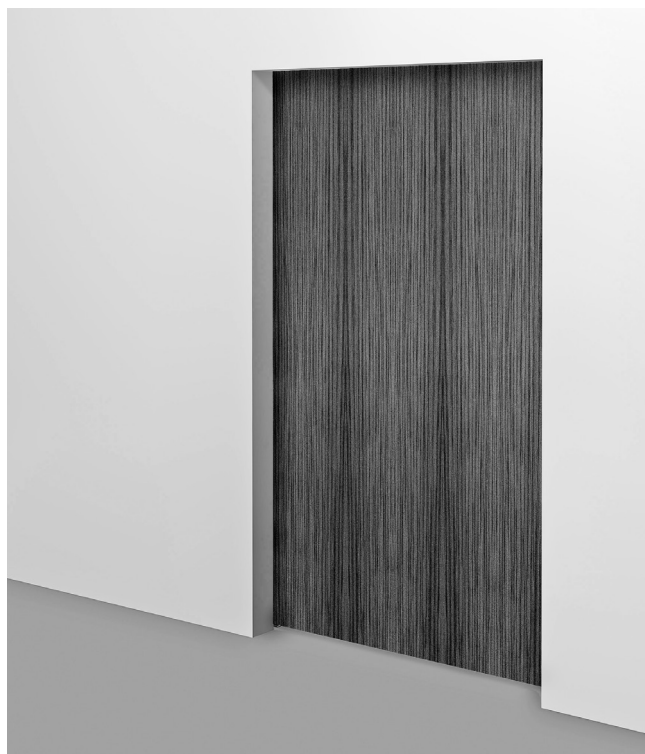
Glass door/MANET single-point fixings (on-wall)



Glass door/glass clamping rail (on-wall)



Wooden door/frame door (in-wall)



Glass door/glass clamping rail (in-wall)



Wooden door/frame door (on-wall)



CS 80 MAGNEO is a modular system consisting of door kits, cover and fixings kits, the CS 80 MAGNEO operator and accessories. The system allows virtually any door to be configured as an automatic sliding door. The overview shows the options available.

SELF-SERVICE PROVIDES HIGH COMFORT



The CS 80 MAGNEO is easy to handle. This automatic sliding door operator offers all important standard functions and various special functions for your convenience.

User comfort that will open doors for you: either in a full automatic way via motion detector, pushbutton (either with cable or wireless), radio remote control or with the aid of our smooth Push&Go Function. No matter how you open the door – all functions are freely selectable: the hold-open time, Permanent Open and automatic closing.

Very simple and simply beautiful!

SERIES FUNCTIONS AS STANDARD



Push&Go

The door opens as soon as the door is slightly pushed in opening direction by hand and closes automatically on expiry of the individually adjustable hold-open time.



Manual access

Although the CS 80 MAGNEO is a full-automatic operator, it may effortlessly be opened and closed manually in the event of a power failure.



“SoftMotion“ safety

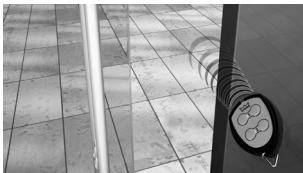
The system is delivered in Low-Energy-Mode as standard so that the door will stop and reverse automatically on the slightest contact.

PLENTY OF ACCESSORIES FOR THOSE WHO WANT EVEN MORE



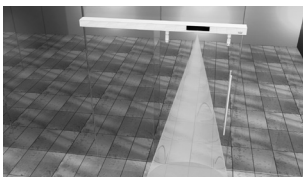
Pushbutton

The CS 80 MAGNEO is activated via pushbutton. The sliding door will close automatically as soon as the user has passed the door system.



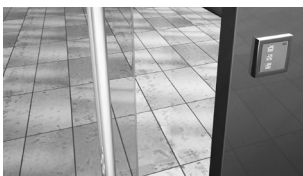
Radio remote control

A CS 80 MAGNEO operator with a BRC radio remote system may be opened and closed with the aid of a BRC-H radio remote control.



Motion detector

An ArtMotion motion detector is suitable to open the CS 80 MAGNEO in a full-automatic way.



Program switch

You may comfortably switch between the different operation modes (Automatic, Permanent Open and manual operation) with the aid of the internal program switch or the wall-mounted EPS-S3 program switch.

A FOLDING RULE IS ENOUGH TO PLAN THE SYSTEM



Operator length and driving path

The length of the CS 80 MAGNEO operator depends on the length of the door's driving path (F) – which describes the distance the door has to cover for its opening or closing cycle. The respective formula is blindingly easy:

$$\text{Passage width DB} + \text{Door panel projection } A^B = \text{Driving path F}$$

Available lengths LV 1-3

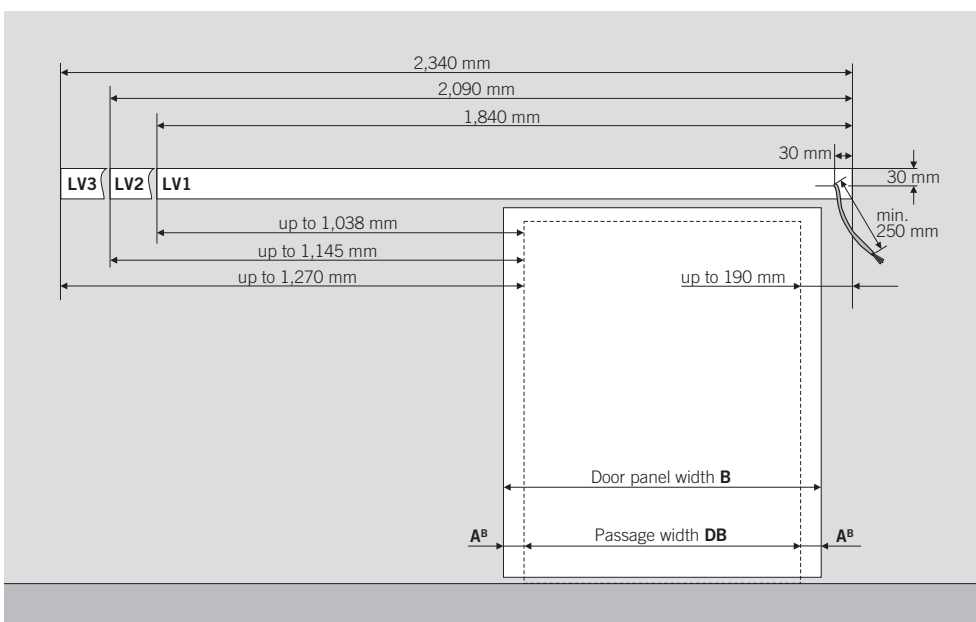
We offer the CS 80 MAGNEO in three different lengths:

- LV1** for driving paths F of up to 875 mm,
- LV2** for driving paths F of up to 1,000 mm,
- LV3** for driving paths F of up to 1,125 mm.

A^B = door panel projection

The door panel projection is freely selectable. It may however not exceed 65 mm and is calculated with the aid of the passage width DB and the door panel width B:
 $(\text{Door width B} - \text{DB}) / 2 = A^B$

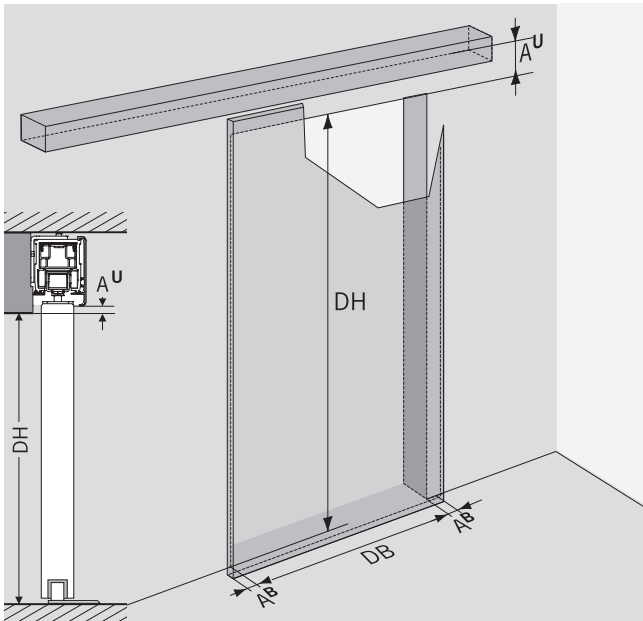
Place requirement for operator including cover + end caps



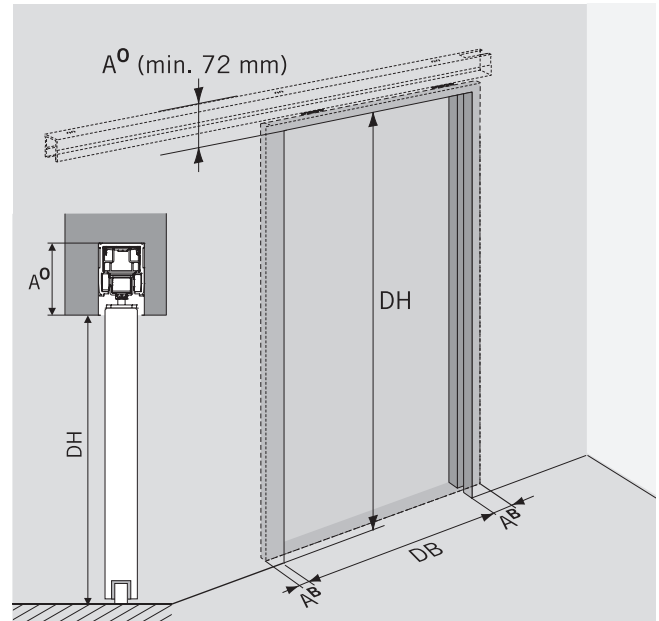
The sliding door on the drawing opens to the left side, thus the power supply is connected on the right side of the door (mains connection 3 x 1.5 mm²). The power supply of door systems opening to the right thus has to be realised on the left side of the operator.

REACH YOUR TARGET WITH THE PROPER DIMENSIONS

On-wall mounting



In-wall mounting



Power supply

The opening direction of the sliding door determines where the power supply (mains connection) is connected at the CS 80 MAGNEO. The cable that comes out of the wall should at least be 250 mm long. See drawing at bottom of page 8.

A^U = Bottom edge of operator

A^U describes the distance between the bottom edge of the CS 80 MAGNEO operator and the passage. You may select the dimension according to your requirements and will require it when planning your CS 80 MAGNEO as an on-wall mounted version.

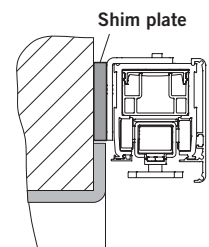
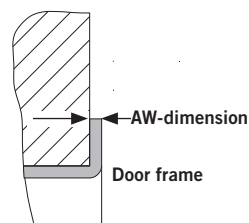
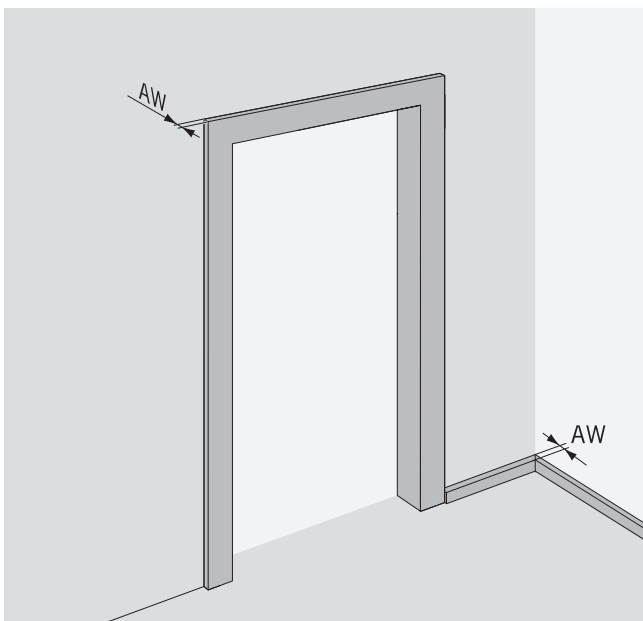
DH & DB

The passage height DH and the passage width DB have to be determined when planning an automatic CS 80 MAGNEO sliding door system.

A^0 = Upper edge of operator

A^0 describes the distance between the upper edge of the operator and the passage. You may select the dimension according to your requirements and will require it when planning your CS 80 MAGNEO as an in-wall mounted version.

CS 80 MAGNEO systems with door frame or baseboard projection (AW-dimension)



Is there a door frame or baseboard? If so, how big is the projection of the frame/baseboard with regard to the surface of the wall (AW) at its biggest point? In case the AW -dimension (projection) is bigger than 3 mm, you will have to shim the

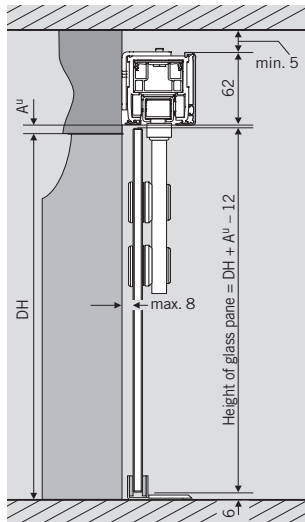
CS 80 MAGNEO operator. DORMA offers a special shim plate for this purpose. In case the AW -dimension (projection) is bigger than 15 mm, the operator additionally has to be shimmed by others.

THAT'S ALL YOU NEED – REQUIRED INSTALLATION DIMENSIONS

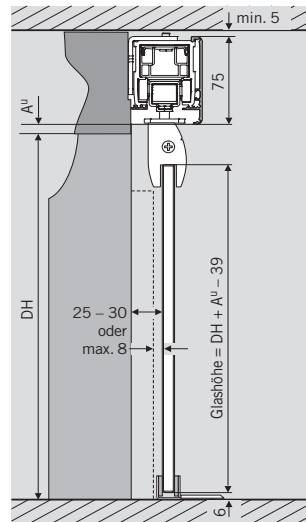
When planning an automatic CS 80 MAGNEO door system, you may for example start with the door panel in order to create a smooth look with regard to the passage or to use an existing door panel.

It is often reasonable to concentrate the planning on the fixing points of the operator as the fixing options provided by others are limited.

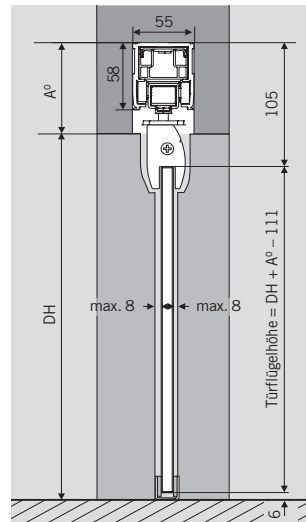
Glass door / MANET single-point fixings (on-wall)



Glass door / glass clamping rail (on-wall)



Glass door / glass clamping rail (in-wall)



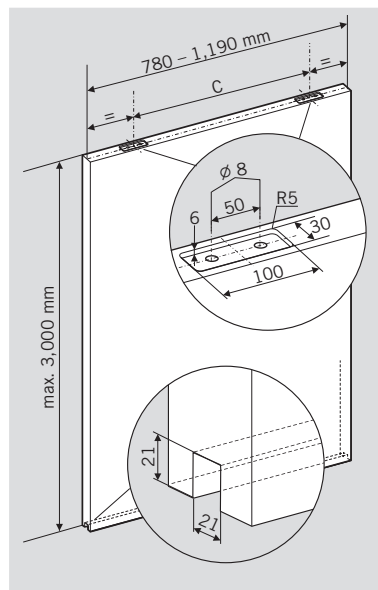
GLAZIERS AND JOINERS SHOULD KEEP THESE DIMENSIONS IN MIND.

How to order the door panel

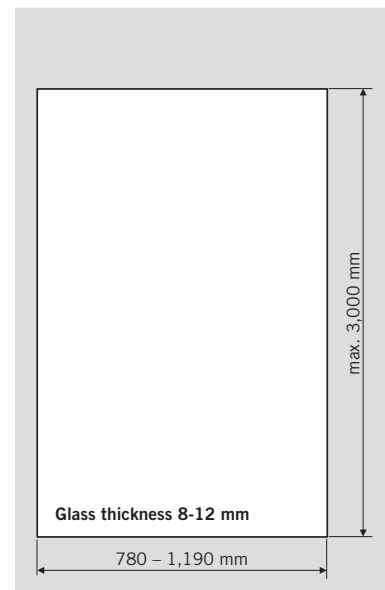
The door panel is not a system component of the CS 80 MAGNEO modular system, you may place your order with a glazier or joiner.

- **Door panel width** is freely selectable between 780 mm and 1,190 mm. The door panel projection (A^B) must however not exceed 65 mm. (See page 8)
- **Door panel height** is freely selectable (max. 3,000 mm) and calculated with the aid of the mounting height of the operator.
- **Glass door panels** have to be made of safety glass and all glass edges have to be rounded off.
- **Door panel weight** may amount to between 20 and 80 kg.
- Wooden door panels and glass doors with MANET single-point fixings must be provided with drill holes and recesses before the system is mounted. The required **C-dimension** results from the prevailing length version (LV) of the operator:
LV 1: C = 575 mm
LV 2: C = 700 mm
LV 3: C = 825 mm

Preparation of wooden door panel



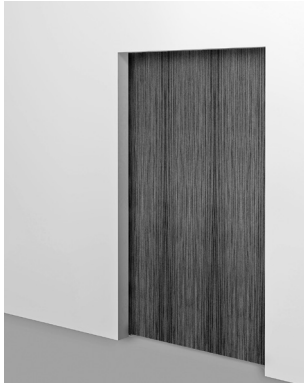
Glass door panel with glass clamping rail



Wooden door / frame door
(on-wall)



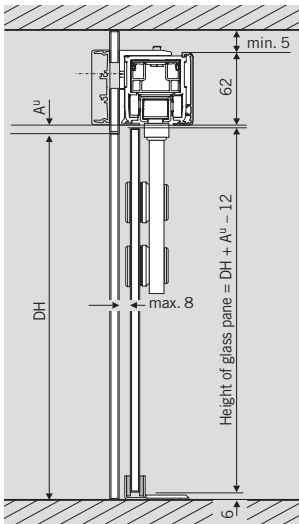
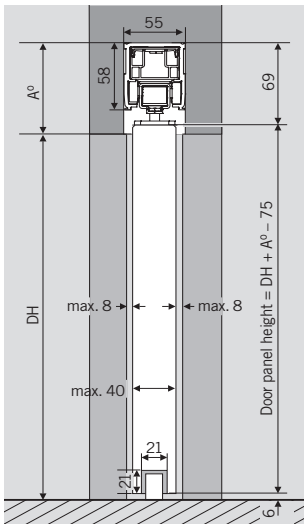
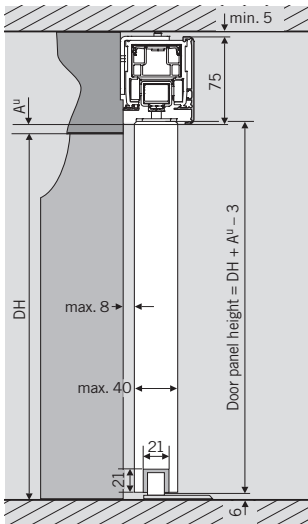
Wooden door / frame door
(in-wall)



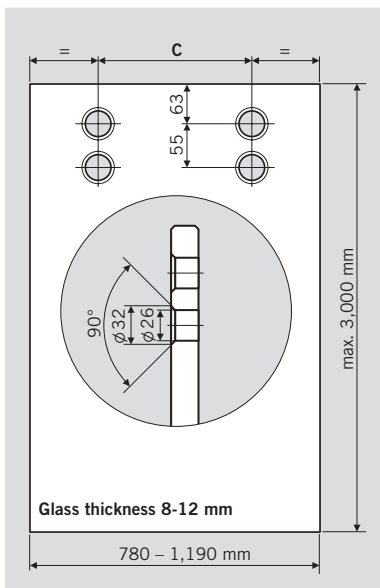
Glass door /
MANET single-point fixings¹⁾
(on glass wall)



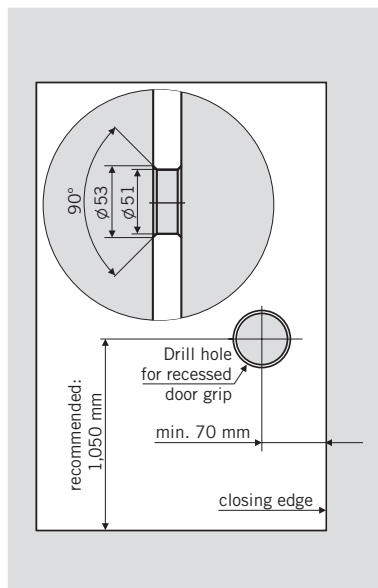
¹⁾ This system may only be planned and mounted by a qualified person. Additional profiles are required to mount the CS 80 operator to glass. Please consult the CS 80 MAGNEO glass mounting leaflet.



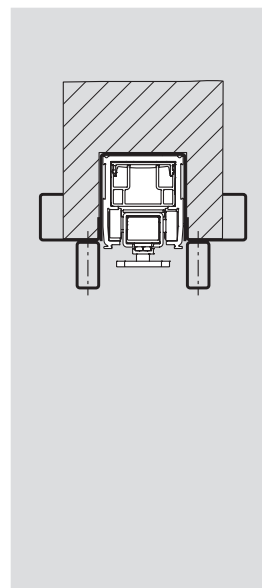
Preparation of MANET glass door panel



Preparation of optional recessed door grip



Hints regarding in-wall mounting



We would recommend covering the door panel connection at the CS 80 MAGNEO operator with profiles so that you will be able to access the operator easily even after the wall has been closed.

WHICH SYSTEM COMPONENTS DO YOU REQUIRE?

**Glass door /
MANET single-point fixings
(on-wall)**



**Glass door / glass clamping rail
(on-wall)**



**Glass door / glass clamping rail
(in-wall)**



LV1 for clear openings up to 875 mm	40CS80802.11LV1	40CS80802.21LV1	40CS80802.31LV1
LV2 for clear openings up to 1000 mm	40CS80802.12LV2	40CS80802.22LV2	40CS80802.32LV2
LV3 for clear openings up to 1125 mm	40CS80802.13LV3	40CS80802.23LV3	40CS80802.33LV3

The CS 80 MAGNEO system.

Choose your system and required length based on your installation requirements: The CS 80 MAGNEO operator door kit contains all the necessary components needed to complete the installation apart from the door leaf and activation devices.

Determining the required length version LV1 to LV3

The operator length is determined by the required clear opening.

LV1 for driving paths F of up to 875 mm

LV2 for driving paths F of up to 1,000 mm

LV3 for driving paths F of up to 1,125 mm

Driving path F = passage width DB + door panel projection A^B

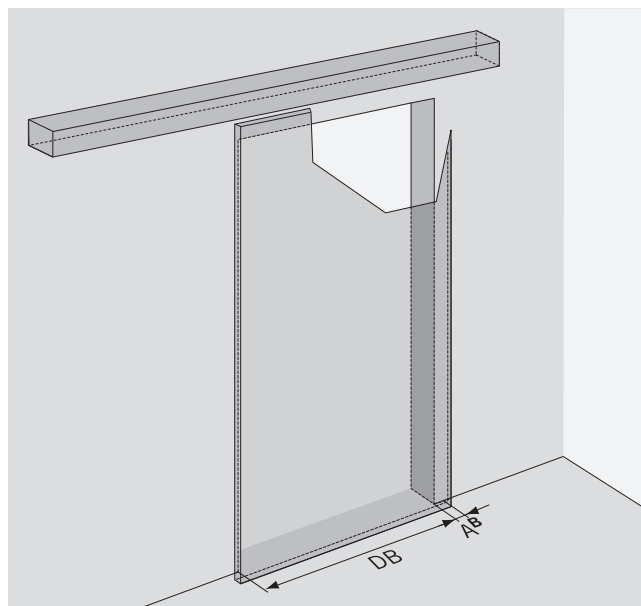
DB =

A^B =

F =

LV1 LV2 LV3

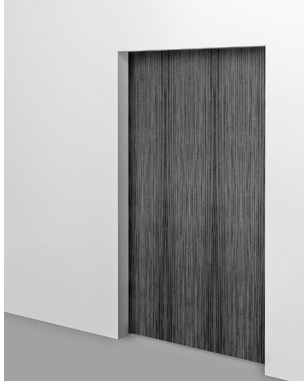
Clear opening: on-wall mounting



Wooden door / frame door
(on-wall)



Wooden door / frame door
(in-wall)



Glass door /
MANET single-point fixings¹⁾
(on glass wall)



¹⁾ This system may only be planned and mounted by a qualified person. Additional profiles are required to mount the CS 80 operator to glass. Please consult the CS 80 MAGNEO glass mounting leaflet.

40CS80802.41LV1

40CS80802.51LV1

40CS80802.11LV1

40CS80802.42LV2

40CS80802.52LV2

40CS80802.21LV2

40CS80802.43LV3

40CS80802.53LV3

40CS80802.31LV3

CS 80 MAGNEO: Risk for the facility operator and risk assessment

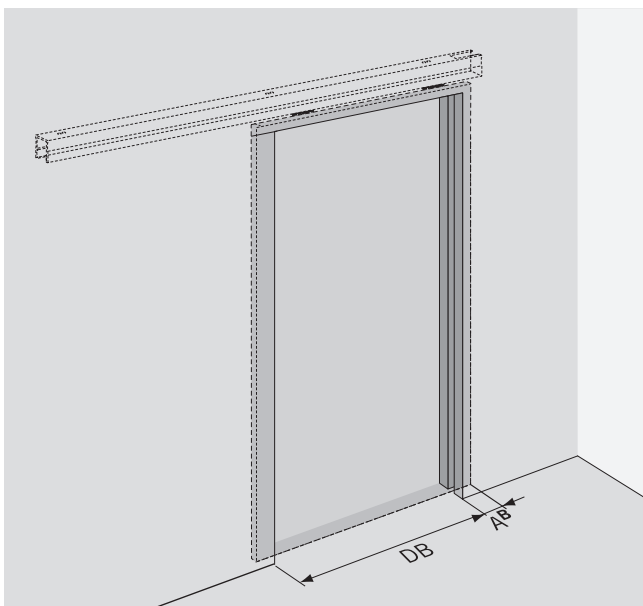
The risk of crushing, shearing, hitting and drawing-in may not be excluded at automatic doors. When the system is delivered (in Low-Energy-Mode), the CS 80 MAGNEO meets the requirements of BS 7036.

By complying with the provisions, such as reduced driving speeds and contact forces, the system generally provides a high safety standard so that sensors are not required as a rule. At the discretion

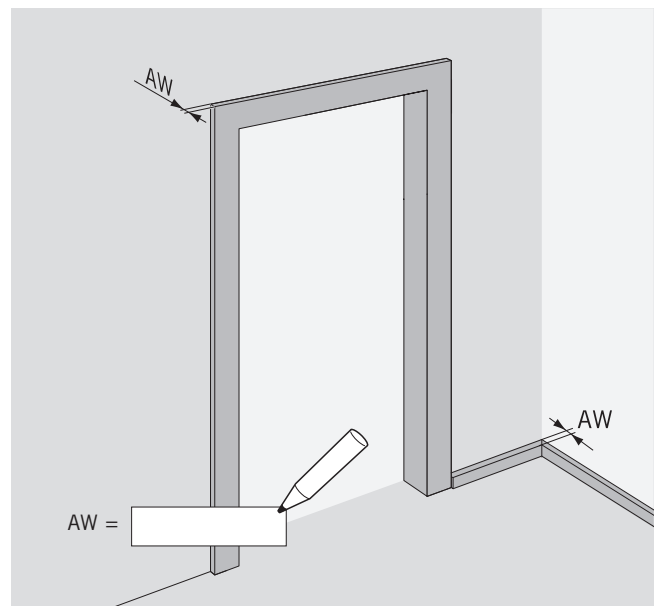
of the operator or installer and depending on the spatial conditions and the persons using the door, it may be advisable to use safety sensors even when the system is operated in Low-Energy-Mode, for instance if being used by children or older persons.

For this purpose, a risk assessment must be carried out by a specialist firm when the door system is being planned and commissioned. It is at the operator's discretion whether or not a safety device is actually installed.

Clear opening: in-wall mounting



Determining the maximum AW-dimension (projection)



Technical specifications		
Operator length	without cover	with cover
Length version LV1	1,750 mm	1,840 mm
Length version LV2	2,000 mm	2,090 mm
Length version LV3	2,250 mm	2,340 mm
Operator height		
With MANET single-point fixings		62 mm
With glass clamping rail		75 mm
With wooden door panel		75 mm
Overall depth		
On-wall mounting (ohne Futterplatte)		60 mm
In-wall mounting (nur operatorsprofil)		50 mm
Operator weight		
Length version LV1		8.6 kg
Length version LV2		9.4 kg
Length version LV3		10.2 kg
Speed		0.2 – 0.6 m/s
The speed is calculated with the aid of the driving path and the door panel weight. During the commissioning, the system will adjust automatically in accordance with the prevailing standards and regulations.		
Power supply	220–230 V AC ± 10% 50/60 Hz	
Fuse protection, by others	10 A	
Power consumption		
Stand-by-mode		3.7 W
Automatic Function		max. 60 W
Class of protection	IP 20	
Temperature range	0 – 40 °C	
Operating noise	max. 55 db (A)	
Measured at test setup. The noise level depends on the door and the prevailing substructure.		
Low-Energy-Mode	●	
Compliant with DIN 18650, ANSI, BSI	●	
Manufactured to ISO 9001:2000	●	
Connectable accessory	●	
Pushbutton, radio remote control and radio switch	●	
Motion detector	●	
External program switches	●	
Safety sensors for main and secondary closing edge	●	
● = yes ○ = optional	●	

CS80 MAGNEO Low Energy Sliding Door Operators



CS80 MAGNEO 2.1 (on-wall MANET)
LV1 40CS802.11LV1
LV2 40CS802.12LV2
LV3 40CS802.13LV3
 Consists of:
 CS80 Operator
 Cover kit/fixing kit for MANET
 Shim plate complete
 Set of wall connection profiles
 MANET door kit
 Mains cable 230v with plug



CS80 MAGNEO 2.2 (on-wall Clamping Rail)
LV1 40CS802.21LV1
LV2 40CS802.22LV2
LV3 40CS802.23LV3
 Consists of:
 CS80 Operator
 Cover kit/fixing kit for glass clamping rail/wooden door panel
 Door kit: glass clamping rail (Silver Anodised)
 Set of wall connection profiles
 Mains cable 230v with plug



CS80 MAGNEO 2.3 (in-wall Clamping Rail)
LV1 40CS802.31LV1
LV2 40CS802.32LV2
LV3 40CS802.33LV3
 Consists of:
 CS80 Operator
 Door kit: glass clamping rail (Silver Anodised)
 Mains cable 230v with plug

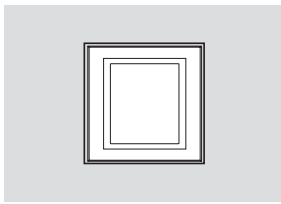


CS80 MAGNEO 2.4 (on-wall Timber)
LV1 40CS802.41LV1
LV2 40CS802.42LV2
LV3 40CS802.43LV3
 Consists of:
 CS80 Operator
 Cover kit/fixing kit for glass clamping rail/wooden door panel
 Door kit for wooden door panels
 Set of wall connection profiles
 Mains cable 230v with plug

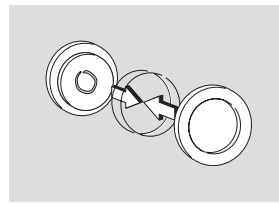


CS80 MAGNEO 2.5 (in-wall Timber)
LV1 40CS802.51LV1
LV2 40CS802.52LV2
LV3 40CS802.53LV3
 Consists of:
 CS80 Operator
 Door kit for wooden door panels
 Mains cable 230v with plug

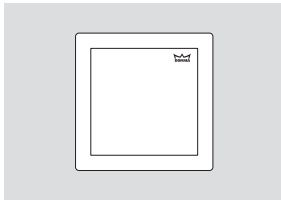
CS80 MAGNEO Accessories



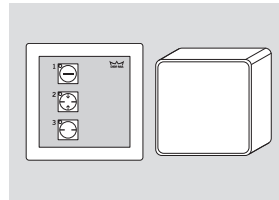
Comfort switch
 Consists of:
 2 wireless wall switches
 1 receiver
 White 40COMFORTSW



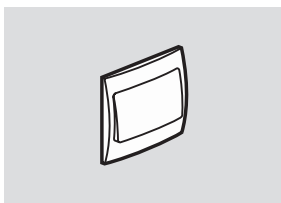
Recessed door grip
 For wooden or glass doors
 Stainless steel 84020100



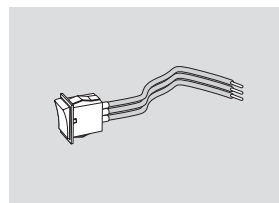
Premium switch
 Consists of:
 2 wireless wall switches
 2 wall switch frames
 1 receiver
 White 40PREMIUMSWW
 Black 40PREMIUMSWB
 Silver 40PREMIUMSWS



External program switch
 With back box
 4016605501150

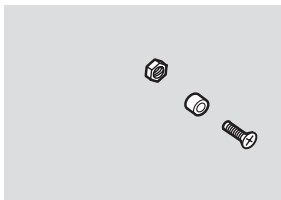


White push button
 Flush mounted
 Note: Must be hard wired
 White 4010005082

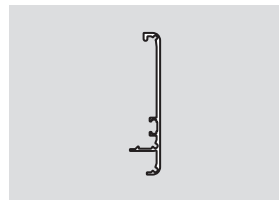


Internal Program Switch
 16610661175

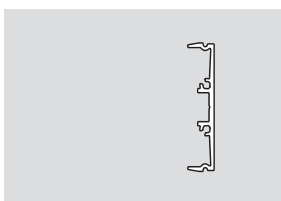
CS80 MAGNEO Profiles Cut to Length



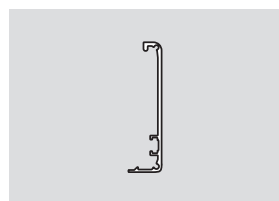
Set for on-wall mounting
 Each (For glass walls)
 84020006



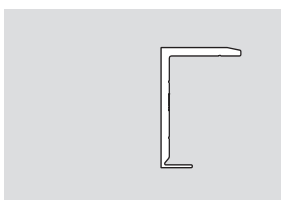
Internal cover 75mm
 (Cut to length)
 Silver 34003002120
 Anodised



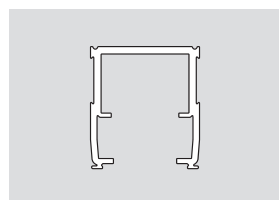
Mounting profile for glass fixing systems
 (Cut to length)
 Silver 34002702120
 Anodised



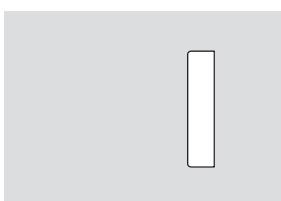
Internal cover 62mm
 (Cut to length)
 Silver 34003102120
 Anodised



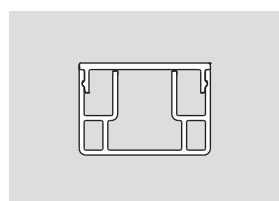
Fixing profile for glass fixing systems
 (Cut to length)
 Silver 34002801120
 Anodised



Operator profile
 Silver 34002502120
 Anodised



Cover profile for glass fixing systems
 (Cut to length)
 Silver 34002902120
 Anodised



Distance profile
 (Cut to length)
 Black 34003401120



DORMA UK Limited
Wilbury Way
Hitchin
Hertfordshire
SG4 0AB

Tel: 01462 477600
Fax: 01462 477601
E-mail: glass@dorma-uk.co.uk
www.dorma-uk.co.uk

DORMA Ireland Limited
PO Box 1050
Maynooth
Co. Kildare

Tel: 01 295 8280
Fax: 01 295 8284
E-mail: dormadublin@dorma.ie
www.dorma.ie